



Extended Warranty  
Sign Up

E-1

# Welcome home!

**ELG-586/596**

**TEAMSON HOME  
Corner Floor Cabinet -  
Shutter Doors**





**Questions? Comments? Need help?  
Call or email us any time!**

## Global Customer Service

**USA**

**+1(800)935-3959**

Mon - Fri 10:00am ~ 2:00pm EST

✉ [support@teamson.com](mailto:support@teamson.com)

**EU/UK**

**+44(0)1952-916-050**

Mon - Thu 9:00am ~ 5:00pm GMT

Friday 9:00am ~ 4:00pm GMT

✉ [support@teamson.co.uk](mailto:support@teamson.co.uk)

**ASIA**

深圳办公室:

**+86(0755)8885-3558.分机号331**

Mon - Sat 9:00am ~ 5:00pm GMT+8

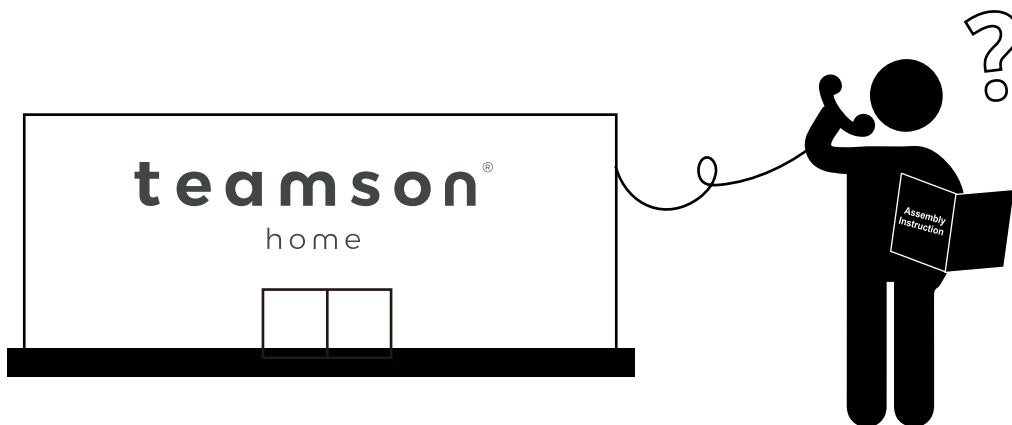
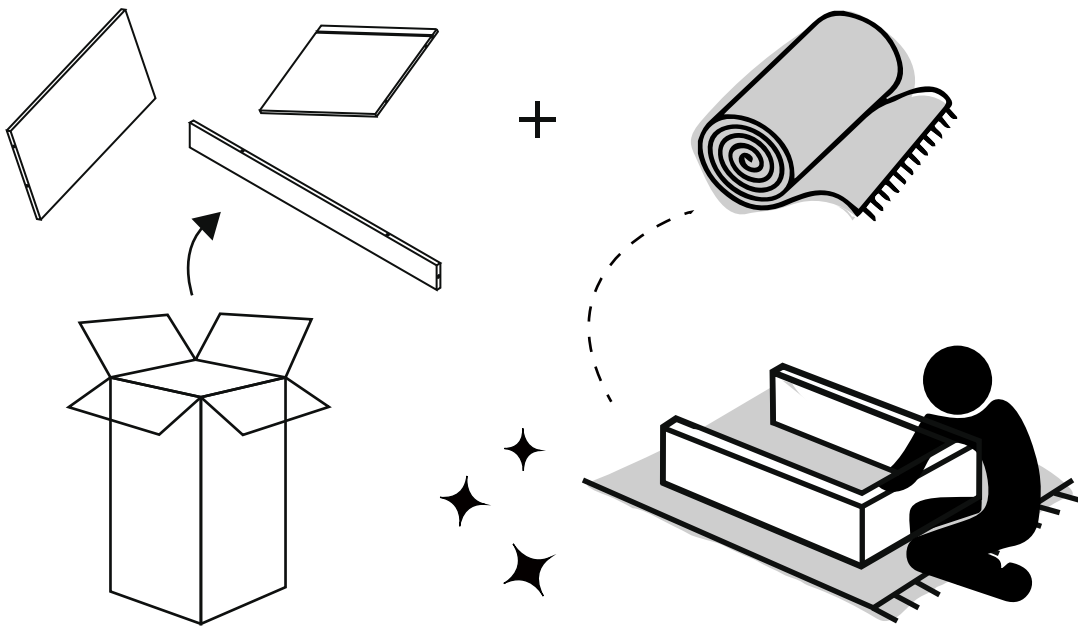
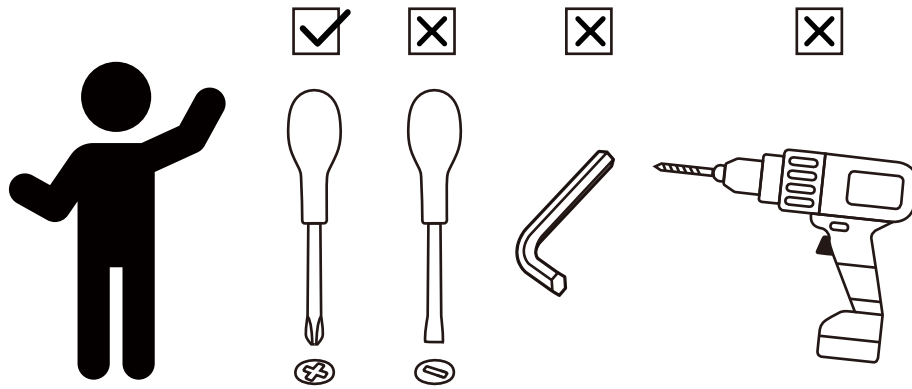
✉ [sales\\_ec@teamson.com](mailto:sales_ec@teamson.com)

台北办公室:

**+886(2)2556-6268**

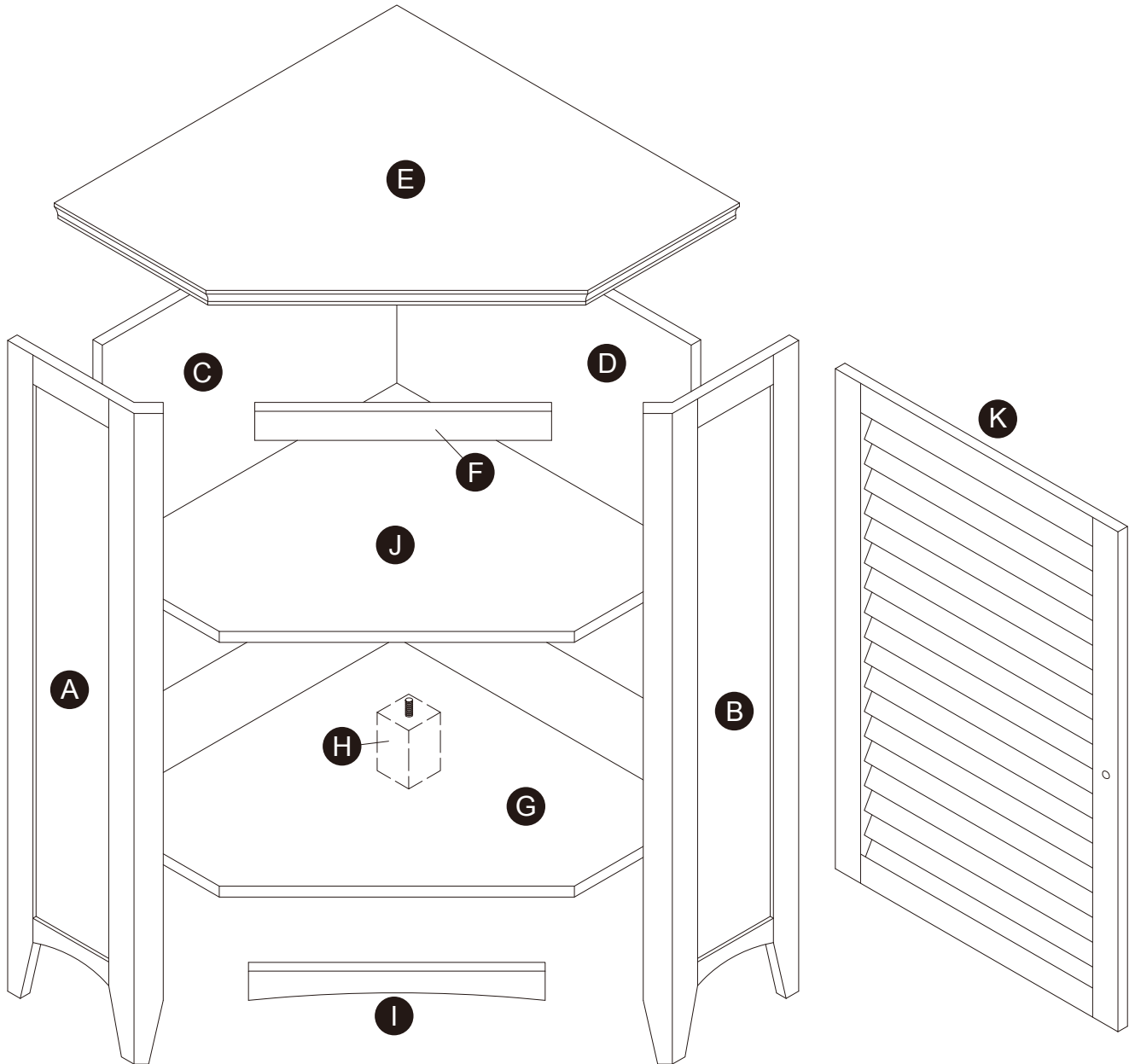
Mon - Fri 9:00am ~ 5:00pm GMT+8

✉ [sales\\_ec@teamson.com](mailto:sales_ec@teamson.com)



\*\* Got questions? Please have your product code (on the first page of this instruction, e.g. TD-12345A) and the order number ready, give us a call or email us through our customer care support! We are always ready to assist you!

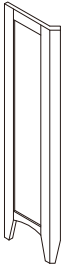
# Exploded Drawing



Scan for assembly instructions.

# Product Parts

A



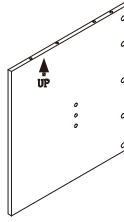
1 PC

B



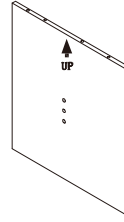
1 PC

C



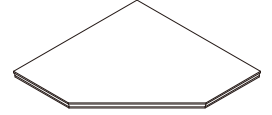
1 PC

D



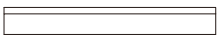
1 PC

E



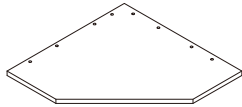
1 PC

F



1 PC

G



1 PC

H



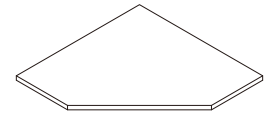
1 PC

I



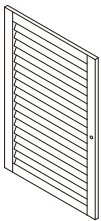
1 PC

J



1 PC

K



1 PC

## ! Care Instructions

Dust surface with a dry soft cloth. Do not use window cleaners or cleaning abrasives as they will scratch the surface and could damage the protective coating

## ! WARNING

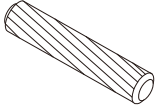
Small parts and sharp edges may be present prior to assembly.



Scan for assembly instructions.

# Hardware

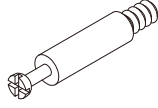
1



Ø8\*30mm

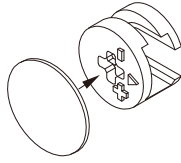
28 PCS

2



20 PCS

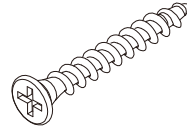
3



Ø15\*12

20 PCS

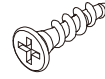
4



Ø4\*25mm

3 PCS

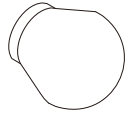
5



Ø3\*12mm

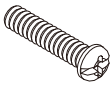
4 PCS

6



1 PC

7



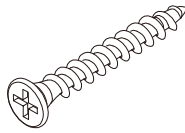
1 PC

8



4 PCS

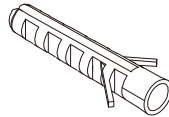
9



Ø4\*25mm

4 PCS

10



2 PCS

11



2 PCS

12




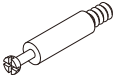
4 PCS



Scan for assembly instructions.

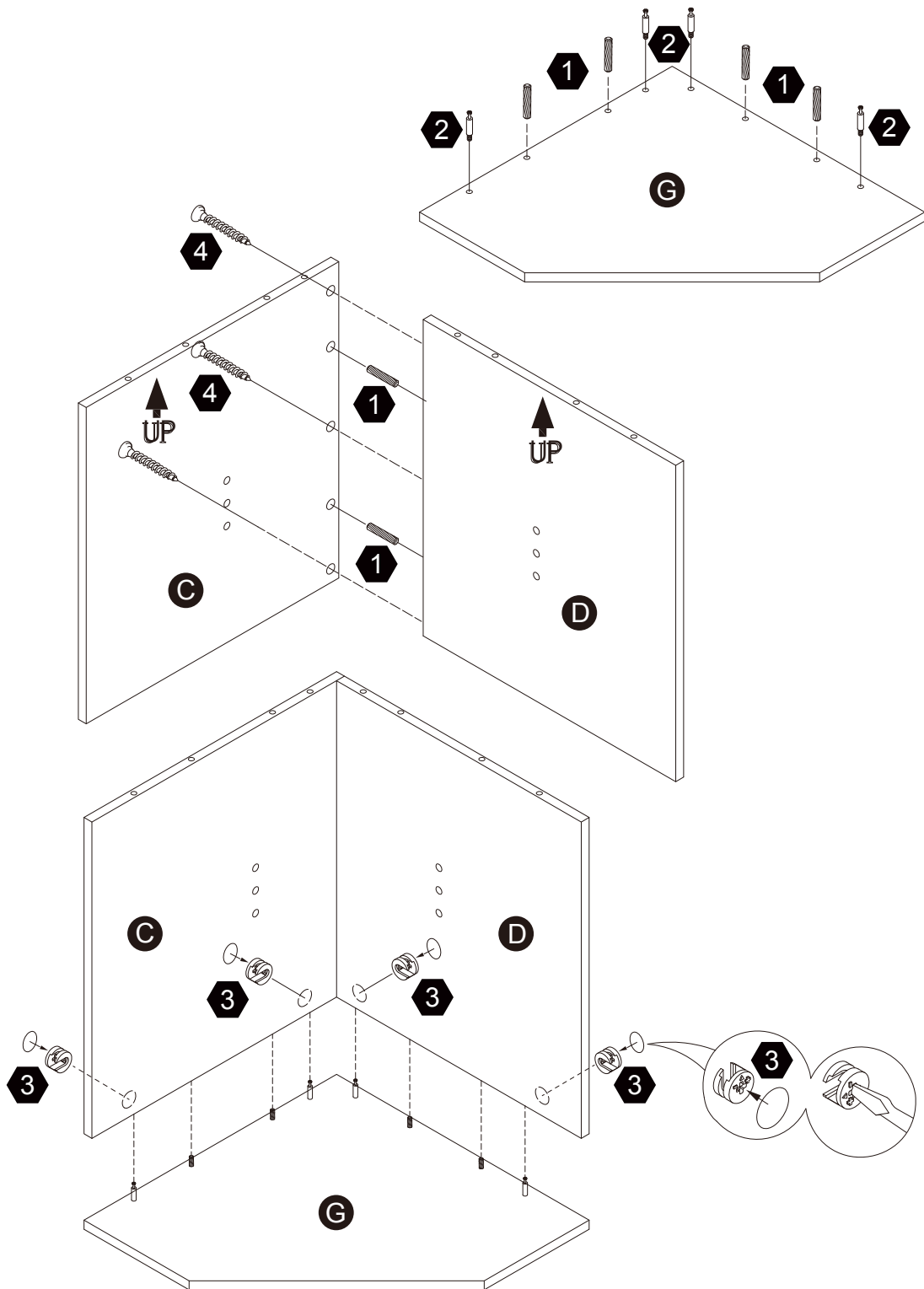
# Step 1

**1**  **6 pcs**  
Ø8\*30mm

**2**  **4 pcs**

**3**  **4 pcs**  
Ø15\*12

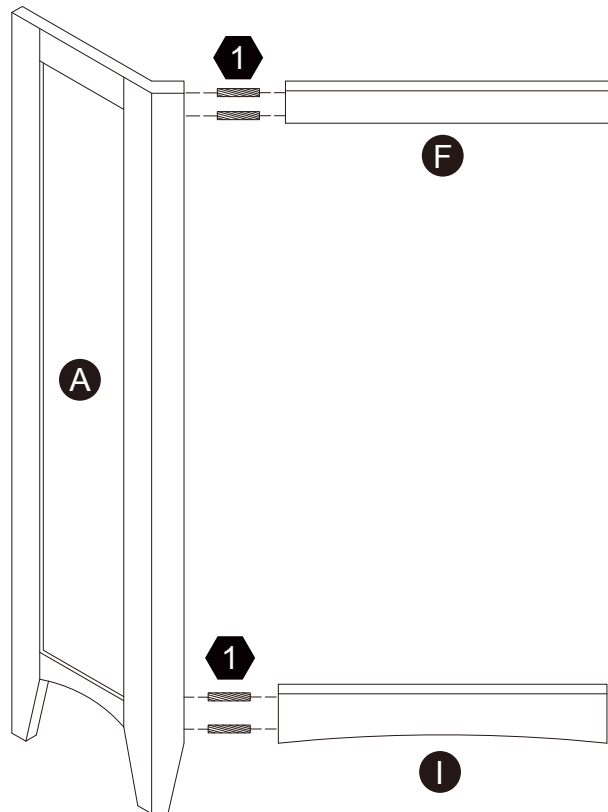
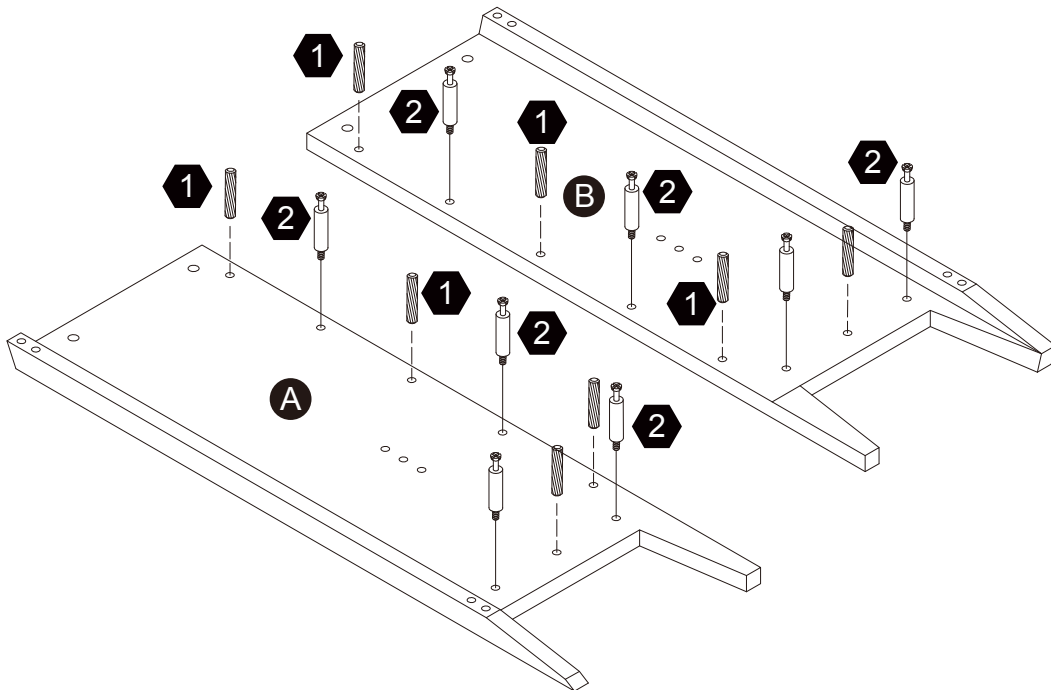
**4**  **3 pcs**  
Ø4\*25mm



Scan for assembly instructions.

## Step 2

**1**   $\varnothing 8 \times 30 \text{mm}$  12 pcs **2**  8 pcs



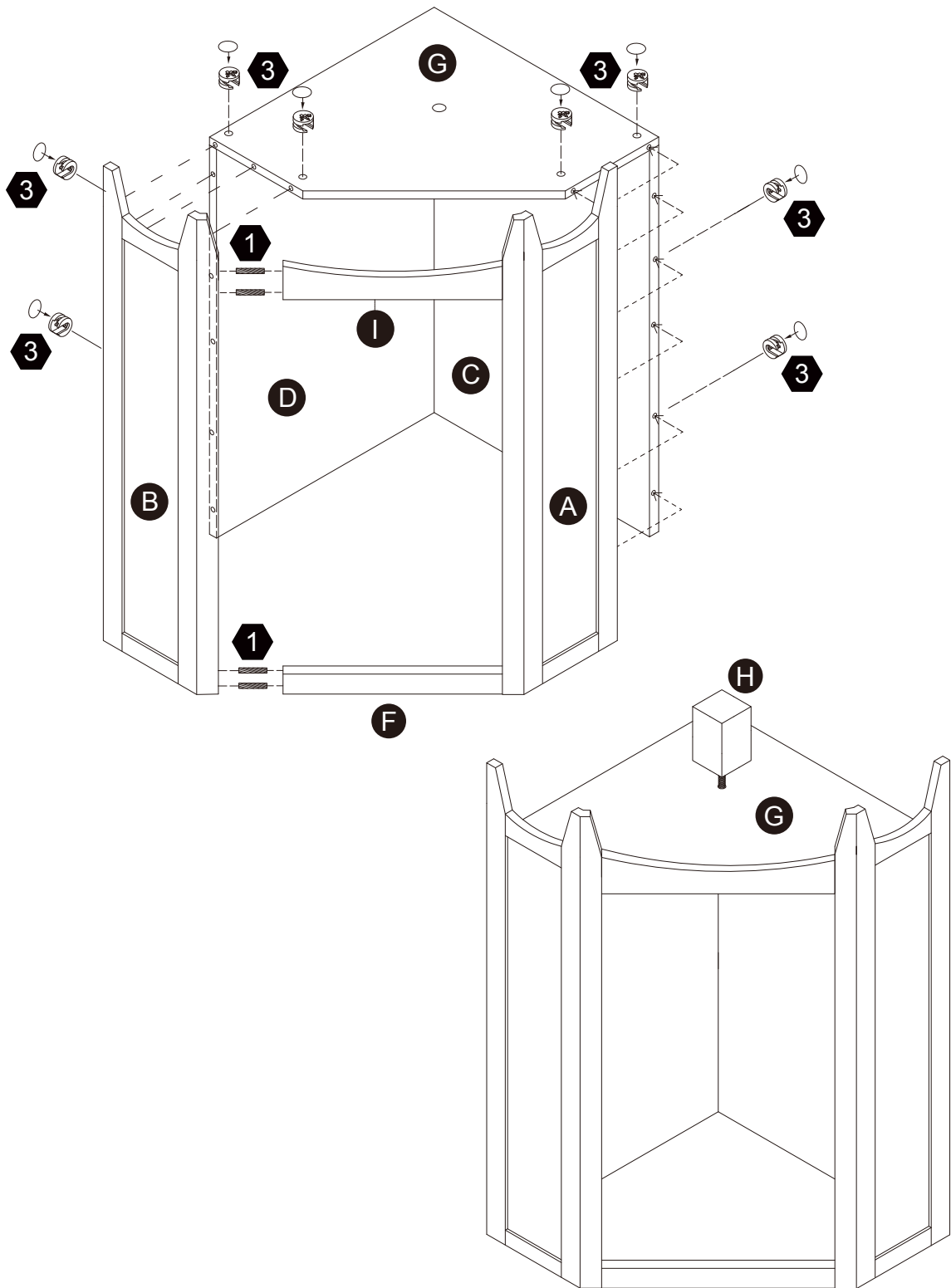
Scan for assembly instructions.



## Step 3

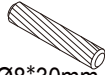
**1**  4 pcs  
Ø8\*30mm

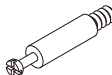
**3**  8 pcs  
Ø15\*12

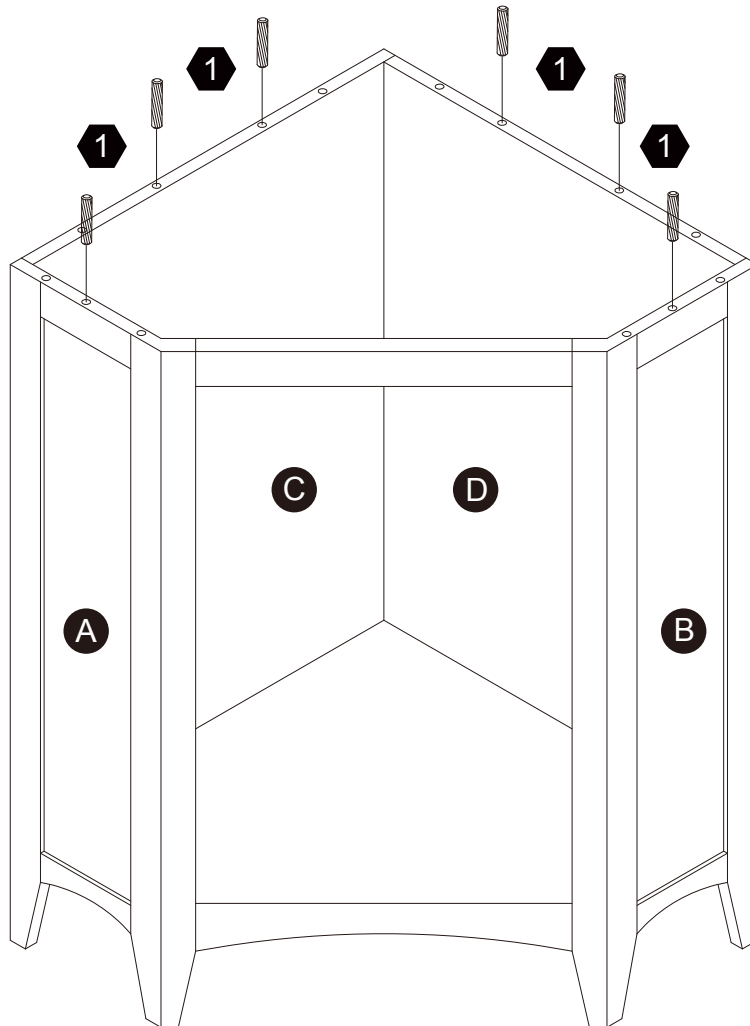
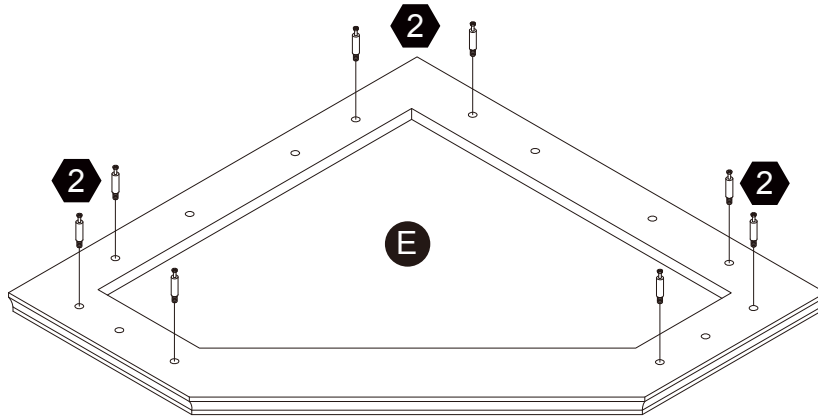


Scan for assembly instructions.

## Step 4

**1**  6 pcs  
Ø8\*30mm

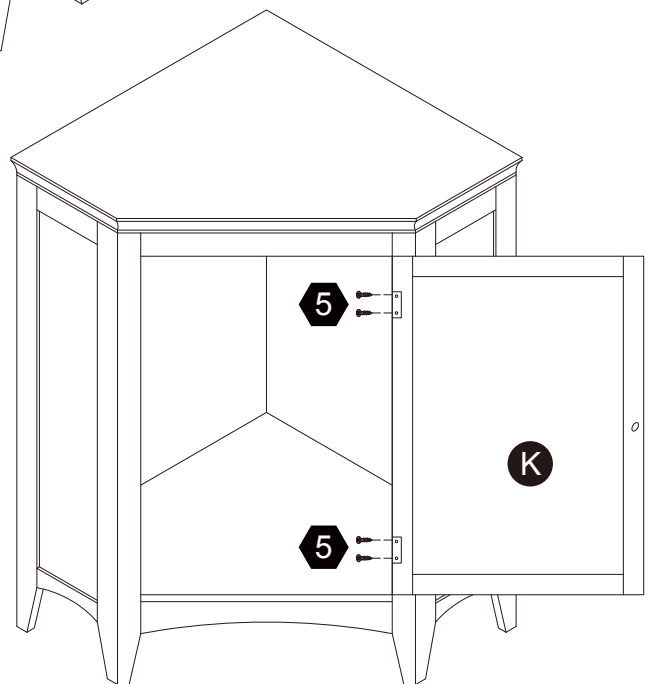
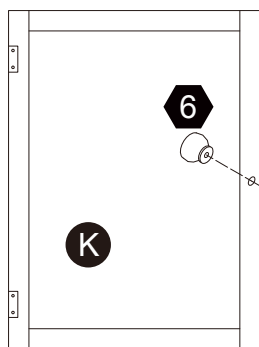
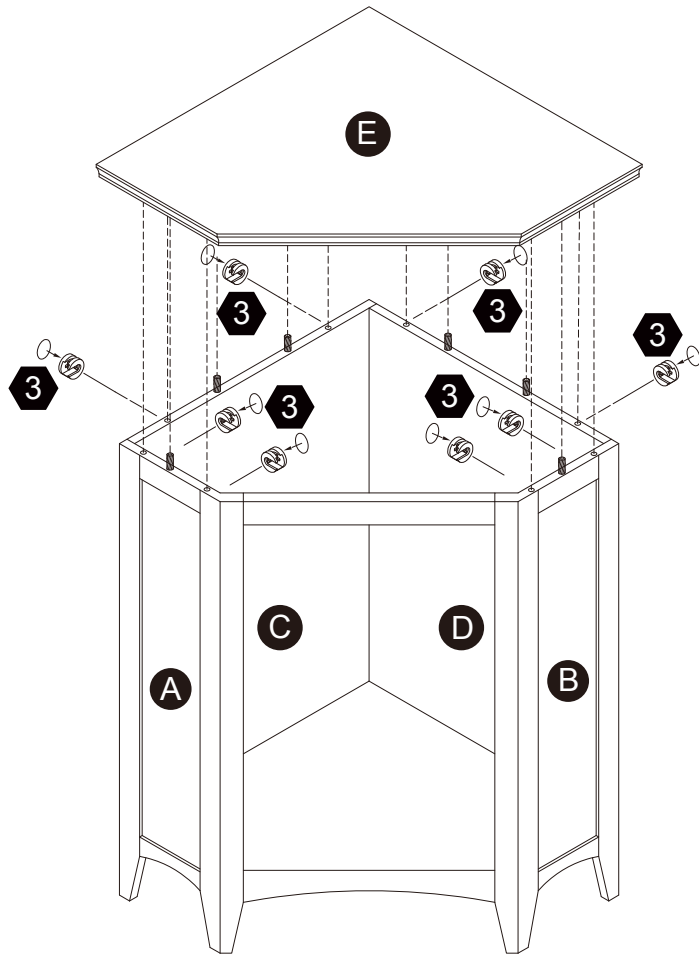
**2**  8 pcs



Scan for assembly instructions.

# Step 5

- 3**   $\text{Ø}15*12$  8 pcs
- 5**   $\text{Ø}3*12$  4 pcs
- 6**  1 pc
- 7**  1 pc



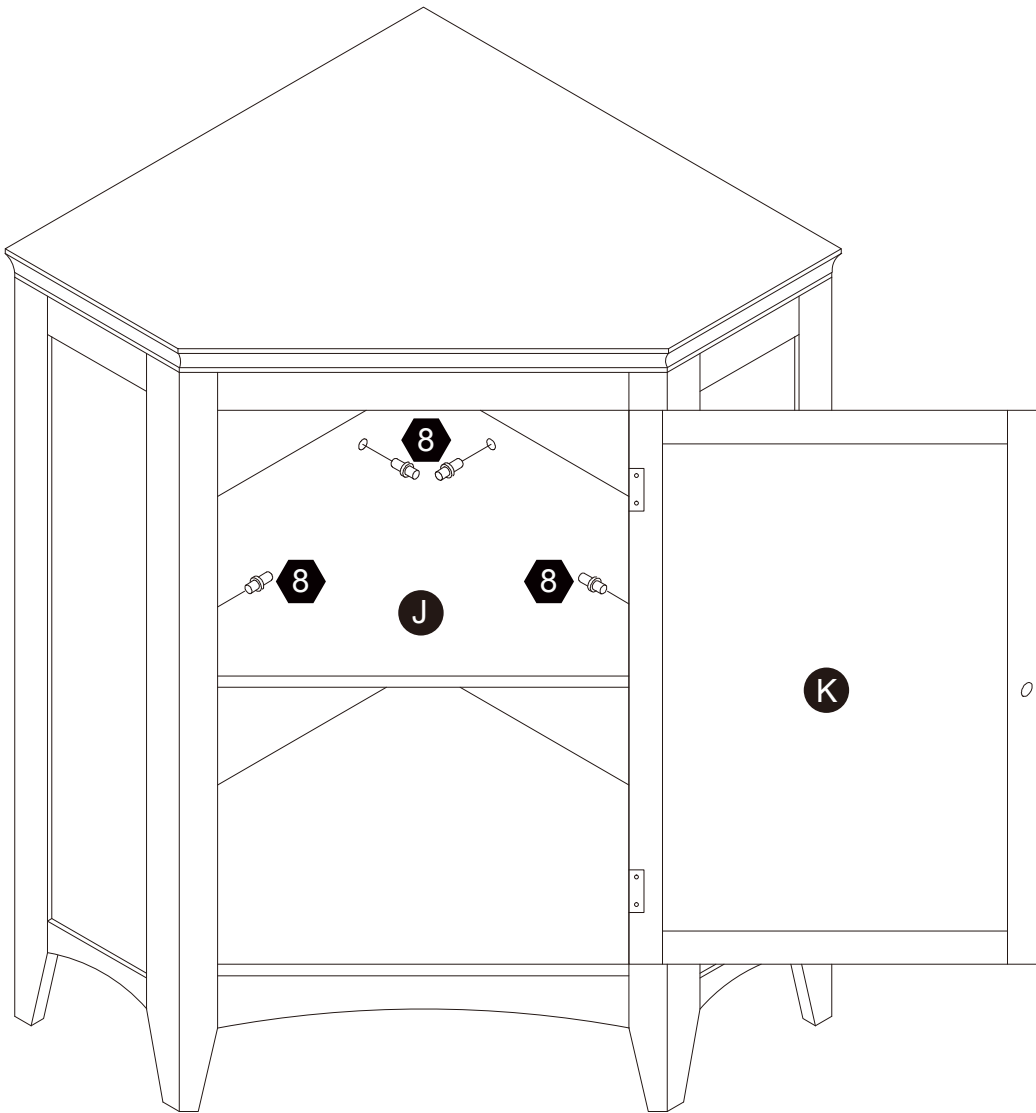
Scan for assembly instructions.

## Step 6

8



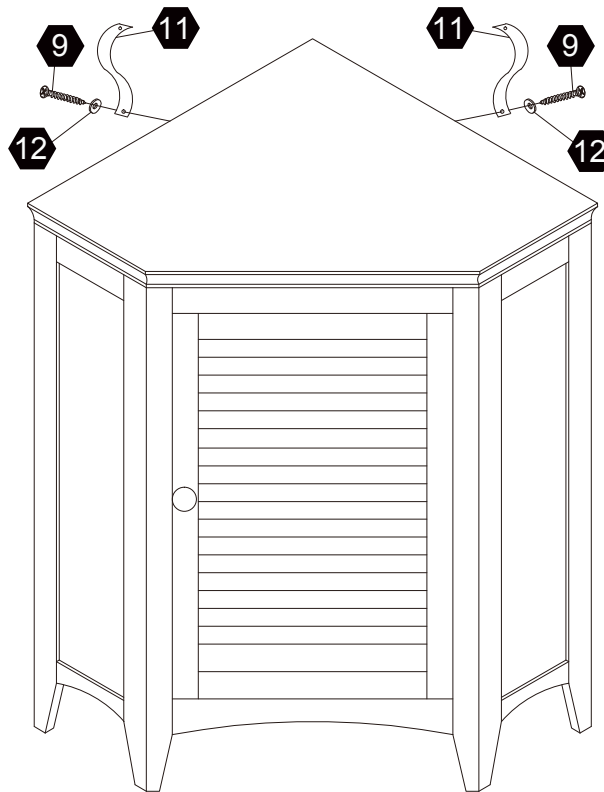
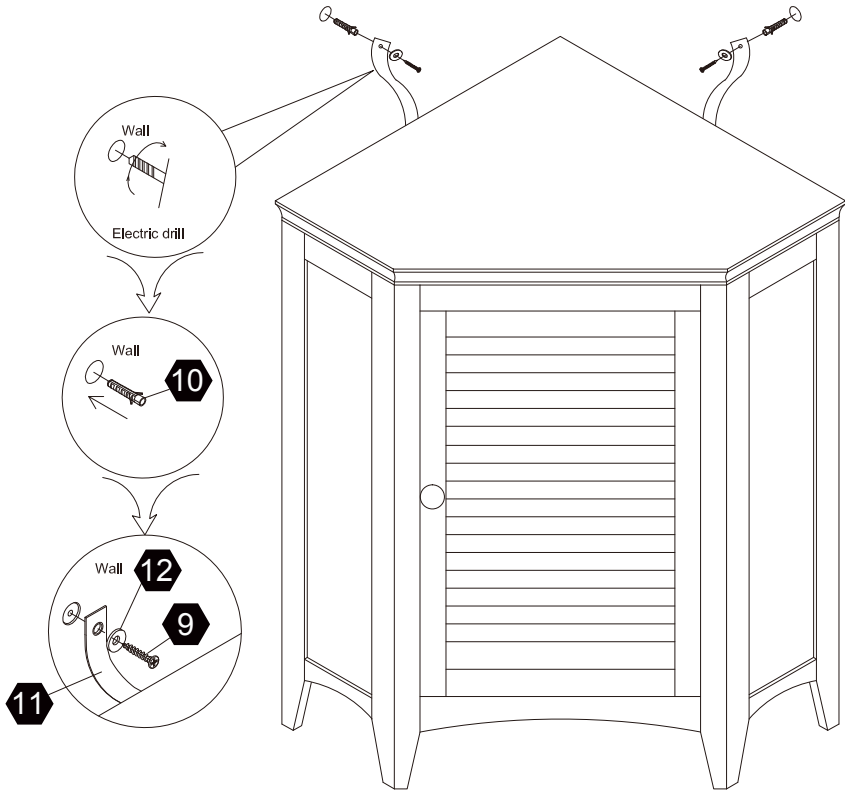
4 pcs



Scan for assembly instructions.

# Step 7

- 9**   $\text{Ø}4*25\text{mm}$  4 pcs
- 10**  2 pcs
- 11**  2 pcs
- 12**  4 pcs



Scan for assembly instructions.