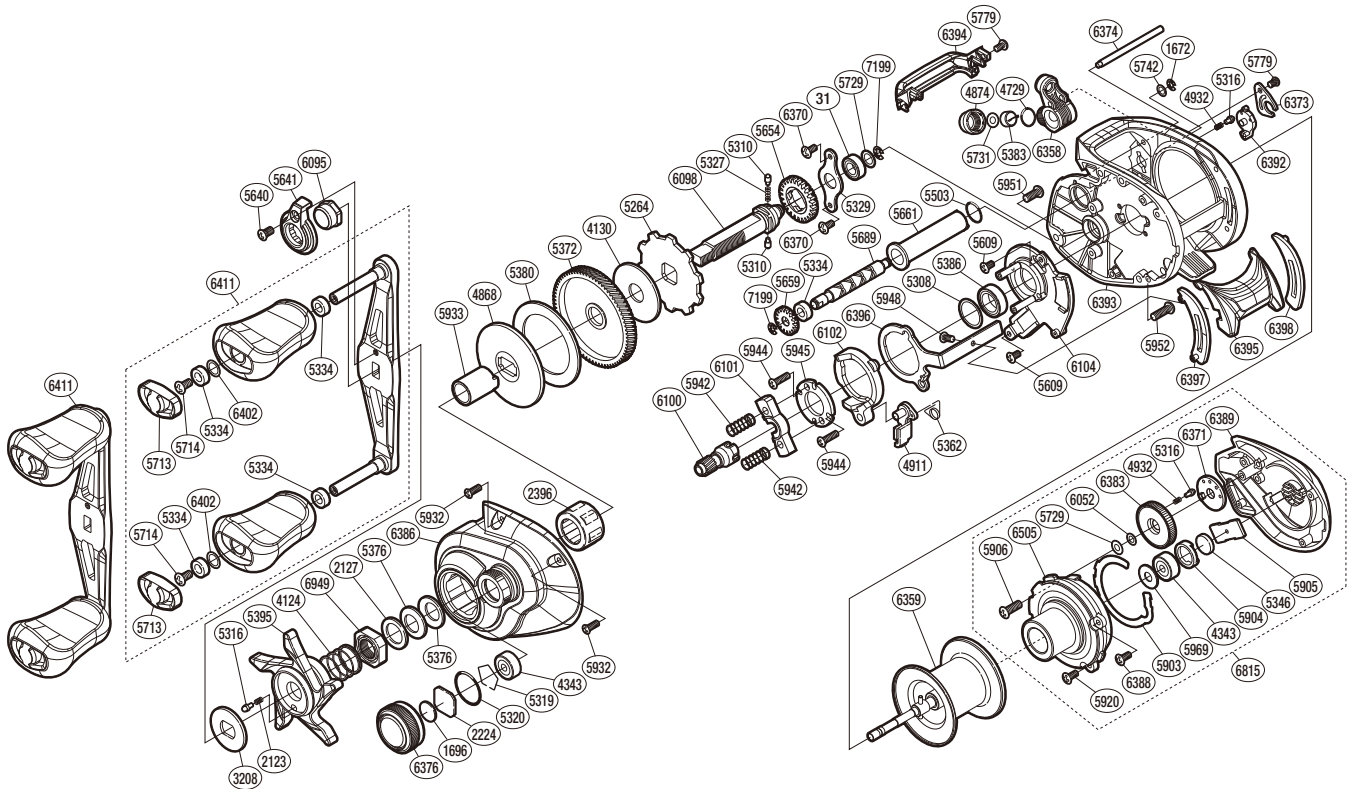


SHIMANO

SLX

SLXDC151XG



(51RL212151X)

| # | Part No. | Description | # | Part No. | Description | # | Part No. | Description |
|------|----------|-----------------------|------|----------|--------------------------|------|----------|----------------------------|
| 0031 | 105BL | Ball Bearing | 5386 | 10EX6 | Ball Bearing | 6095 | 10049 | Handle Nut |
| 1672 | 105NC | E Lock | 5395 | 10R0H | Star Drag | 6098 | 100VZ | Drive Shaft |
| 1696 | 10896 | Cast Control Spacer | 5503 | 101GT | O Ring | 6100 | 100W4 | Pinion Gear |
| 2123 | 10BT2 | Click Spring | 5609 | 10LCT | Screw | 6101 | 10TFA | Yoke |
| 2127 | 10J1N | Star Drag Spacer | 5640 | 101VV | Screw | 6102 | 100W0 | Clutch Cam |
| 2224 | 1085F | Spool Tension Spacer | 5641 | 10SSK | Handle Nut Plate | 6104 | 10DJ8 | Clutch Guard Assembly |
| 2396 | 10F5C | Roller Clutch Bearing | 5654 | 101K8 | Idle Gear | 6358 | 10DZY | Line Guide Assembly |
| 3208 | 10J22 | Star Drag Click Plate | 5659 | 10SRL | Idle Gear | 6359 | 10DZ3 | Spool Assembly |
| 4124 | 10A70 | Star Drag Spring | 5661 | 10SSP | Level Wind Guard | 6370 | 10E23 | Screw |
| 4130 | 10CHX | Drag Washer | 5689 | 10SSS | Worm Shaft | 6371 | 10012 | Click Ring |
| 4343 | 105C3 | Ball Bearing | 5713 | 10SS2 | Handle Knob Seal | 6373 | 100BW | Cam Lever Retainer |
| 4729 | 108WQ | O Ring | 5714 | 10LFA | Screw | 6374 | 10E2G | Stabilizer Bar |
| 4868 | 10D3H | Key Washer | 5729 | 1003V | Washer | 6376 | 100BX | Cast Control Cap |
| 4874 | 10FJB | Pawl Cap | 5731 | 1003S | Spacer | 6383 | 10SDT | Brake Dial |
| 4911 | 10MQM | Clutch Pawl Assembly | 5742 | 10S42 | Washer | 6386 | 10SDJ | Left Side Plate Assembly |
| 4932 | 10GQZ | Click Spring | 5779 | 1055D | Screw | 6388 | 100WT | Screw |
| 5264 | 10D73 | Anti-Reverse Ratchet | 5903 | 10T4P | Washer | 6389 | 100KY | Right Side Plate |
| 5308 | 10190 | Washer | 5904 | 100Q2 | Bearing Retainer | 6392 | 100R9 | Right Side Plate Cam Lever |
| 5310 | 10HJG | Idle Gear Pin | 5905 | 100Q5 | Spool Shaft Spacer | 6393 | 10TC5 | Frame |
| 5316 | 10MFC | Click Pin | 5906 | 10LFN | Screw | 6394 | 10TBZ | Level Wind Protector |
| 5319 | 1054D | Bearing Retainer | 5920 | 100QC | Screw | 6395 | 10TC6 | Clutch Button |
| 5320 | 10R22 | O Ring | 5932 | 10LCY | Screw | 6396 | 10TC7 | Clutch Plate |
| 5327 | 10JDY | Idle Gear Spring | 5933 | 100UC | Roller Clutch Inner Tube | 6397 | 100RH | Clutch Bar Guide B |
| 5329 | 109T1 | Drive Shaft Retainer | 5942 | 100U9 | Yoke Spring | 6398 | 100QX | Clutch Bar Guide A |
| 5334 | 10PXZ | Bushing | 5944 | 10LV0 | Screw | 6402 | 10SDH | Washer |
| 5346 | 10EX5 | Spacer B | 5945 | 100US | Clutch Cam Retainer | 6411 | 10SPL | Handle Assembly |
| 5362 | 10TMC | Clutch Pawl Spring | 5948 | 10LF4 | Screw | 6505 | 10SX1 | B Side Plate Substrate |
| 5372 | 10TMZ | Drive Gear | 5951 | 100UU | Screw | 6815 | 100E2 | Right Side Plate Assembly |
| 5376 | 109F5 | Drag Spring Washer | 5952 | 100UV | Screw | 6949 | 10A3U | Star Drag Nut |
| 5380 | 10R3D | Drag Washer | 5969 | 10B94 | Bearing Seal | 7199 | 105NK | E Lock |
| 5383 | 10BHQ | Line Guide Pawl | 6052 | 100MF | Washer | | | |

Please note that the number of adjusting washers may not be the same as shown in the exploded views.
(Adjustment will vary with each individual product.)