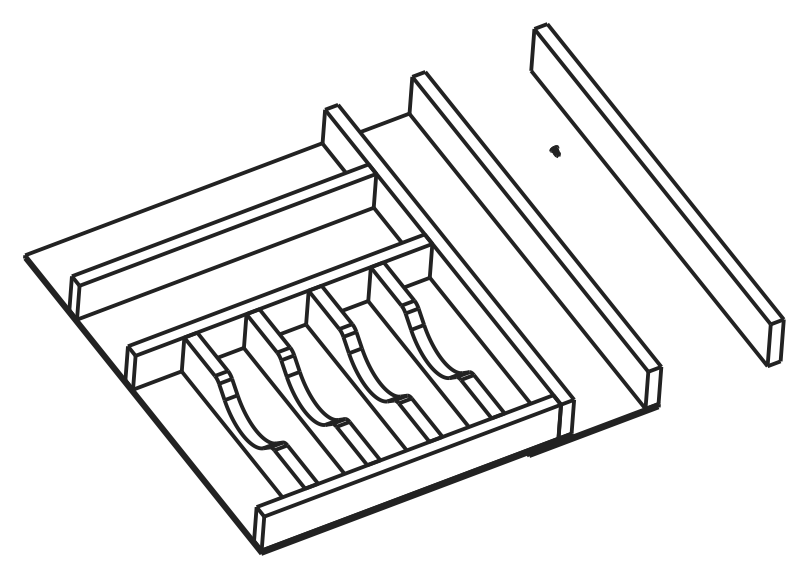
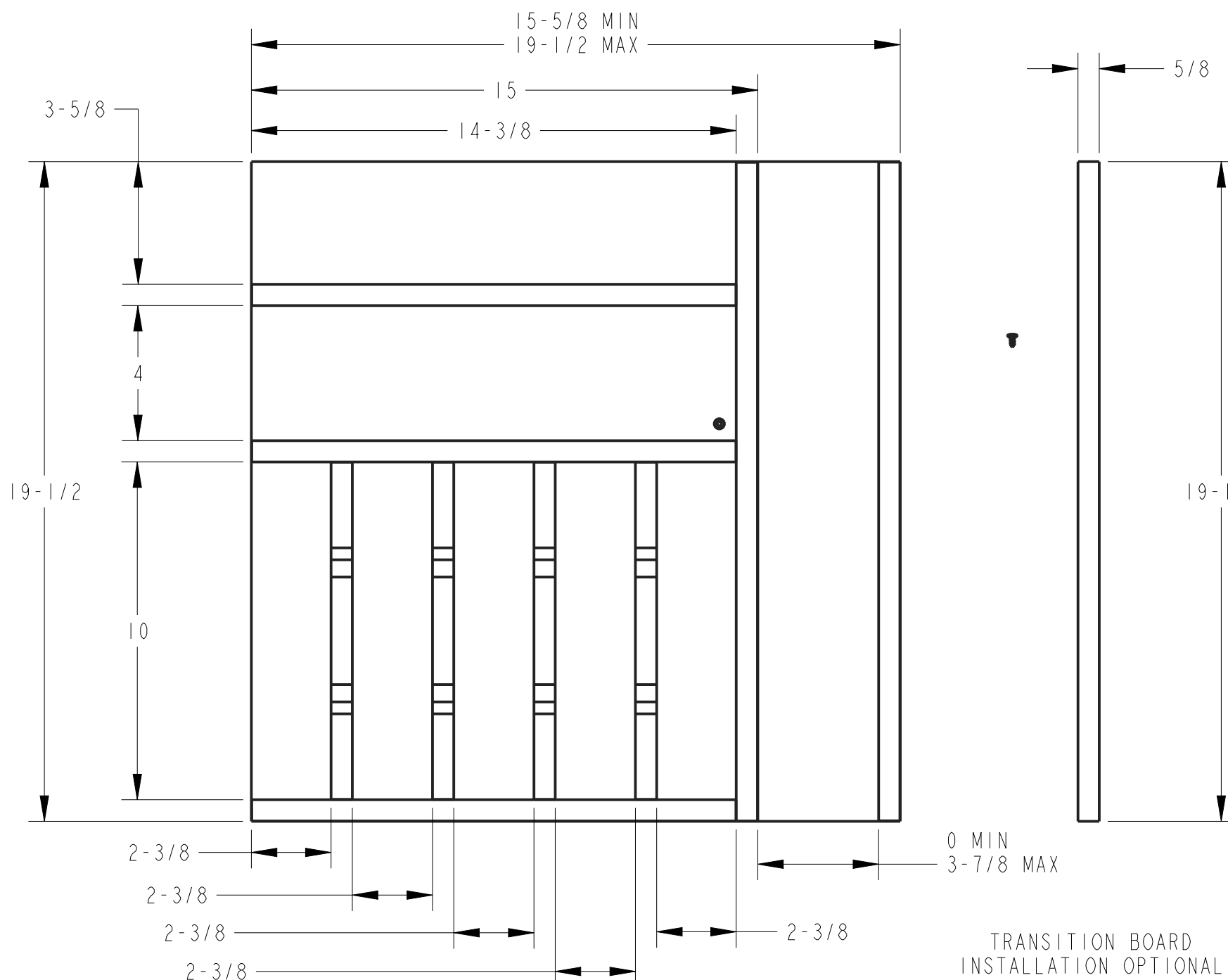
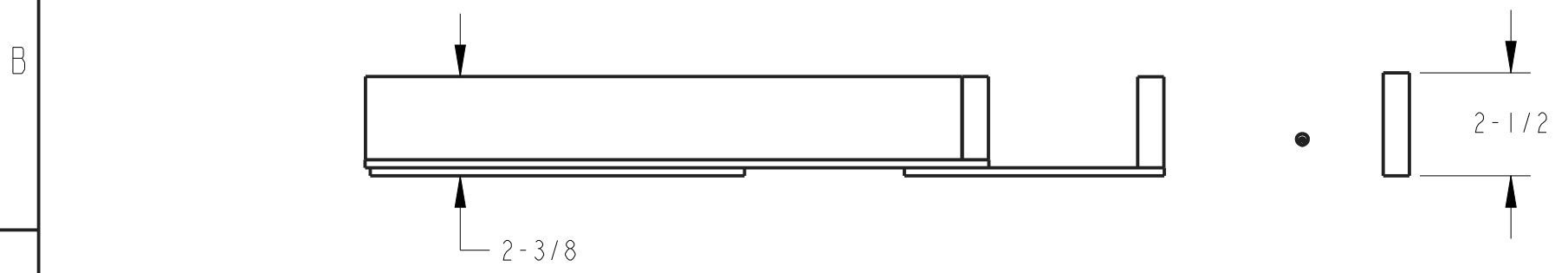


8 7 6 5 4 3 2 1

F E D C B A



SCALE 0.125



THIRD ANGLE PROJECTION

MATERIAL BIRCH & BIRCH PLYWOOD	FINISH UV COATING
DRAWN BY GREG DAVIS	DATE 19MAR2021
DESIGNED BY GREG DAVIS	DATE 19MAR2021
APPROVED BY E.GOLESTANYAN	DATE 25MAR2021

hardware resources		
DESCRIPTION ADJUSTABLE 21" DROP-IN CUTLERY DRAWER INSERT		
DRAWING DO21A-B24		REV A
SIZE A3	SCALE 0.250	SHEET 1 / 1

DOCUMENT STATUS Released

HARDWARE RESOURCES RESERVES THE RIGHT TO CHANGE SPECIFICATIONS WITHOUT NOTICE.
IN CASE OF A DISCREPANCY, ACTUAL PART GEOMETRY SUPERSEDES THIS DOCUMENT.

THE INFORMATION CONTAINED WITHIN THIS DRAWING IS THE SOLE PROPERTY OF HARDWARE RESOURCES INC. ANY REPRODUCTION IN PART OR WHOLE WITHOUT WRITTEN PERMISSION OF HARDWARE RESOURCES INC. IS PROHIBITED.

8 7 6 5 4 3 2 1