

EMB400 NICOR Emergency Driver 40W

The NICOR EMB400 is an UL Listed LED emergency driver for field installations that enables normal and emergency operation of an LED fixture up to 300W that utilize 0-10V dimming or 40W non-dimming. During a power failure, the unit activates emergency mode to maintain constant output power to the fixture for a minimum of 90 minutes without light degradation. The unit contains a lithium battery, charger, and converter circuit in a single housing and features a built-in junction box for simple installation. The EMB400 also features automatic monthly and annual self-testing features with unit status communicated via the illuminated test button.

Construction

- Aluminum housing with black anodize finish
- Stainless steel hardware
- Wire connectors, wire glands, and safety cable included

Electrical

- Long life, high temperature, maintenance-free LiFePO4 battery
- Integrated test switch/charge indicator
- Self-diagnostic/self-test feature
- Constant power design provides consistent lumen output for >90 minutes
- Auto sensing output voltage adjusts for various products such as high bays, troffers, etc.
- 24 hour recharge time
- Available remote control for function test

Installation

- For use in fixtures up to 300W input power with 0-10V dimming or 40W non-dimming.
- Multiple 1/4", 1/2", 3/4" NPT ports for wiring installation
- Integrated junction box with retained door
- Included mounting hook and fixture ring
- For use with switched or unswitched fixtures

Listings

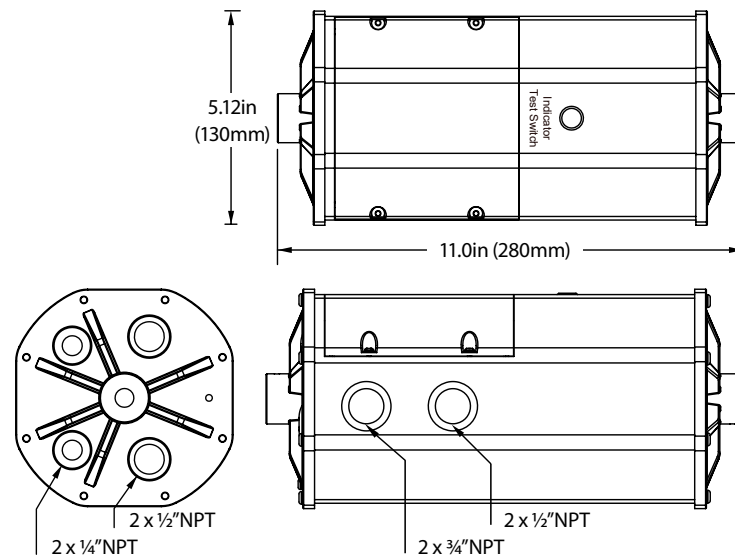
- UL 924 Listed
- UL rated for wet location installations
- CA Title 20 certified
- RoHS Compliant

Warranty

- 5-year limited system warranty standard



Perfect for HBC3



Product Information	
Input Voltage (VAC)	120-277VAC 50/60 Hz
Output Voltage	200VDC max
Output Power	40W (Max)
Emergency Operation	Minimum 90 Minutes
Surge Protection	3kV, Meets ANSI/IEEE C62.41.2-2002
Operating Temp	14°F - 122°F (-10°C - 50°C)
Weight	8.8 lbs



Applications



Auto sensing output voltage adjusts for various products such as high bays, troffers, etc.

Installation



Complete luminaire wiring and safety hardware included.



Available remote for function test.

Accessories

Remote Control for function test	EMB4001REMOTE
----------------------------------	---------------

Self contained unit with integrated junction box and multiple wiring ports.



Ordering Information

Series	Version	Voltage	Color
EMB400	1	UNV (120/277VAC)	BK (black)

Specifications and dimensions subject to change without notice