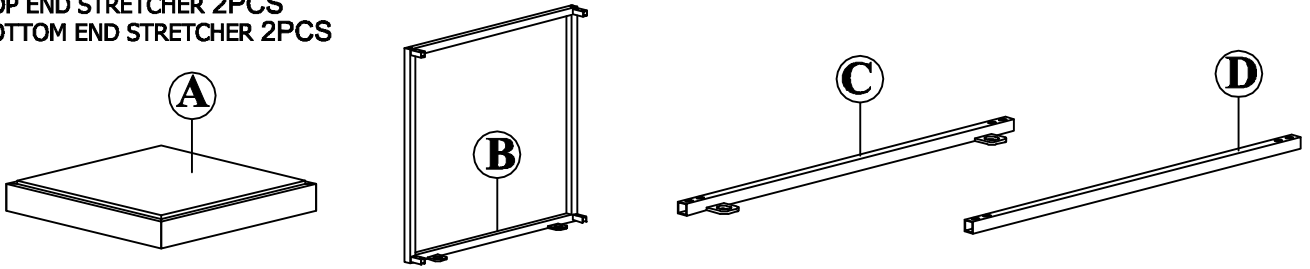


ENNIS SIDE TABLE ASSEMBLY INSTRUCTIONS



PARTS PACKING CONFIGURATIONS

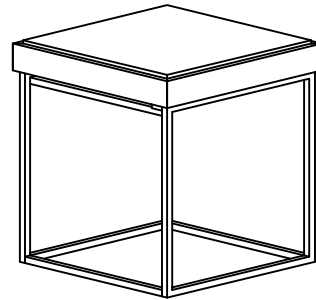
- A. TABLE TOP 1PC
- B. RECTANGULAR SIDE FRAME 2PCS
- C. TOP END STRETCHER 2PCS
- D. BOTTOM END STRETCHER 2PCS



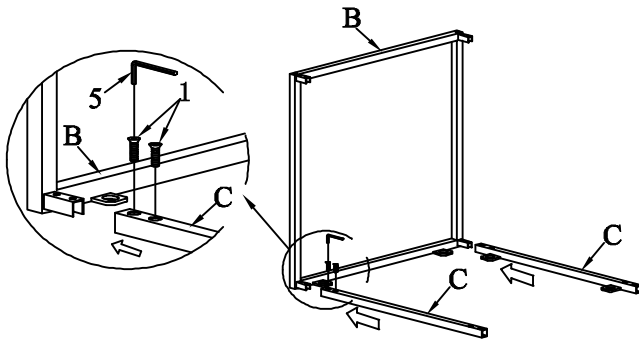
HARDWARE PACKED IN BOX

| No | Description | Photo | Quantity |
|----|------------------------|-------|----------|
| 1 | ALLEN BOLT (1/4 X 5/8) | | 16PCS |
| 2 | ALLEN BOLT (1/4 X 3/4) | | 8PCS |
| 3 | LOCK WASHER (1/4) | | 8PCS |
| 4 | FLAT WASHER (1/4) | | 8PCS |
| 5 | ALLEN KEY | | 1PC |

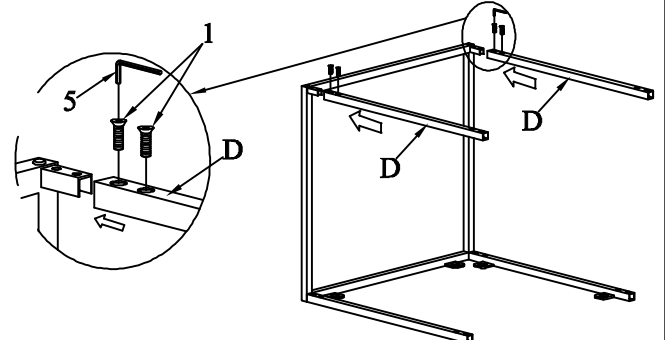
ENNIS SIDE TABLE FULLY ASSEMBLED



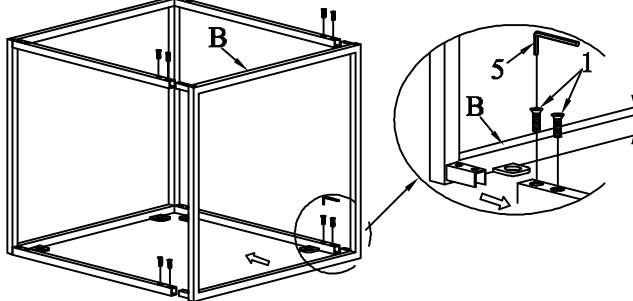
STEP 1:



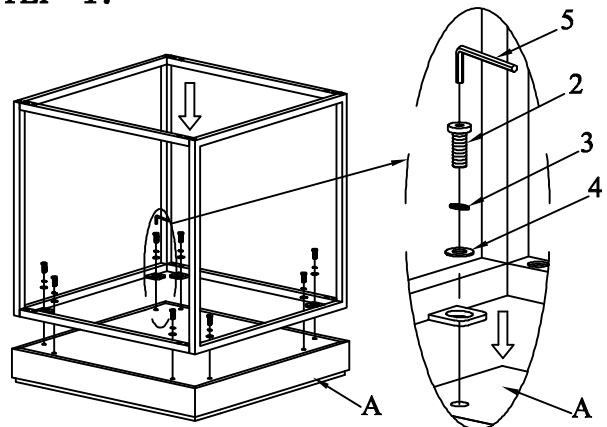
STEP 2:



STEP 3:



STEP 4:



FULLY ASSEMBLED

