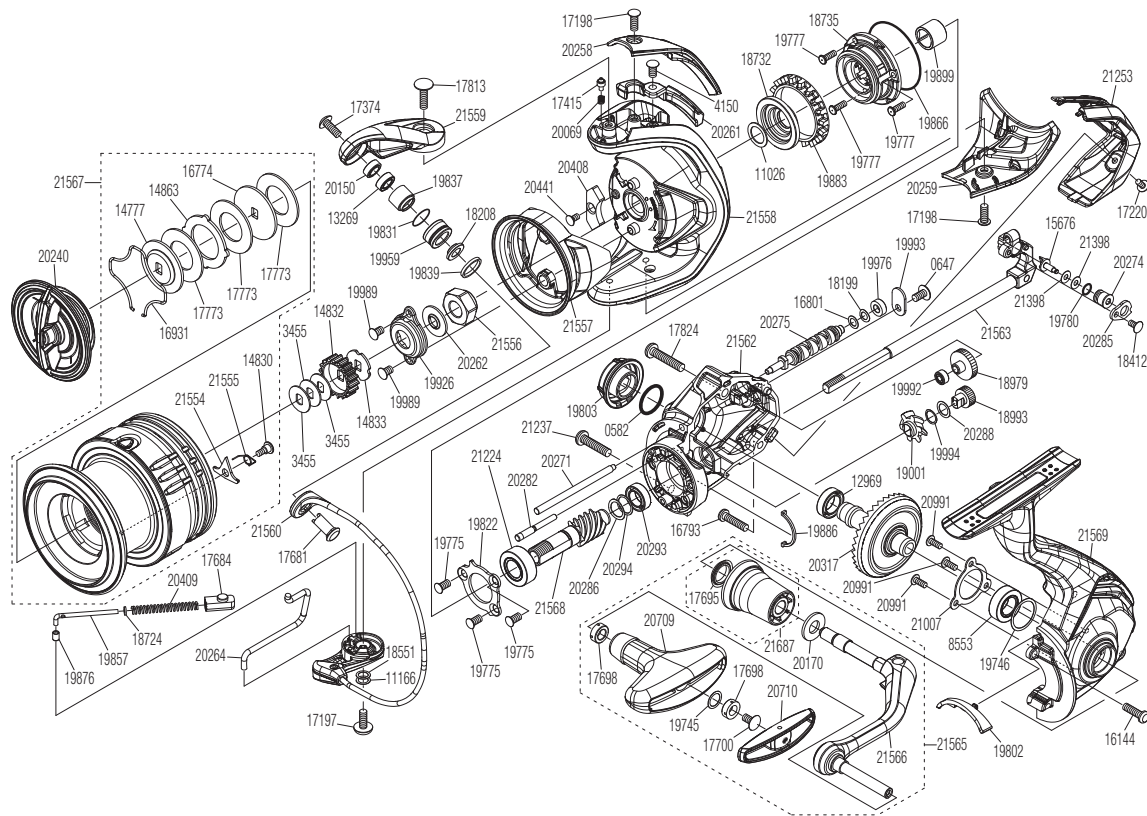


SHIMANO

ULTEGRA S A-RB

ULT-4000XG



Please note that the number of adjusting washers may not always be the same as shown in the exploded views.

(51SF52H045X)

Please note that your actions take full responsibility when you take it apart.

#	Part No.	Description	#	Part No.	Description	#	Part No.	Description
0582	108WH	O Ring	18979	10074	Idle Gear	20285	1010D	Oscillating Pawl Cover
0647	10QG5	Screw	18993	10SM7	Idle Gear (Small)	20286	10E37	Washer
3455	10BXN	Washer	19001	1006V	Idle Gear (Large)	20288	10G6D	Washer
4150	103KS	Screw	19745	104FH	Washer	20293	10K5Y	Ball Bearing
8553	107AT	Ball Bearing	19746	101AY	Washer	20294	10GD9	Washer
11026	10JDE	Washer	19775	100WY	Screw	20317	100Y1	Drive Gear
11166	10KFA	Washer	19777	100WT	Screw	20408	10SJN	Counter Weight
12969	107FA	Ball Bearing	19780	100WX	O Ring	20409	10RC7	Bail Spring
13269	104VX	Ball Bearing	19802	1017Y	Bail Trip Strike	20441	101H6	Screw
14777	10QBT	Key Washer B	19803	10RSK	Handle Screw Cap	20709	10RHC	Handle Knob
14830	10PH5	Screw	19822	10DWD	Bearing Retainer	20710	10S3U	Handle Knob Seal
14832	103MU	Spool Support A	19831	1009E	O Ring	20991	100UL	Screw
14833	10J04	Spool Support B	19837	1009K	Bushing	21007	100F9	Bearing Retainer
14863	102XU	Eared Washer	19839	10RFZ	Spacer	21224	10E7A	Ball Bearing
15676	106VJ	Oscillating Pawl	19857	10SAN	Bail Spring Guide A	21237	10DWX	Screw
16144	10M2L	Screw	19866	1009Z	O Ring	21253	101E2	Rear Protector
16774	10BCE	Key Washer	19876	1009B	Bail Spring Guide A Bush	21398	10RKQ	Washer
16793	10LZ4	Screw	19883	10QXQ	Friction Ring	21554	101VN	Drag Click
16801	10K9C	Washer	19886	1009W	Flange Water Proof	21555	101L6	Drag Click Spring
16931	10B8N	Retainer	19899	1009Y	Roller Clutch Inner	21556	101VM	Rotor Nut
17197	10P5S	Screw	19926	1076N	Rotor Nut Lock Plate	21557	10270	Rotor Brim
17198	10PS7	Screw	19959	1009A	Line Roller	21558	101L1	Rotor
17220	10PRZ	Screw	19976	1009C	Bushing	21559	1027J	Bail Arm
17374	10K90	Screw	19989	103GW	Screw	21560	101G2	Bail Assembly
17415	106ZC	Click Pin	19992	1009G	Bushing	21562	101L5	Body
17681	10TPC	Line Roller Support	19993	10S7C	Worm Shaft Retainer	21563	101PR	Main Shaft Assembly
17684	107AB	Bail Spring Guide B	19994	10TBA	Washer	21565	101L2	Handle Assembly
17695	10PXV	Handle Shaft Seal	20069	10HE7	Click Spring	21566	101G1	Handle Shank Assembly
17698	10PXZ	Bushing	20150	10E44	Collar	21567	101KY	Spool Assembly
17700	10LFA	Screw	20170	10E5X	Washer	21568	10TCZ	Pinion Gear
17773	102ZG	Drag Washer	20240	10DYK	Drag Knob Assembly	21569	10QVB	Side Cover Assembly
17813	10DN9	Screw	20258	10RSD	Bail Spring Cover	21687	10SY6	Handle Shaft Cover Assembly
17824	10DNC	Screw	20259	10RSH	Bail Hold Support Guard			
18199	10ECK	Washer	20261	10RS3	Counter Weight Cover			
18208	10TJM	Bearing Spacer	20262	10DY6	Bearing Water Proof			
18412	10LCT	Screw	20264	10DY7	Bail Trip Lever			
18551	10K96	Washer	20271	10DYF	Oscillating Guide A			
18724	101D9	Spring Guide A Support Collar	20274	1010C	Collar			
18732	101D5	Rotor Ring	20275	10DYB	Worm Shaft			
18735	10S2L	Roller Clutch Assembly	20282	10DYJ	Idle Gear Shaft	18054	10G4L	Anti Line Slip Sticker