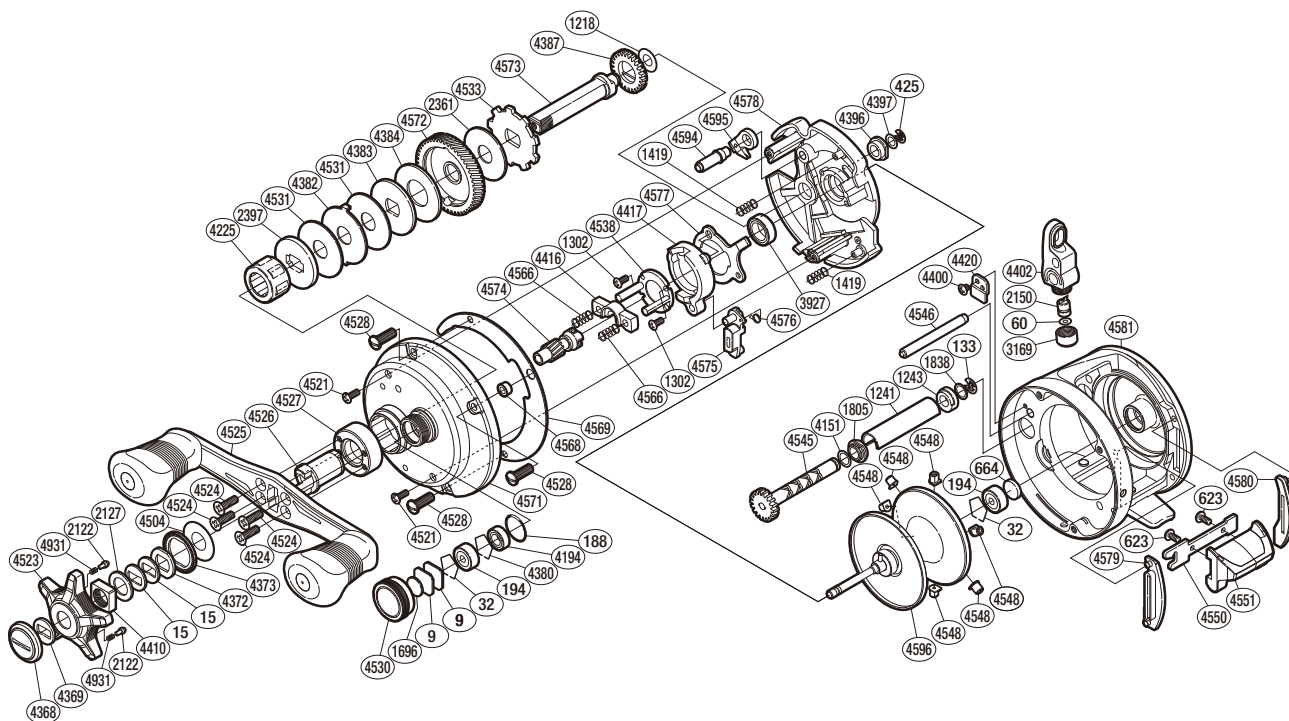


SHIMANO

CALCUTTA

CT-301D



(51RH318301U)

#	Part No.	Description	#	Part No.	Description	#	Part No.	Description
9	105N0	Spacer	4225	10F3C	Roller Clutch Bearing	4531	109SQ	Drag Washer
15	10D60	Drag Spring Washer	4368	10A6Y	Handle Bolt	4533	10D76	Anti-Reverse Ratchet
32	10GEW	Bearing Retainer	4369	10C6E	Handle Lock Spring	4538	10F42	Clutch Cam Retainer
60	10CFW	Spacer	4372	107QE	Drive Shaft Shield	4545	10KKL	Worm Shaft
133	105NJ	E Lock	4373	10J20	Star Drag Click Plate	4546	10GUM	Level Wind Guide
188	109EB	O Ring	4380	1057X	Retainer	4548	10CMP	Brake Collar
194	105BX	Ball Bearing	4382	10LB8	Eared Washer	4550	10AYG	Clutch Plate B
425	105NE	E Lock	4383	10KZV	Key Washer	4551	10CGH	Quick-Fire II Clutch Bar
623	103C0	Screw	4384	10CKQ	Drag Washer	4566	104BE	Yoke Spring
664	1057S	Spacer B	4387	10J70	Idle Gear	4568	10C41	Screw Collar
1218	105MY	Spacer	4396	10BPD	Drive Shaft Bushing	4569	108D1	Side Plate Support
1241	10NJM	Level Wind Guard	4397	10GCZ	Washer	4571	10J32	Left Side Plate
1243	104SX	Worm Bushing B	4400	10MP8	Screw	4572	10CRF	Drive Gear
1302	103N8	Screw	4402	10NYP	Line Guide	4573	105CS	Drive Shaft
1419	104BM	Spring	4410	10A0D	Star Drag Nut	4574	10CTY	Pinion Gear
1696	10896	Cast Control Spacer	4416	10471	Yoke	4575	105ZT	Clutch Pawl
1805	10NDP	Worm Bushing A	4417	10KSC	Clutch Cam	4576	104CT	Clutch Pawl Spring
1838	10D66	Spacer	4420	10FTD	Worm Bushing Retainer	4577	10QLN	Clutch Plate
2122	10BT0	Click Pin	4504	10GF8	Washer	4578	10Q34	Set Plate
2127	10J1N	Star Drag Spacer	4521	10MQ1	Screw	4579	1097D	Clutch Bar Guide B
2150	10FFX	Line Guide Pawl	4523	10AX7	Star Drag	4580	10AST	Clutch Bar Guide A
2361	10CJC	Drag Washer	4524	10MLB	Screw	4581	10JNH	One-Piece Frame
2397	10D3V	Key Washer	4525	10CF4	Handle Assembly	4594	10PCY	Anti-Reverse Pawl Pin
3169	10FJG	Pawl Cap	4526	10BN0	Roller Clutch Inner Tube	4595	10MW1	Anti-Reverse Pawl
3927	10EX8	Ball Bearing	4527	10J52	Handle Plate	4596	10L41	Spool Assembly
4151	10G8D	Washer	4528	10A6X	Screw	4931	10988	Click Spring
4194	105BP	Ball Bearing	4530	10KDW	Cast Control Cap			

Please note that the number of adjusting washers may not be the same as shown in the exploded views.
(Adjustment will vary with each individual product.)

(241120)_002