

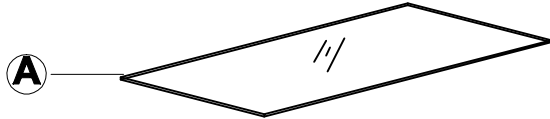
MODESTO GLASS TABLE ASSEMBLY INSTRUCTIONS



PARTS PACKING CONFIGURATIONS

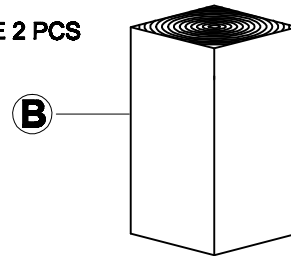
BOX #1

A. GLASS TOP 1 PC



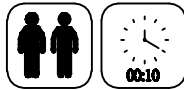
BOX #2

B. PEDESTAL BASE 2 PCS

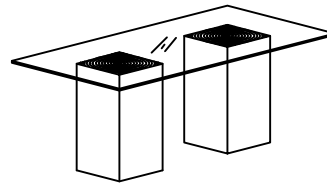


HARDWARE PACKED WITH BOX #2

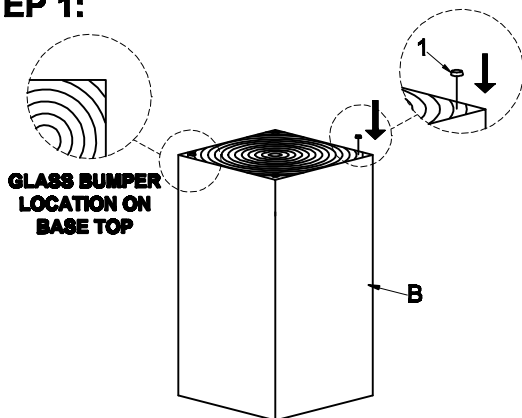
No	Description	Photo	Quantity
1	GLASS BUMPER		8 PCS



MODESTO GLASS TABLE FULLY ASSEMBLED

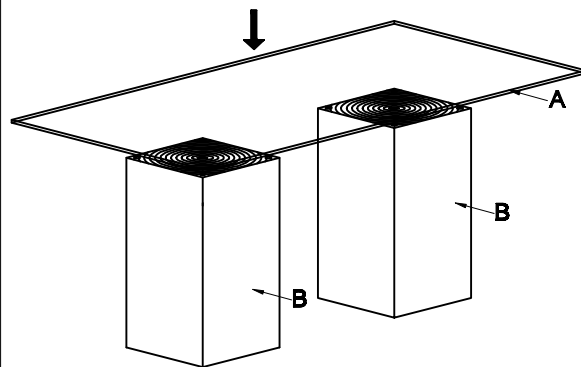


STEP 1:

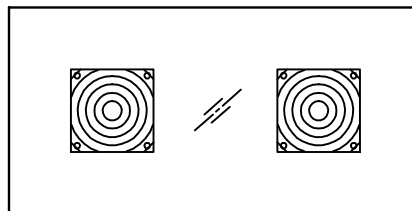


BUMPERS SHOULD BE APPLIED TO BOTH PEDESTALS TO PREVENT GLASS FROM MOVING.

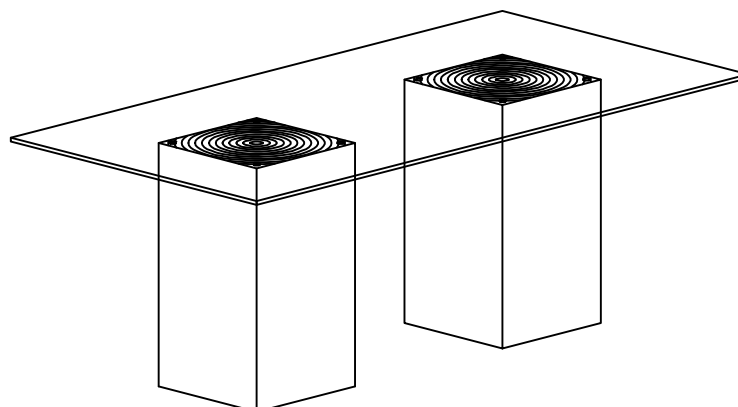
STEP 2:



POSITION PEDESTALS UNDER GLASS TOP TO PROVIDE MAXIMUM SUPPORT DURING USE



APPROXIMATE PEDESTAL LOCATION UNDERNEATH GLASS TOP



FULLY ASSEMBLED