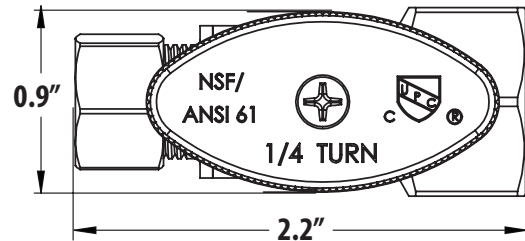
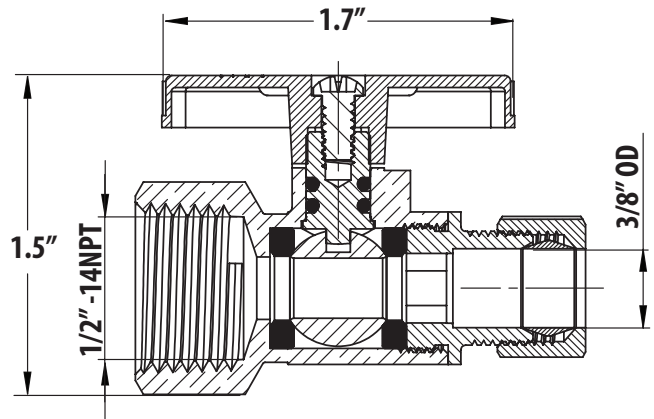
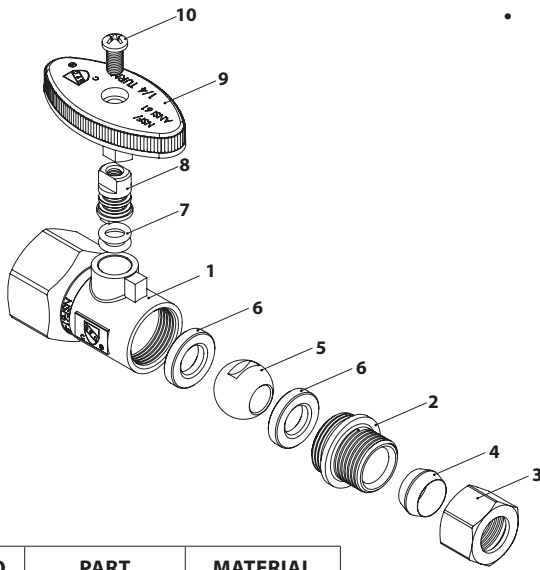


PART NO. S10312

1/2" FIP X 3/8" OD COMP QUARTER-TURN STRAIGHT SUPPLY STOP VALVE, CHROME PLATED

- Chrome plated finish
- Quarter-turn oval style handle
- Straight stop design typically used when water supply pipe comes up from the floor
- Lead Law Compliant
- Meets or exceeds NSF/ANSI 372-2016, NSF/ANSI 61-2012, ASME A112.18.1-2018/CSA B125.1-18, Safe Drinking Water Act Section 1417(d) and Section 116875 of the California Health & Safety Code
- cUPC listed



NO.	PART	MATERIAL
1	Body	Brass LF
2	Connect	Brass LF
3	Hex Cap	Brass
4	Swivel	Brass LF
5	Ball	Brass LF
6	Ring	PTFE
7	O-Ring	NBR
8	Stem	Brass
9	Handle	Zinc Alloy
10	Screw	Steel