



**BOSS**

**REBEL<sup>®</sup>**

**OFF ROAD SOUND SYSTEMS**



# USER MANUAL

## QUICK START GUIDE

### ATV80



### ALL-TERRAIN SOUND SYSTEM



FEATURING 8" MARINE GRADE SPEAKERS  
AND SWIVEL 1" SOFT DOME TWEETERS  
with BUILT-IN HIGH POWERED INTERNAL AMPLIFIER

**1** Thank you for purchasing this **BOSS** AUDIO SYSTEMS ATV80 All Terrain Sound System. Please read through these instructions carefully so you will know how to operate your model properly.

After you have finished reading the instructions, keep this document in a safe place for future reference.

### THIS PACKAGE CONTAINS

- 1- ATV80 All Terrain Speaker System
- 1- Quick Connect Power Extension Adaptor
- 2- Nylon Mounting Straps and Nylon Zip Ties
- 1- User Manual Quick Start Guide / Poster
- 1- Warranty Card

### INFORMATION TO THE USER

**FCC COMPLIANCE STATEMENT**

This device complies with part 15 of the FCC Rules. Operation is subject to the following two conditions:

- (1) this device may not cause interference, and
- (2) this device must accept any interference, including interference that may cause undesired operation of this device.

**CAUTION!!**  
ADJUSTMENT OR ALTERATIONS OF THIS PRODUCT MAY RESULT IN HAZARDOUS OPERATION.

**2 BEFORE YOU START**

**IMPORTANT SAFETY PRECAUTIONS**

- Do not operate mobile equipment while driving a motorized vehicle – safe driving and safety consideration of others should always be your highest priority.
- In the event you should notice smoke, strange noises or odor from this product, or any other abnormal signs, immediately turn off the power and consult your dealer or the nearest authorized BOSS AUDIO Service Center. Using this product in this condition may result in permanent damage to the system.
- Set your volume control at a low setting, then slowly increase the sound until you can hear it comfortably without distortion, or ear discomfort.
- **BE SURE TO OBSERVE THE FOLLOWING GUIDELINES:**
  - Do not turn up the volume so high that you can't hear what's around you.
  - Use caution or temporarily discontinue use in potentially hazardous situations.

**INSTALLATION PRECAUTIONS**

**WARNING - Always consult a professional installer**

- Do not attempt to install or service this product by yourself. Installation or servicing of this product by persons without professional training and experience in electronic equipment and motorized vehicle accessories may be dangerous and could expose you to the risk of electric shock, injury or other hazards
- Refer any repairs to a qualified BOSS AUDIO SYSTEMS Service Center
- The ATV80 can be powered from a vehicles cigarette lighter / auxiliary power port, or hard wired directly to the battery through an optional relay / accessory switch
- When wiring directly to the vehicles battery, be sure to disconnect the batteries negative terminal wire before starting any wiring procedures, it is suggested that an optional fuse and fuse holder (not included) with minimum rating of 20 Amps be in line with the positive battery terminal
- The ground cable length should not exceed 18-inches (See wiring diagram)
- The ATV80 has a weather resistant design, it should not be submerged in or under water under any circumstances
- Use only the installation parts provided with the ATV80

**CAUTION!!**  
USING OTHER MOUNTING METHODS MAY VOID THIS WARRANTY

**3 BEFORE INSTALLING THIS PRODUCT**

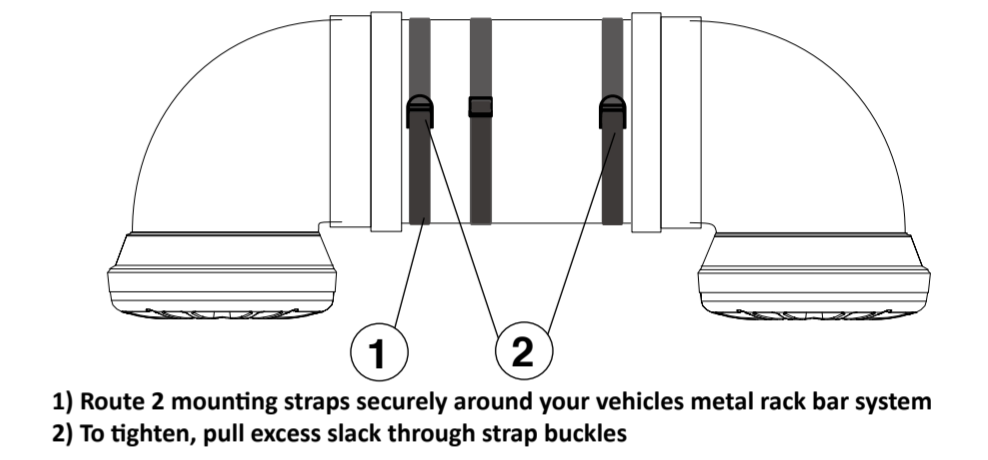
**CAUTION**

To avoid potential shorts in the electrical system, be sure to disconnect the (-) battery cable before installation. Use this unit with a 12-Volt battery and negative grounding only.

Failure to do so may result in a fire or malfunction.

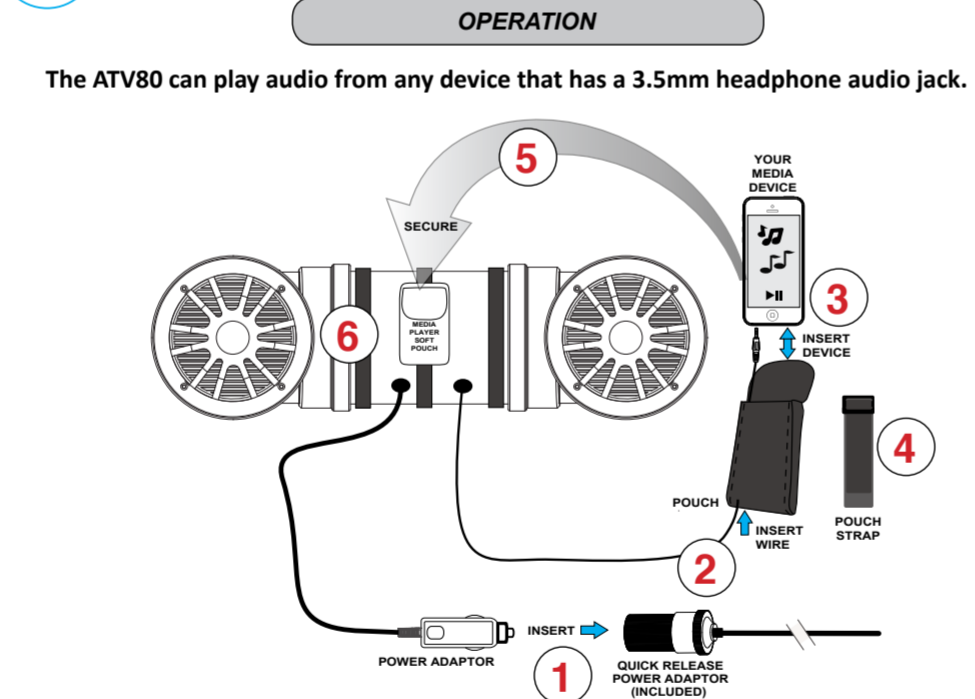
When replacing the fuse, be sure to only use a fuse of the rating specified on this product. To avoid short-circuiting, cover any disconnected leads with insulating tape. It is especially important to insulate any unused wires, which if left uncovered may cause a short circuit. When connecting other devices to this product, refer to the manual for the product to be connected. The black cable is ground, make sure to connect the ground wire first. Ensure that the ground wire is properly connected to metal parts of the vehicles body frame or direct to the battery if your vehicle does not have a grounded chassis frame. The ground wire of this units power amp and a second powered system must be connected to the frame separately with different screws. If the screw for the ground wire loosens or falls out, it could result in fire or malfunction.

### SPEAKER MOUNTING SUGGESTIONS



**CAUTION!!**  
Mounting strap buckles should be double checked to ensure they are tight and secure before each use of the vehicle.

### 4 GETTING TO KNOW YOUR ATV80

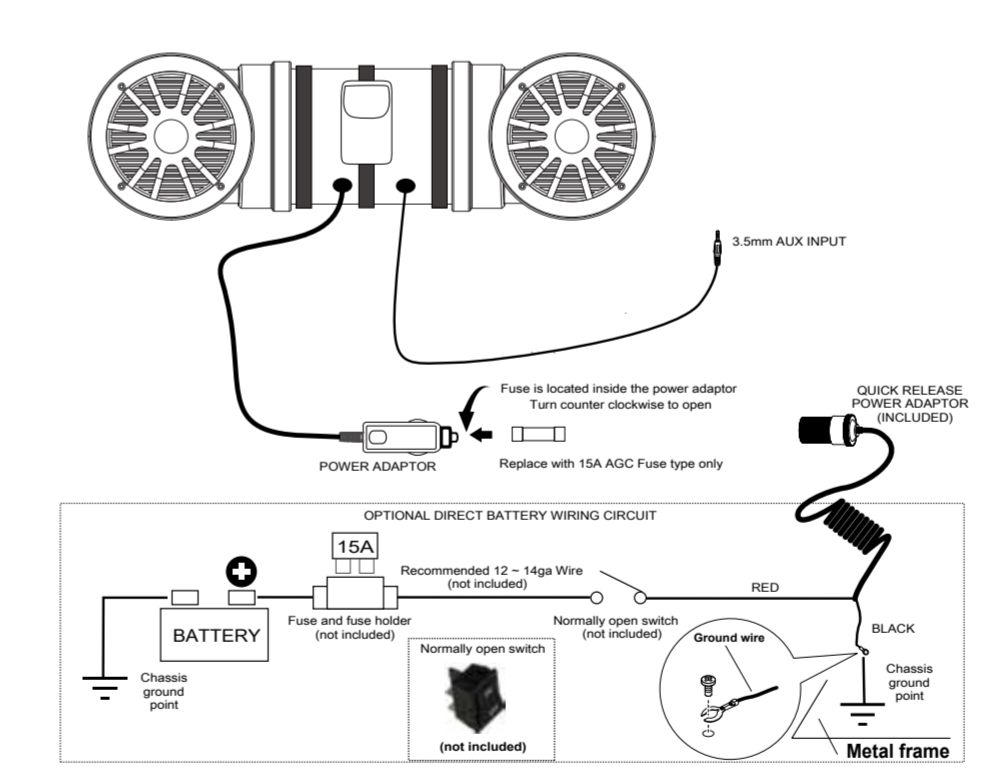


- POWER ON AND AUX-IN OPERATION**
- 1) Power on the ATV80 by plugging into a 12VDC power adaptor
  - 2) Route the integrated 3.5mm AUX-IN cable located on front side of the ATV80 through the supplied soft carry pouch
  - 3) Connect your device headphone jack to the 3.5mm AUX-IN cable
  - 4) Thread the strap through the pouch, secure the pouches top cover
  - 5) Wrap and firmly fasten the pouch strap around the center of the ATV80
  - 6) Secure any loose wiring before vehicle usage
- VOLUME CONTROL**
- 7) To raise or lower the volume use your media player master volume controller

**NOTE:** The carry soft pouch is designed to keep your device safe from debris, make sure to close the pouch cover securely before each vehicle use.

**Tips:** Make sure your device headphone volume is set at comfortable level before stowing in to the carry pouch

### 5 WIRE DIAGRAM



### SPECIFICATIONS

- AUX-IN**
- 3.5mm
  - Cable length: 5ft / 1.5m
- SPEAKERS**
- Dimensions: 8" / 219.8mm
  - Impedance: 2Ω + 2Ω
  - Cone Type: PP CARBON + RUBBER SURROUND
  - Tweeter Size: 1" PEI SOFT DOME
- AMPLIFIER**
- Maximum Output Power: 700 Watts
  - Input impedance: 10kΩ
  - Frequency Response: 45Hz-25kHz
- GENERAL**
- Operational Power: 12VDC (10-16V allowable)
  - MAX Current Draw: 13.7A
  - Replacement Fuse: 15A AGC TYPE
  - Color: Black
  - Weight: 20.8lbs / 9.43Kg
  - Dimensions cm WxHxD: 80.3 x 22.9 x 33.4
  - Dimensions Inches WxHxD: 31.63 x 9.00 x 13.15

SPECIFICATIONS SUBJECT TO CHANGE WITHOUT NOTICE

# USER MANUAL

## ATV80

AUX-IN | ALL-TERRAIN SOUND SYSTEM

BOSS Audio Systems  
3451 Lunar Court • Oxnard, CA 93030  
www.bosssaudio.com | 1.805.751.4853  
Tech Support: www.bosssaudio.com/support

CE, FCC, RoHS logos

Copyright © 2015 BOSS AUDIO SYSTEMS Inc.  
715 VER:1.02 EN



Like us on Facebook!  
BE THE FIRST TO SEE NEW PRODUCTS!

**BOSS** AUDIO SYSTEMS

SHARE YOUR BOSS AUDIO SYSTEM PHOTOS!

WATCH FOR CONTEST GIVEAWAYS AND WIN PRIZES!