

5 IN. MULTI-PURPOSE BENCH VISE

REPLACEABLE JAWS

Diamond serrated
hardened steel

3 X 2-1/2 IN. ANVIL

For flat shaping

POWDER COATING

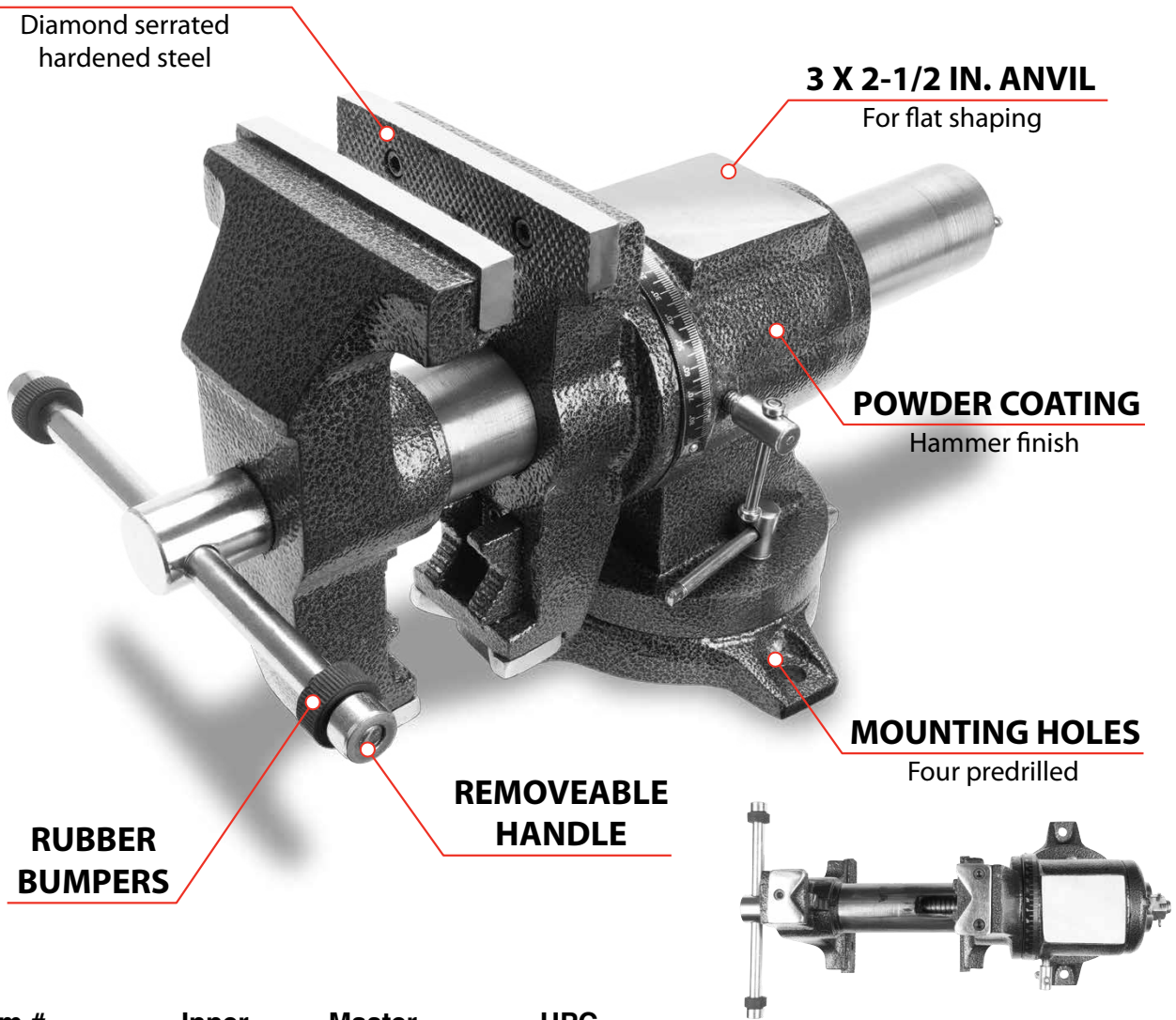
Hammer finish

MOUNTING HOLES

Four predrilled

REMOVEABLE HANDLE

RUBBER BUMPERS



Item #	Inner	Master	UPC
MV11	1	1	039564145803

- Durable ductile iron construction provides superior strength for a long service life
- Positive-locking 360 degree swivel base allows jaws to be used at any position
- Two sets of jaws, 5 in. standard for square stock and pipe jaws for round stock
- 2-1/2 in. x 3-1/8 in. flat anvil surface for forming, or reforming metal parts
- Heavy-duty spindle handle for extra-strength against bending
- Double lock down screws for secure positioning
- Powder coated body to inhibit corrosion and resists scratches
- Three mounting feet to securely bolt the vise to your workbench

