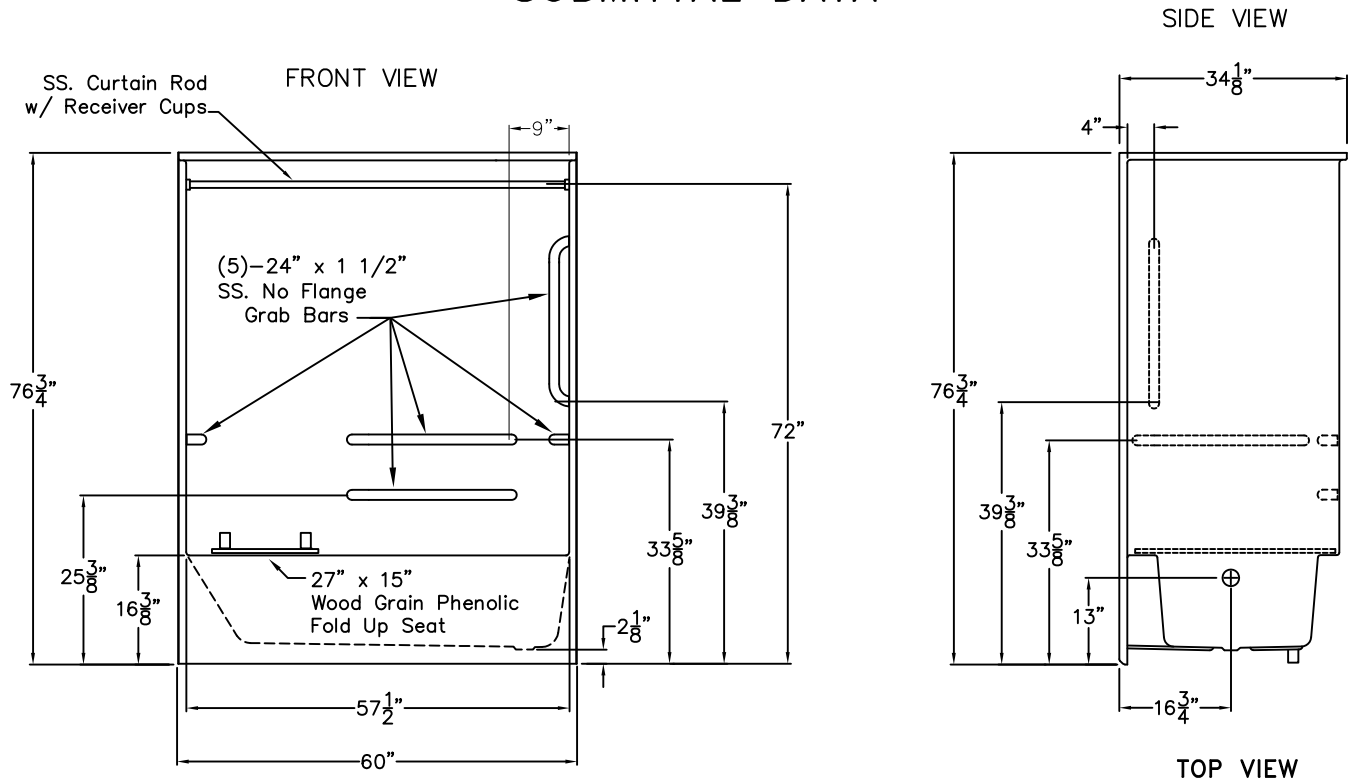


# Special Needs Series

## SUBMITTAL DATA

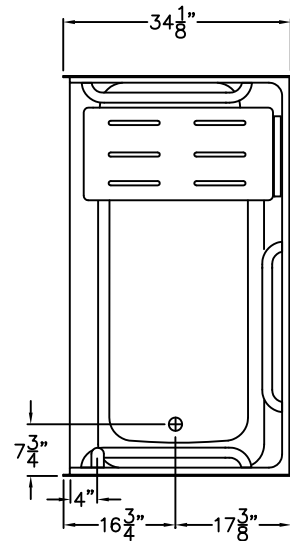


### Gelcoat 60" ADA Tub/Shower

This tub/shower enclosure shall be Praxis Model HTS 736 tub shower right, ADA. It shall meet CSA B45.5-11, ADA, ANSI A117.1, HUD, FHA, Home Innovation Research Lab, IAPMOZ124-2011, shall have the backside fire rating of "A" and a flame spread of less than 25, shall be designed to meet the requirements of most state and national codes on design for the disabled including Minnesota Building Code, and Southern Building Code.

- The enclosure shall be equipped with the following factory installed accessories:
- 1) Four 24" x 1 1/2" stainless steel horizontal grab bars,
  - 2) One 24" x 1 1/2" stainless steel vertical grab bar on the valve wall, all with 1 1/2" statue clearance, mounted from the rear with stainless steel bolts and 3" x 3" x 11 gauge metal mounting plates,
  - 3) 27" x 15" wood grain phenolic fold up seat,
  - 4) one inch diameter, 18 gauge stainless steel curtain rod with receiver cups.

Available options: 1) green anti-bacterial shower curtain with hooks, 2) white shower curtain and hooks, 3) Valve package includes: control valve, hand held shower set, with 60" flex hose, 30" slide bar, swivel connector, vacuum breaker, wall water outlet fitting.



DUE TO THE NATURE OF THE MATERIALS INVOLVED, UNIT DIMENSIONS MAY VARY ± 1/2 INCH.

<b>Job Name:</b>	<b>PRAXIS</b>
<b>Approved By Print Name:</b>	<b>Drawing#:</b> HTS736RH 5-SS. No Flange No Flange Grab Bars WGPH CR
<b>Approved By Signature:</b>	<b>Date Approved:</b> Date: 7-17-96 Revised: 6-4-14
<b>Rep.:</b>	<b>Wholesaler:</b> Quote No.:

PRAXIS INDUSTRIES, LLC.  
 435 INDUSTRIAL RD - SAVANNAH, TN 38372  
 1 (800) 443-7269 - FAX (731) 925-4290