



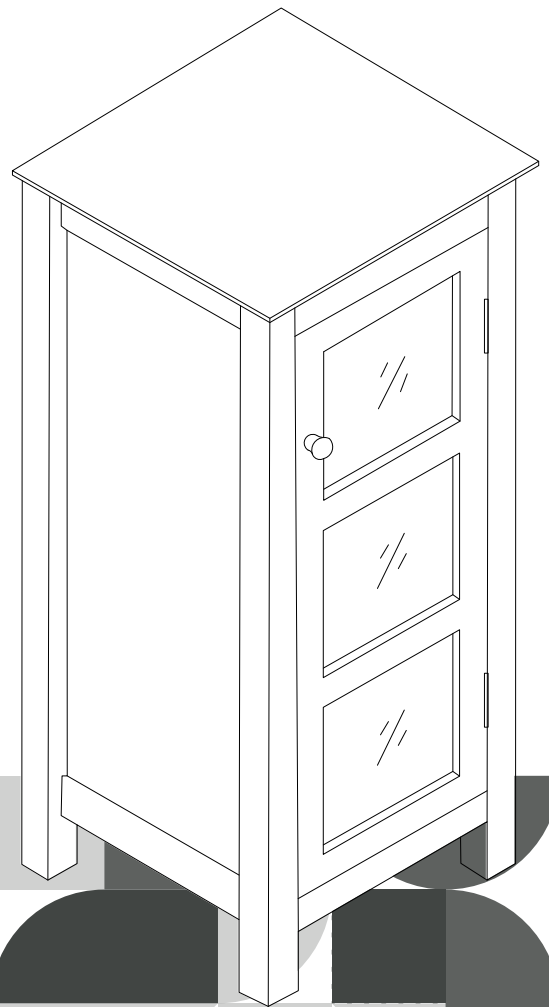
Extended Warranty
Sign Up

E-1

Welcome home!

6216

TEAMSON HOME
Floor Cabinet, 1 Glass Door





**Questions? Comments? Need help?
Call or email us any time!**

Global Customer Service

USA

+1(800)935-3959

Mon - Fri 10:00am ~ 2:00pm EST

✉ support@teamson.com

EU/UK

+44(0)1952-916-050

Mon - Thu 9:00am ~ 5:00pm GMT

Friday 9:00am ~ 4:00pm GMT

✉ support@teamson.co.uk

ASIA

深圳办公室:

+86(0755)8885-3558.分机号331

Mon - Sat 9:00am ~ 5:00pm GMT+8

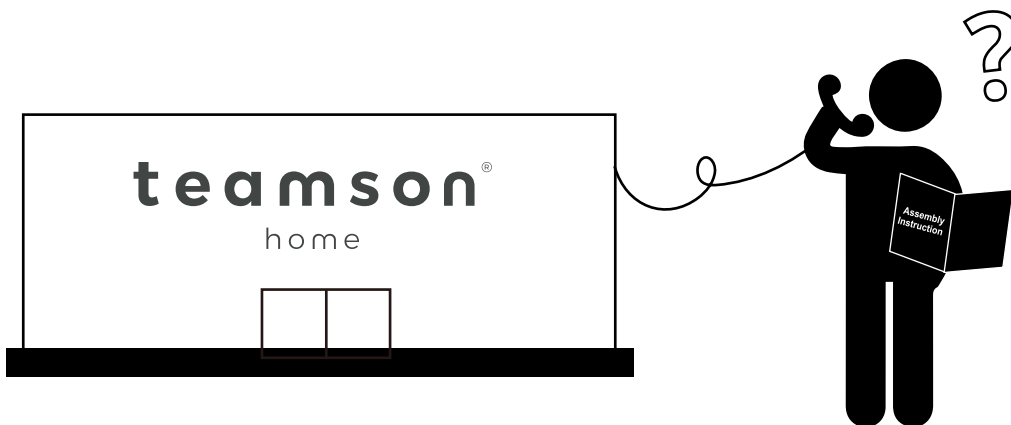
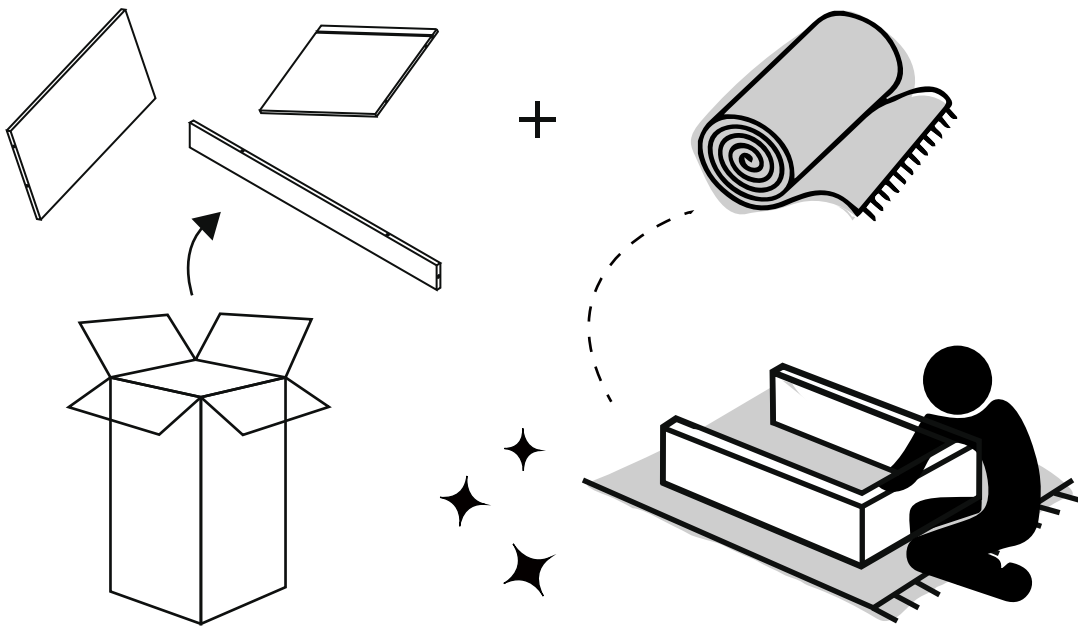
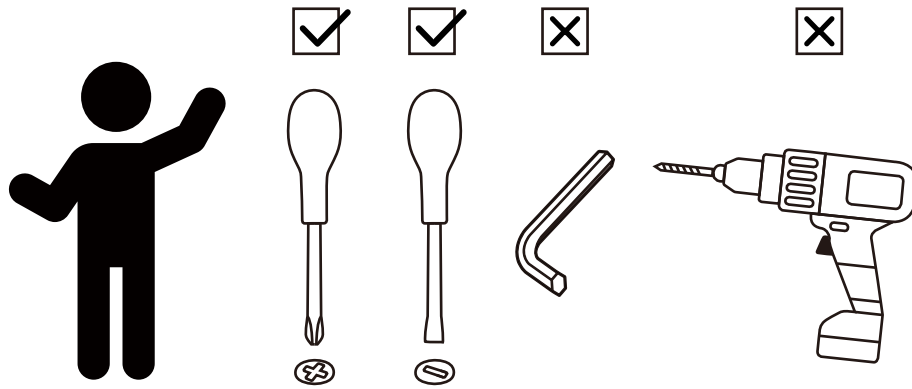
✉ sales_ec@teamson.com

台北办公室:

+886(2)2556-6268

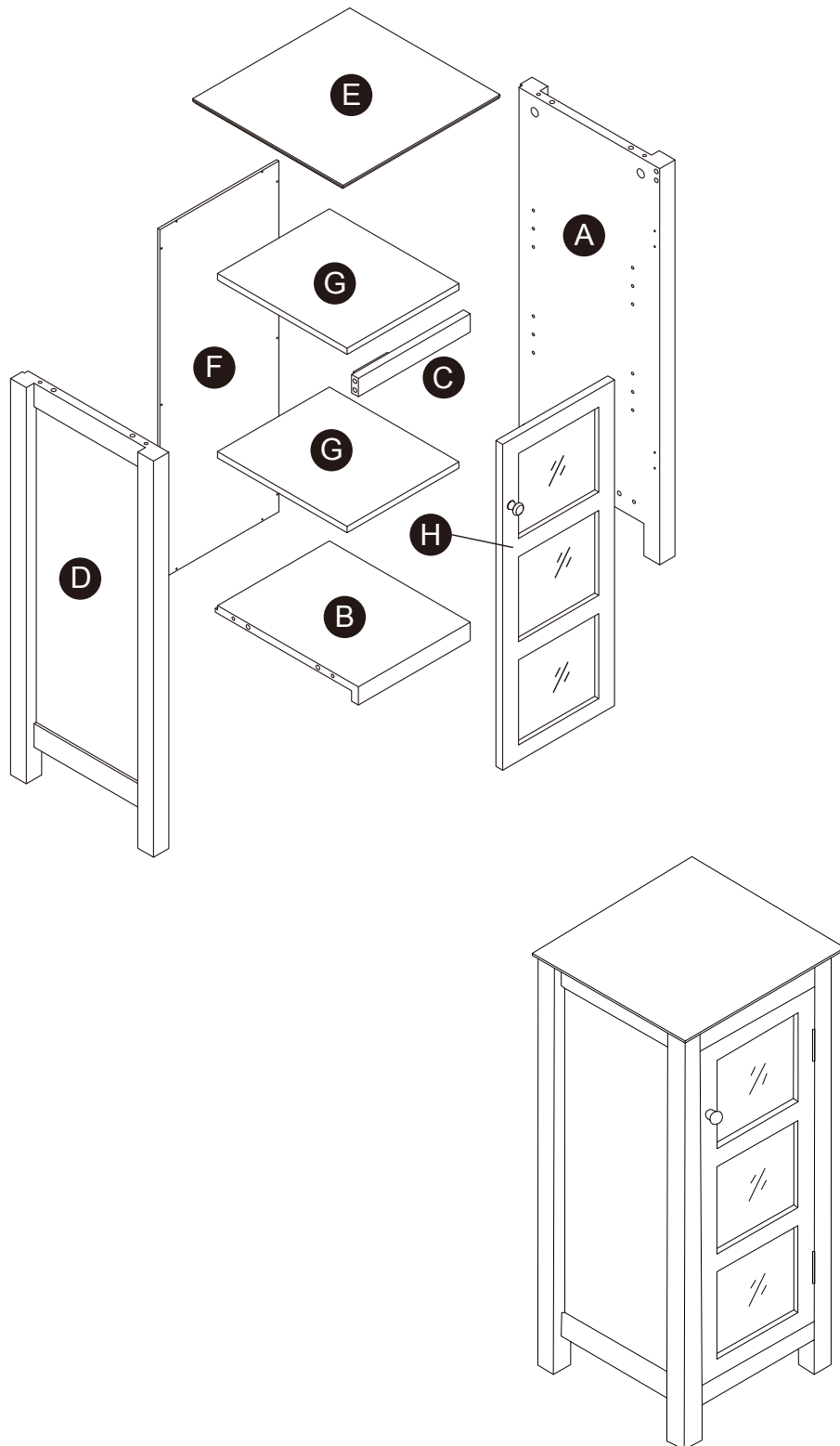
Mon - Fri 9:00am ~ 5:00pm GMT+8

✉ sales_ec@teamson.com



** Got questions? Please have your product code (on the first page of this instruction, e.g. TD-12345A) and the order number ready, give us a call or email us through our customer care support! We are always ready to assist you!

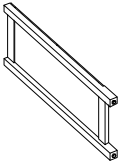
Exploded Drawing



Scan for assembly instructions.

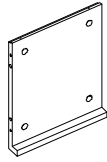
Product Parts

A



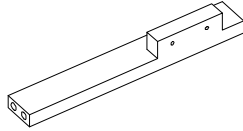
1 PC

B



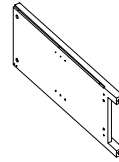
1 PC

C



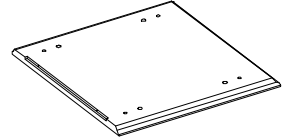
1 PC

D



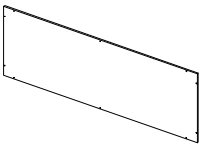
1 PC

E



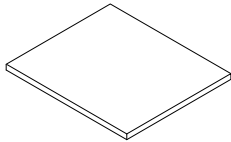
1 PC

F



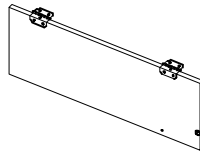
1 PC

G



2 PCS

H



1 PC

! Care Instructions

Dust surface with a dry soft cloth. Do not use window cleaners or cleaning abrasives as they will scratch the surface and could damage the protective coating

! WARNING

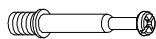
Small parts and sharp edges may be present prior to assembly.



Scan for assembly instructions.

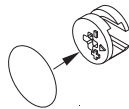
Hardware

1



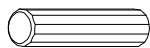
8 PCS

2



8 PCS

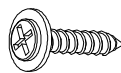
3



Ø8*30mm

12 PCS

4



Ø3*12mm

10 PCS

5



8 PCS

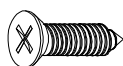
6



Ø3.5*19mm

1 SET

7



Ø3*12mm

4 PCS

8



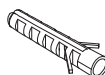
2 PCS

9



1 PC

10



1 PC

11




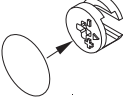
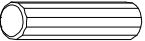
Ø4*25mm

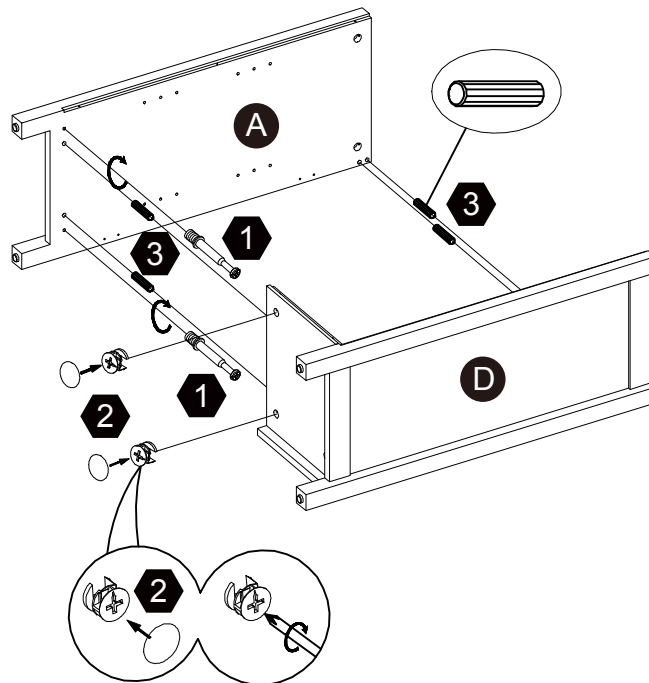
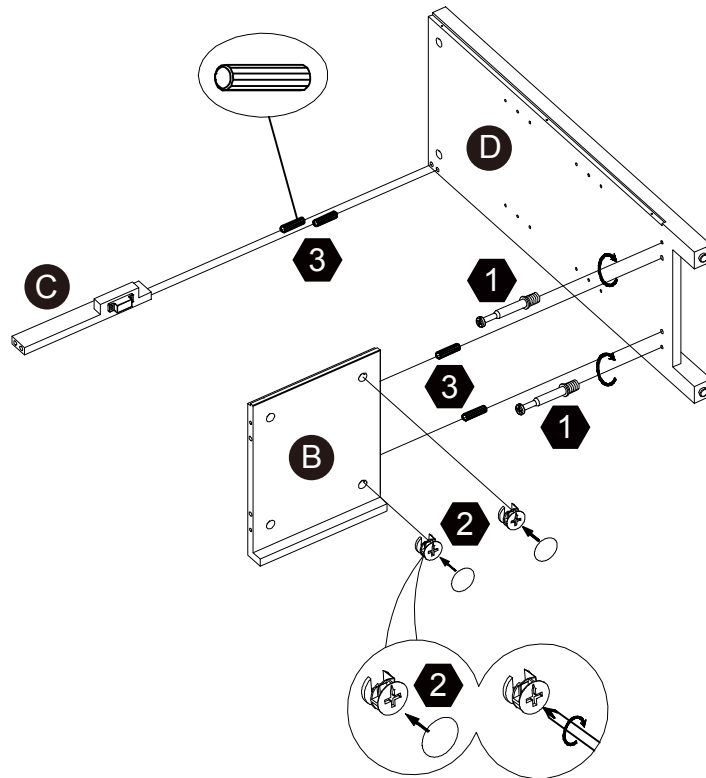
2 PCS



Scan for assembly instructions.

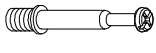
Step 1

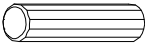
- 1  4 pcs
- 2  4 pcs
- 3  8 pcs
Ø8*30mm

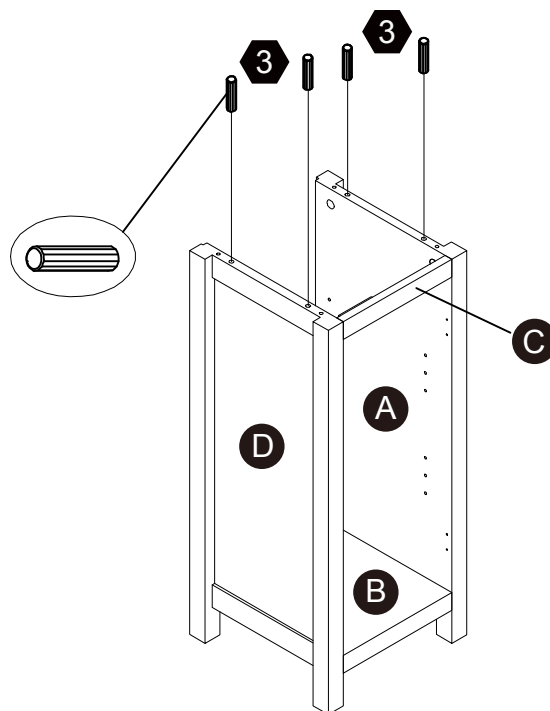
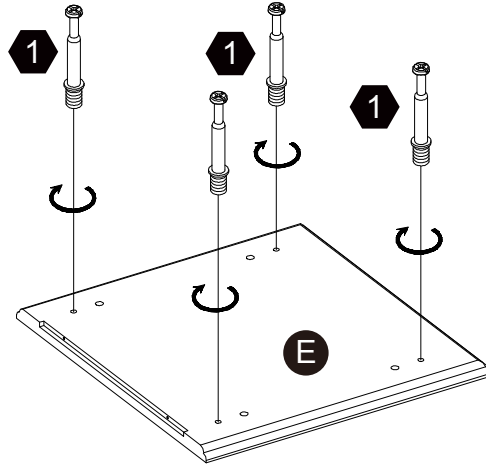


Scan for assembly instructions.

Step 2

1  4 pcs

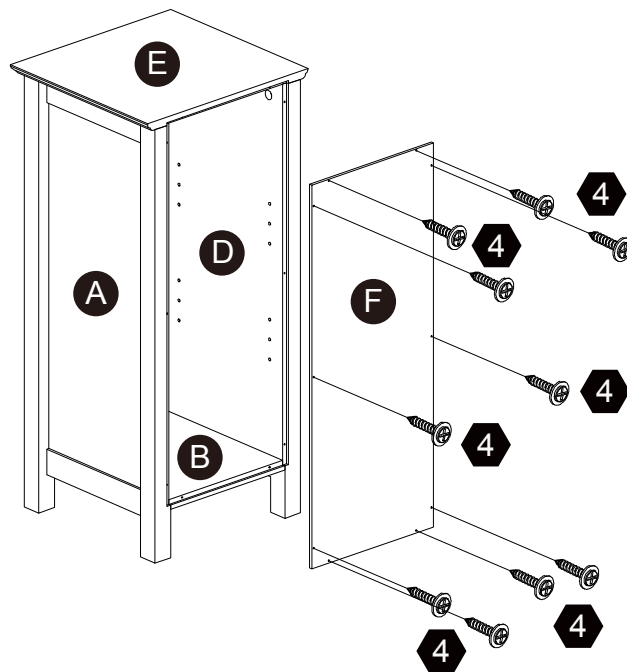
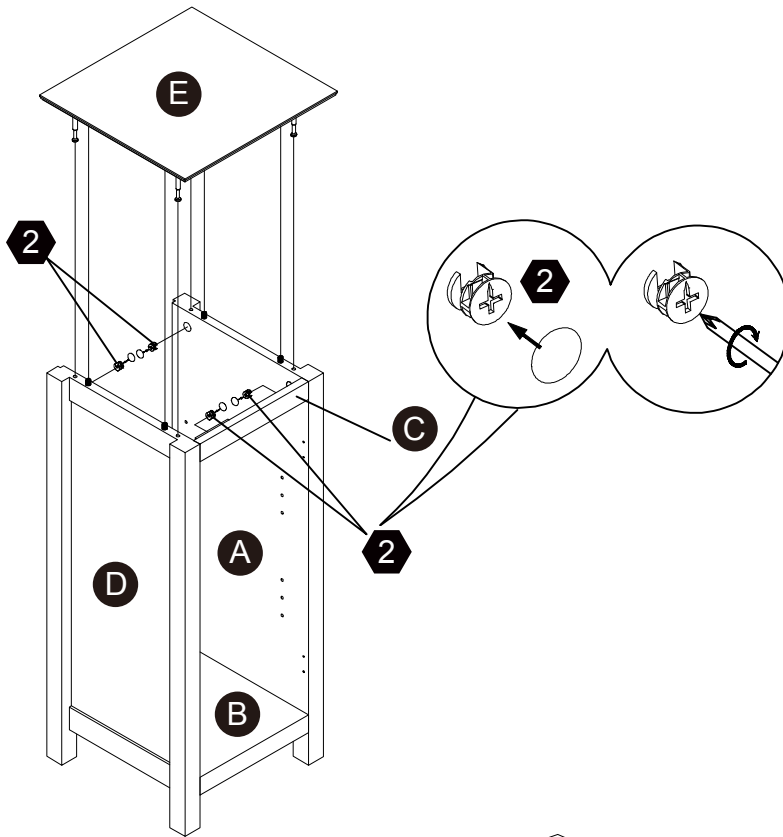
3  4 pcs
Ø8*30mm



Scan for assembly instructions.

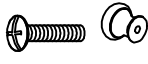
Step 3

2  4 pcs 4  10 pcs
Ø3*12mm

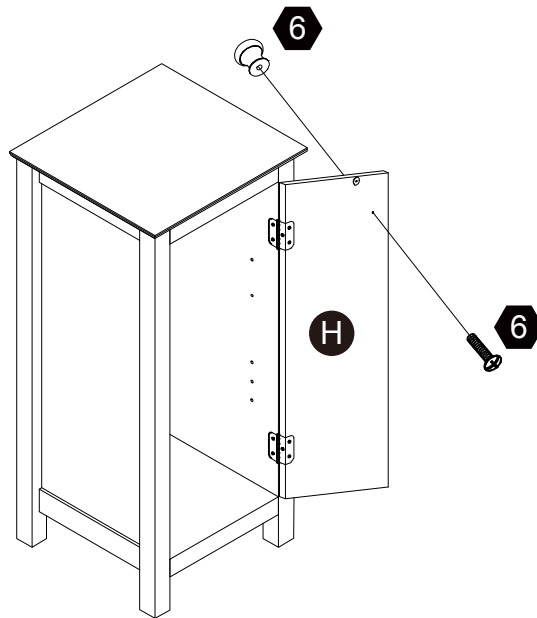
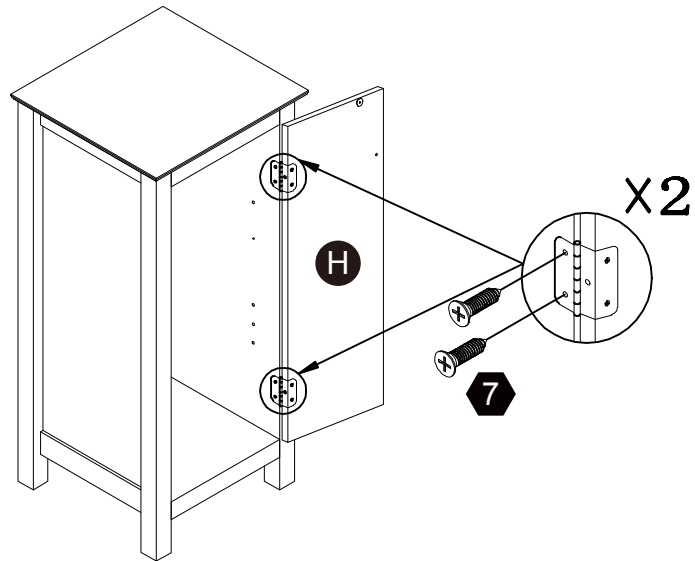


Scan for assembly instructions.

Step 4

6  1 set
Ø3.5*19mm

7  4 pcs
Ø3*12mm



Scan for assembly instructions.

Step 5

5



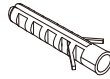
8 pcs

8



1 pc

10



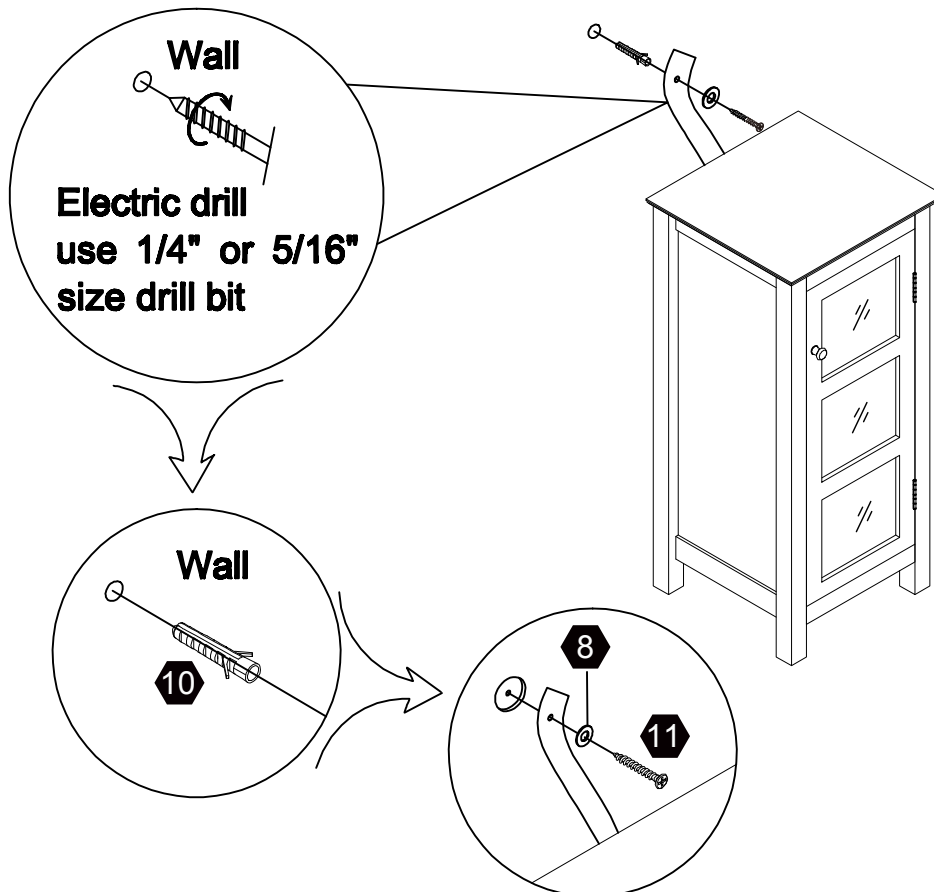
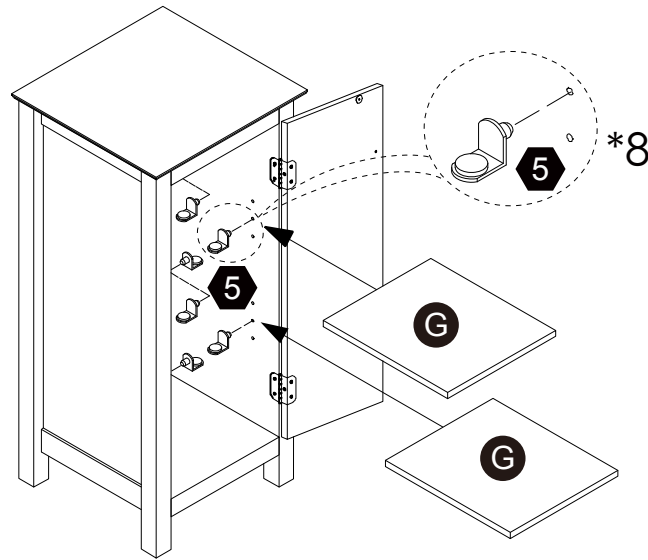
1 pc

11



1 pc

Ø4*25mm



Scan for assembly
instructions.

Step 6

8



1 pc

9



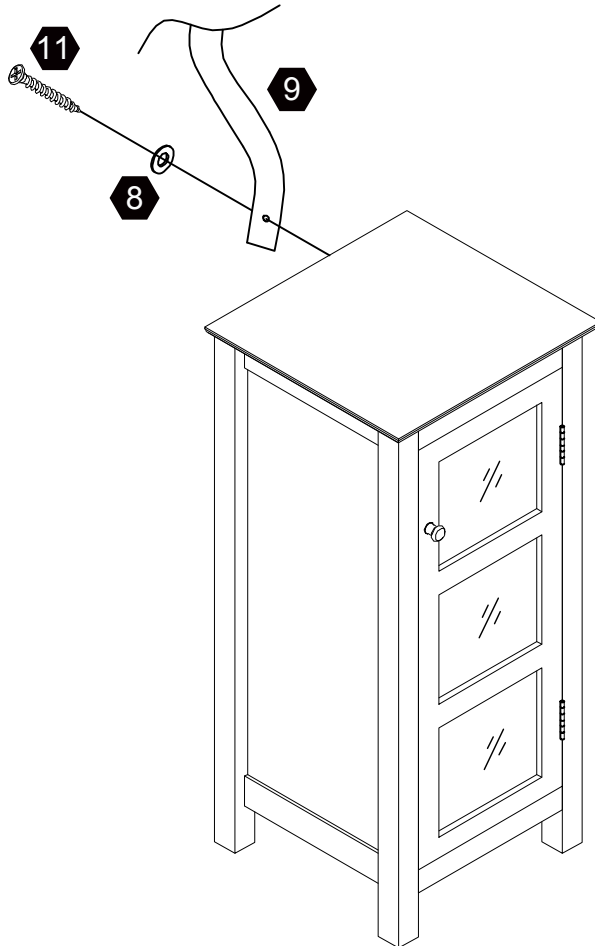
1 pc

11



Ø4*25mm

1 pc



Scan for assembly instructions.