

Installation Guide

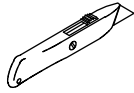
Remineralizer Filter

Français, page "Français-1"
Español, página "Español-1"

THE BOLD LOOK
OF **KOHLER**®

1413494-2-A

Tools and Materials



Plus:

- 3/8" Tubing
- Bracket



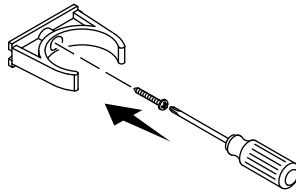
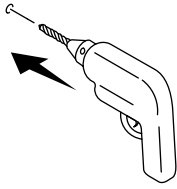
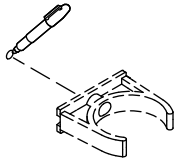
Before You Begin

- Follow all state and local plumbing and building codes.
- Replace the remineralizer every 6 months, when the capacity has been exceeded, or when a noticeable decrease in water flow is observed.
- Record your model number and installation date below. Also mark the installation date on the remineralizer. Model number: _____ Replacement date: _____
- Keep this installation guide for future reference.

To learn more about other KOHLER water filtration systems, replacement cartridges, subscription services, and recycling program visit kohler.com.

1. Prepare the Site

- Turn off the cold water supply.
- Turn on the filter faucet to relieve water pressure and drain water from the reverse osmosis tank completely.
- The reverse osmosis filtration system must be installed prior to installing the remineralizer filter.

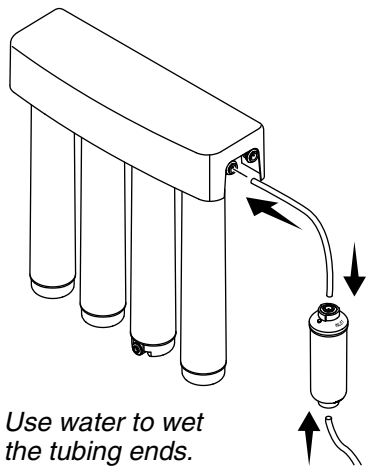


2. Mount the Remineralizer Bracket (Optional)

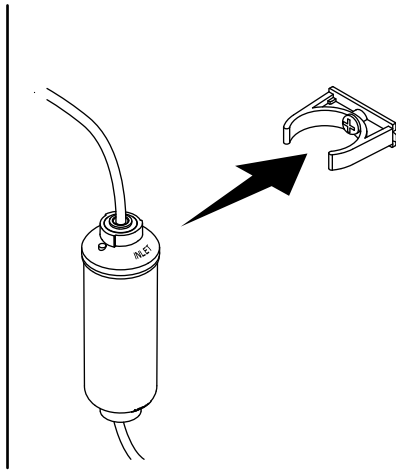
IMPORTANT! This unit is designed for vertical installation.

IMPORTANT! Ensure that the remineralizer will not interfere with other items and will be easily accessible. Make sure that the tubing will not be under tension when installed.

- Align the mounting hole of the remineralizer bracket (not provided) at the determined mounting location.
- Mark the mounting-hole location with a pencil. Set the bracket aside.
- Pre-drill the mounting hole, if necessary, based upon the fastener selected.
- Secure the bracket into position by tightening the fastener.



Use water to wet the tubing ends.

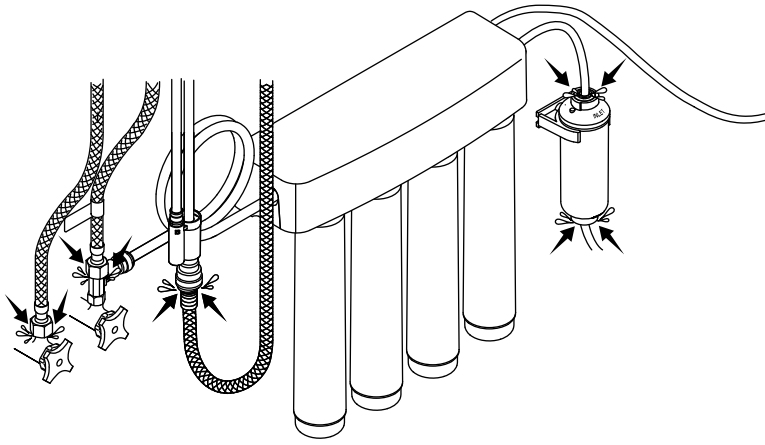


3. Connect the Tubing



CAUTION: Risk of property damage. Do not damage, kink, or crimp the tubing. Avoid cutting the tubing. If it is necessary to cut the tubing, use a sharp utility knife to make a clean and square cut to avoid water leakage.

- Insert the end of the 3/8" tube (not provided) into the filter head outlet labeled "FAUCET."
- Insert the other end of the 3/8" tube (not provided) into the inlet port on the top of the remineralizer filter.
- Insert the end of the 3/8" tube connected to the faucet into the outlet port located on the bottom of the remineralizer filter. Verify that the connection is secure.
- Insert the remineralizer filter into the bracket (optional.)



4. Check for Leaks

- Turn on the cold water supply and check all connections for leaks. Repair as needed.
- Run water through the faucet for 5 minutes to remove any debris from the system.

Troubleshooting

This troubleshooting guide is for general aid only. For warranty service, contact your dealer or wholesale distributor.

Do not use on water that is microbiologically unsafe or of unknown quality without adequate disinfection before or after this filter system. Systems certified for cyst reduction may be used on disinfected waters that may contain filterable cysts.

Service parts and replacement cartridges are available from your local distributor, or directly from Kohler Co.:

Kohler Co., 444 Highland Drive, Kohler, Wisconsin, 53044

Troubleshooting (cont.)

Symptoms	Probable Causes	Recommended Action
1. Water leaks at a tubing connection.	A. Tubing is not cut square, or is damaged or crimped.	A. Turn off the water supply, and relieve water pressure. Press in the collar around the fitting at the leak, and pull the tubing to remove. Use a sharp utility knife to cut 1/2" (13 mm) off the end of the tubing. Reinsert the tubing into the fitting. Turn on the water supply and check for leakage.

Warranty

Need help? Contact the Customer Care Center at 1-800-456-4537.

For care and cleaning and other information visit kohler.com/clean.

This product is covered under the KOHLER® Warranty: **Water Filter Systems Five-Year Limited Warranty.**

For a hardcopy of warranty terms, contact the Customer Care Center.

USA/Canada: 1-800-4KOHLER (1-800-456-4537)

Mexico: 001-800-456-4537

kohler.com/warranty