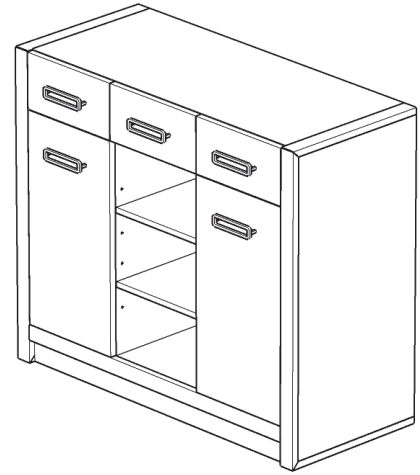


Buffet



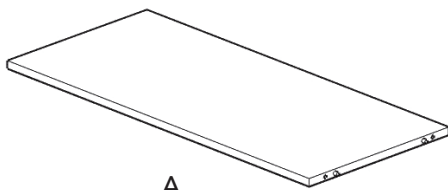
IMPORTANT

Carefully remove all the parts from the carton and place them individually on a soft cloth to prevent scratches or other damage.

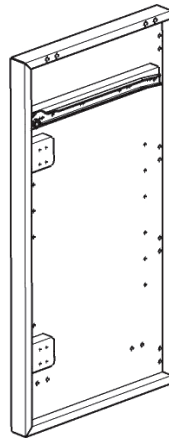
Carefully and strictly follow these assembly instructions to ensure a completed product as designed.

Do not use power tools above 8 volts to assemble.

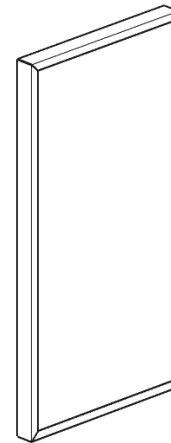
Part List



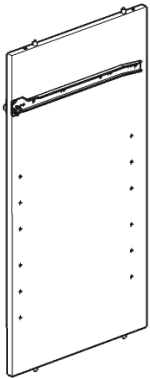
A.
Top
1 pc.



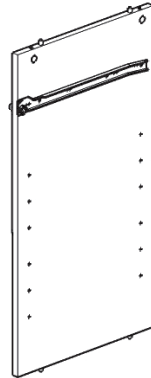
B.
Side Panel
1 pc.



C.
Side Panel
1 pc.



D.
Middle Panel
1 pc.



E.
Middle Panel
1 pc.



F.
Door
1 pc.



G.
Door
1 pc.

Hardware List



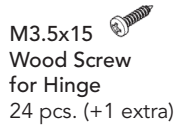
Hex Wrench
1 pc.



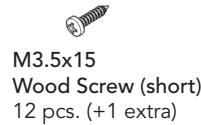
M6x30
Head Cap Bolt
4 pcs. (+1 extra)



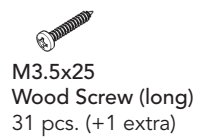
Adjustable Pin
24 pcs. (+1 extra)



M3.5x15
Wood Screw
for Hinge
24 pcs. (+1 extra)



M3.5x15
Wood Screw (short)
12 pcs. (+1 extra)



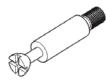
M3.5x25
Wood Screw (long)
31 pcs. (+1 extra)



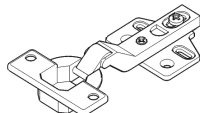
Small
Hex Wrench
1 pc.



Cam Lock
26 pcs. (+4 extra)



Cam Lock Screw
26 pcs. (+2 extra)



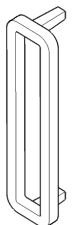
Hinge
4 pcs.



M4x25
Machine Screw
4 pcs.



M4x35
Machine Screw (long)
6 pcs.



Handle
5 pcs.

Carton 20 05506 0682 is also needed for assembly.

Tool(s) required for assembly: Phillips screwdriver, Level, Drill (8 volts or less), 3/8" Drill Bit

Home Styles Customer Service: www.homestyles-furniture.com,
servicedesk@homestyles-furniture.com, 888-680-7460, 877-831-0319

Assembly Instructions 2/11

IMPORTANT

- Use a soft cloth between these parts and the floor.
- Do not use power tools above 8 volts to assemble.
- Do not tighten all the screws until each part is properly assembled.
- The unit must be level to work properly. Use the included adjustable levelers to level.
- Keep Hex Wrench as the bolts may need to be tightened in the future.

STEP 1

Insert Cam Lock Screws into pre-drilled holes in Top (A), Side Panels (B), (C), and Back Panel (L), then tighten. (See Figure 1)

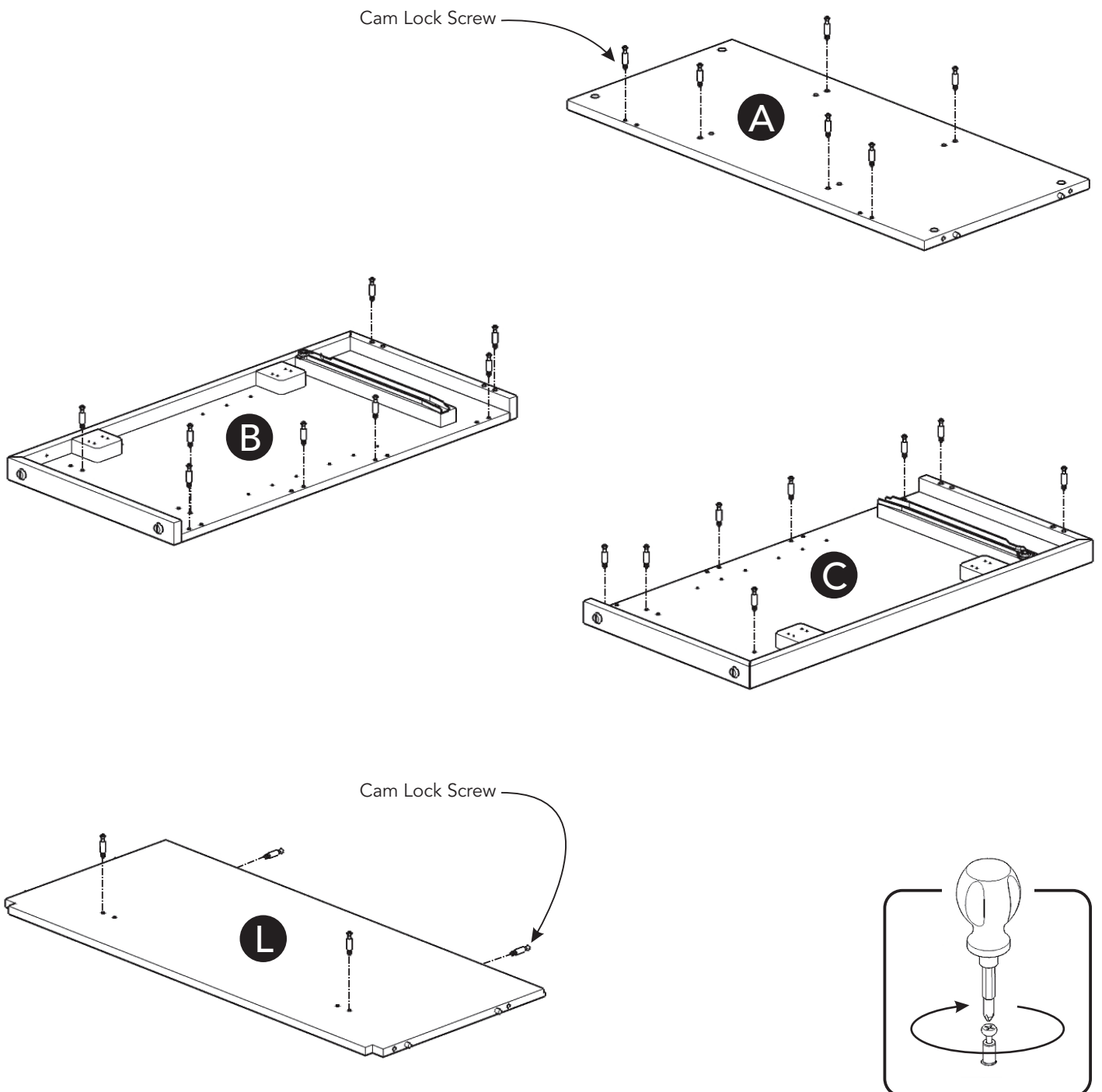


Figure 1

STEP 2

Attach Middle Panels (D), (E) to Top (A) with Cam Locks.
(See Figure 2)

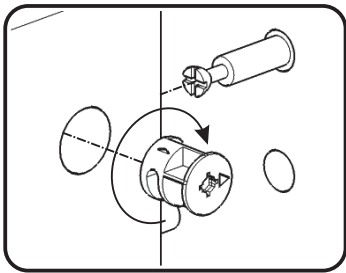
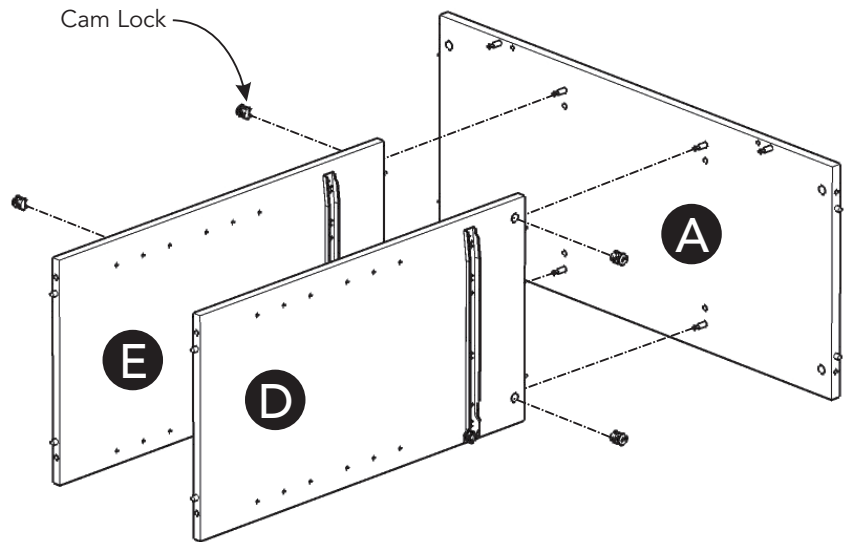
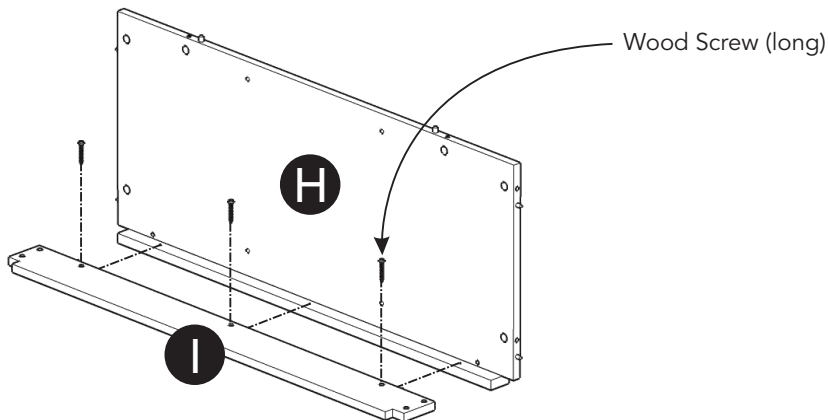


Figure 2

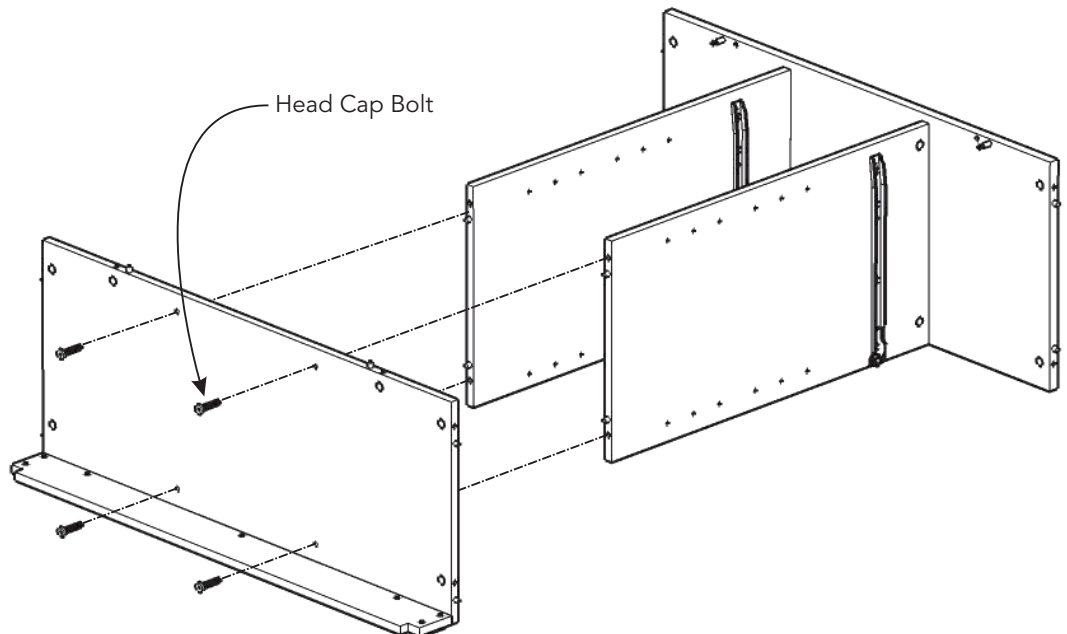


STEP 3

Attach Plinth (I) to Bottom (H) with Wood Screws (long), then tighten.

STEP 4

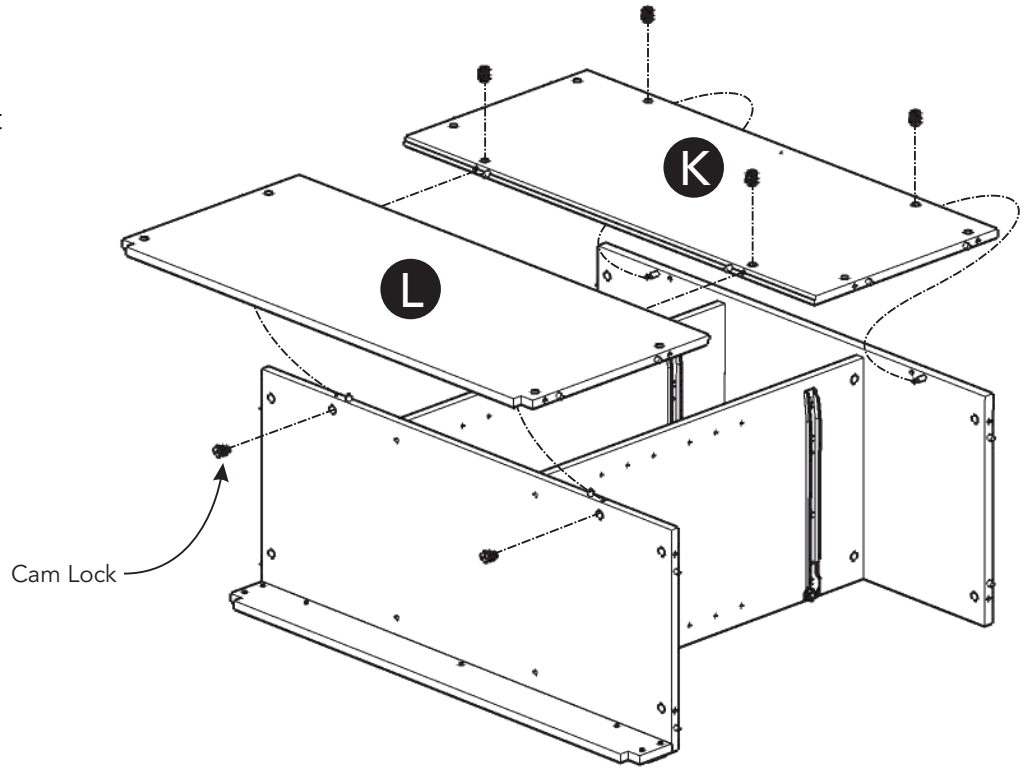
Attach unit from Step 3 to unit from Step 2 with Head Cap Bolts.



STEP 5

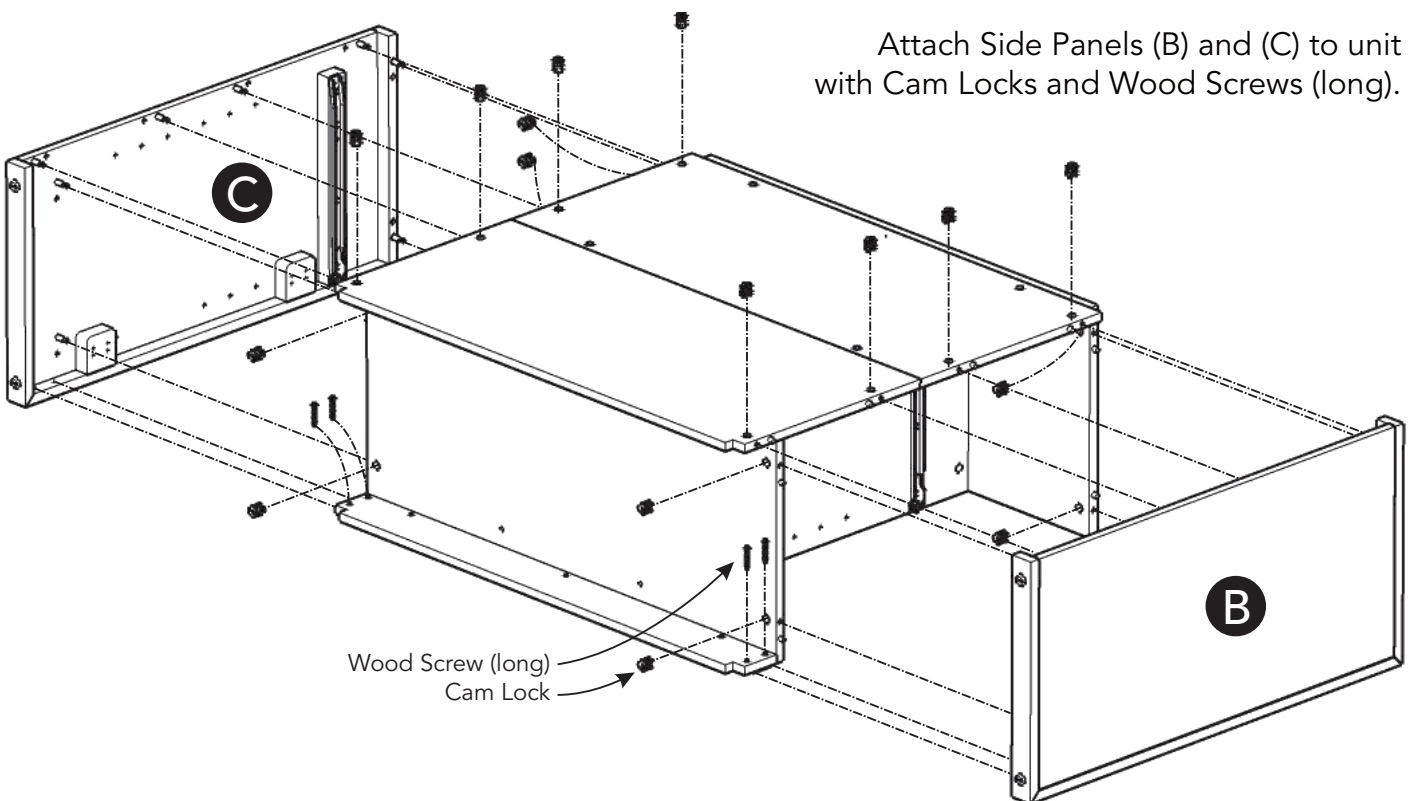
Attach Back Panel (K) to unit with Cam Locks.

Attach Back Panel (L) to unit with Cam Locks.

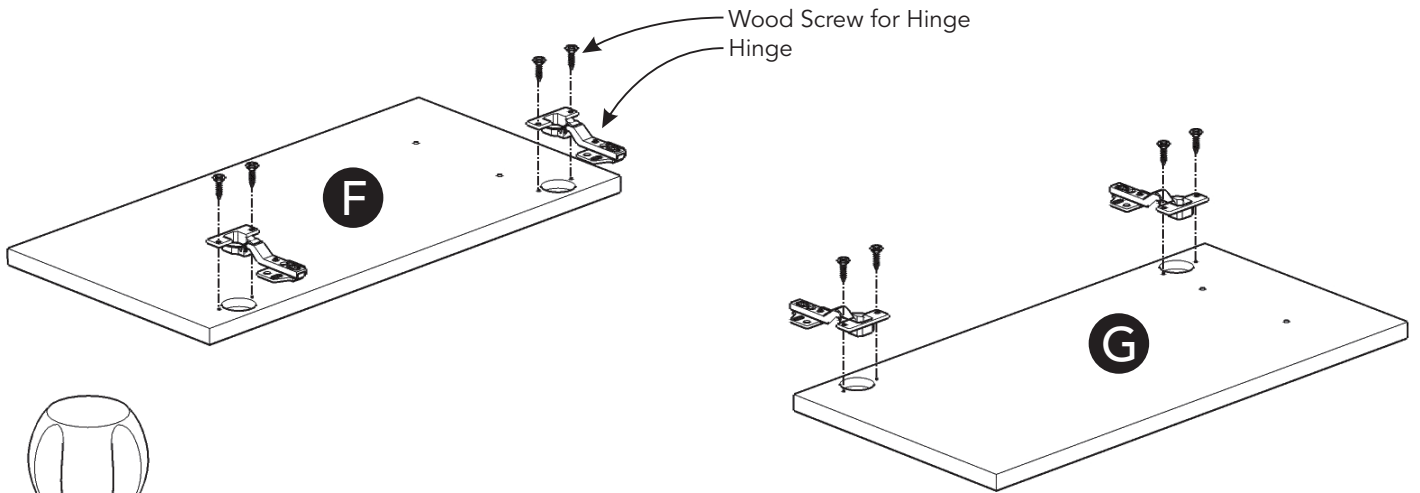


STEP 6

Attach Side Panels (B) and (C) to unit with Cam Locks and Wood Screws (long).



Assembly Instructions 5/11



STEP 7

Attach Hinges to Doors (F) and (G) with Wood Screws for Hinge into pre-drilled holes, then tighten.
(See Figure 3)

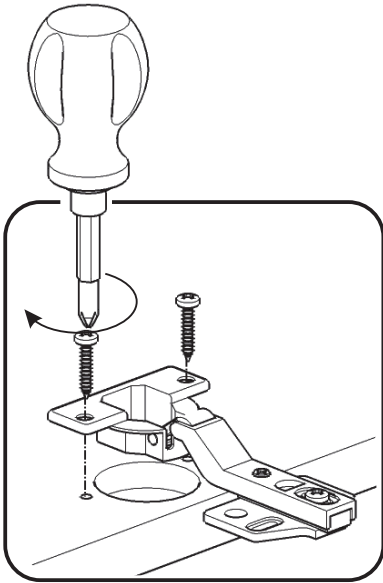


Figure 3

STEP 8

Turn unit to its upright position.

Attach Doors (F) and (G) to unit with Wood Screws for Hinge into pre-drilled holes, then tighten.
(See Figure 4)

Attach Handles to Doors (F) and (G) with Machine Screws.

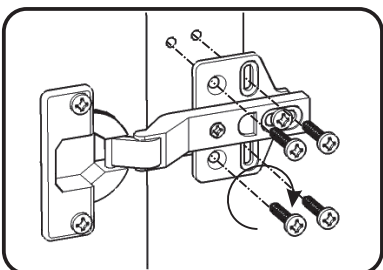
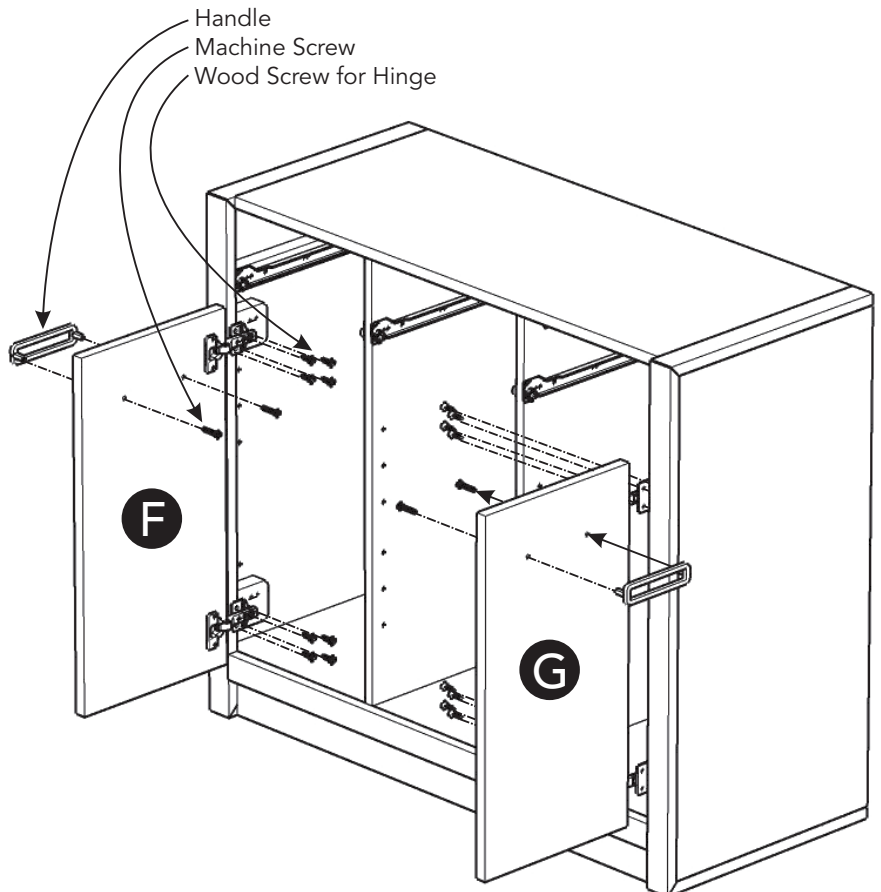
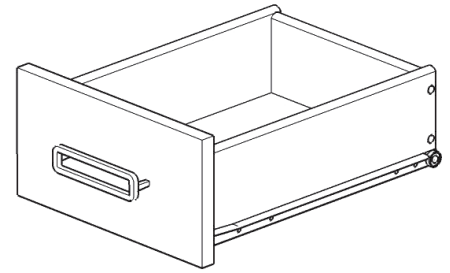
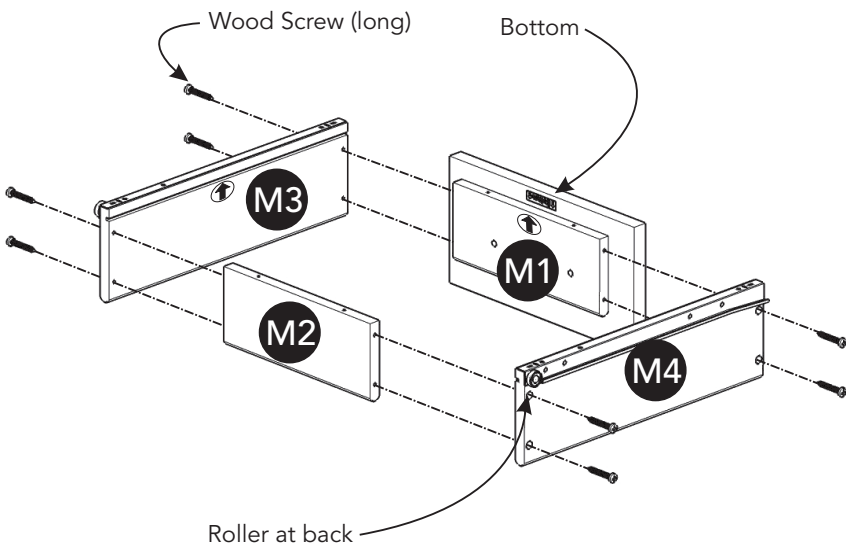


Figure 4

Assembly Instructions 6/11

Drawer (M)



STEP 9

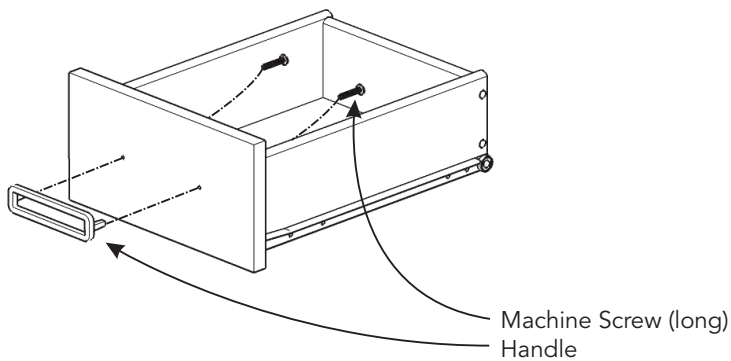
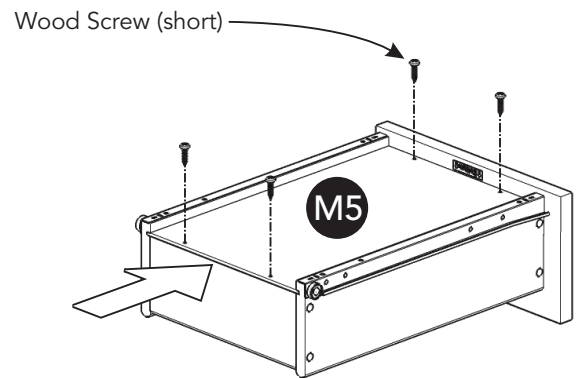
Attach Drawer Front (M1) and Drawer Back (M2) to Drawer Side (M3) with Wood Screws (long).

Attach Drawer Side (M4) to unit with Wood Screws (long).

STEP 10

Slide Drawer Bottom (M5) into groove.

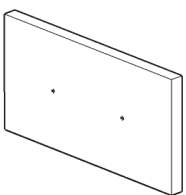
Attach Drawer Bottom (M5) to unit with Wood Screws (short).



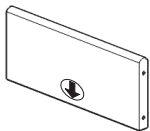
STEP 11

Attach Handle with Machine Screws (long).

Part List



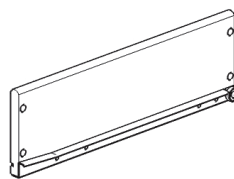
M1.
Drawer Front
1 pc.



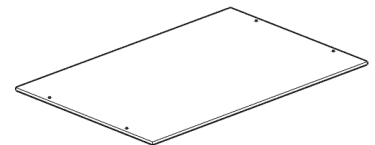
M2.
Drawer Back
1 pc.



M3.
Drawer Side
1 pc.



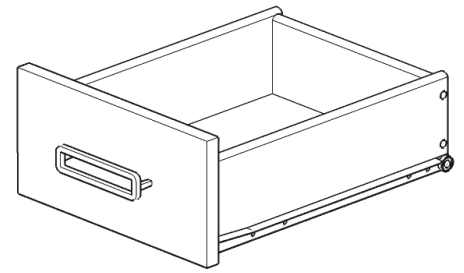
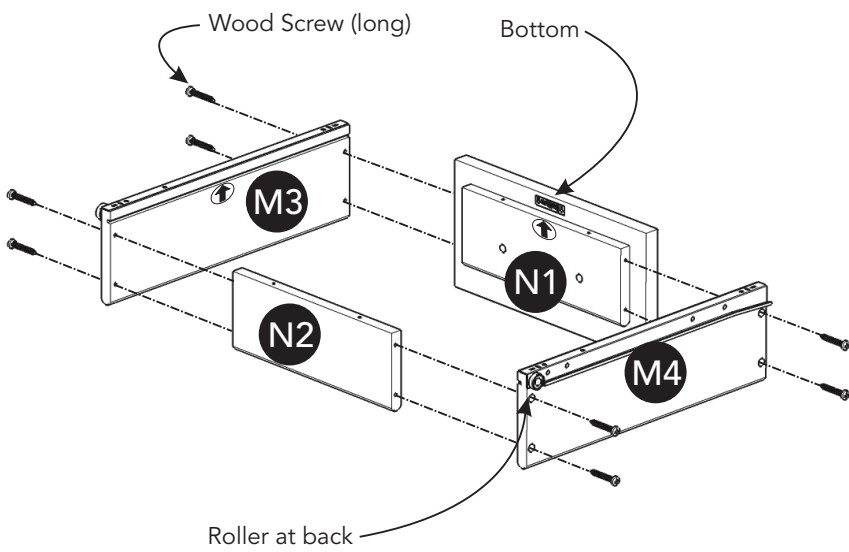
M4.
Drawer Side
1 pc.



M5.
Drawer Bottom
1 pc.

Assembly Instructions 7/11

Drawer (N)



STEP 12

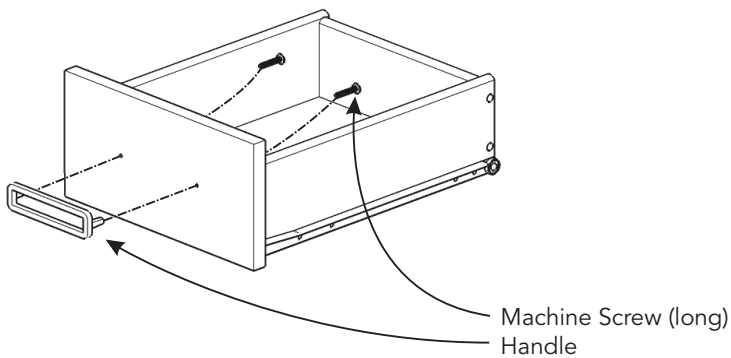
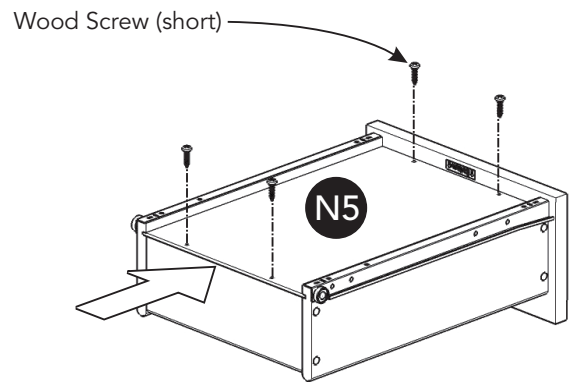
Attach Drawer Front (N1) and Drawer Back (N2) to Drawer Side (M3) with Wood Screws (long).

Attach Drawer Side (M4) to unit with Wood Screws (long).

STEP 13

Slide Drawer Bottom (N5) into groove.

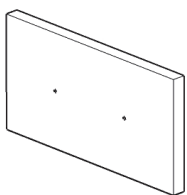
Attach Drawer Bottom (N5) to unit with Wood Screws (short).



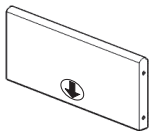
STEP 14

Attach Handle with Machine Screws (long).

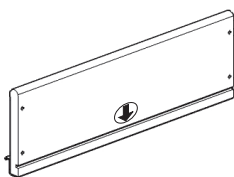
Part List



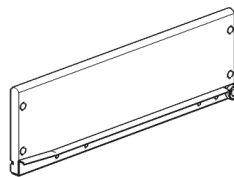
N1.
Drawer Front
1 pc.



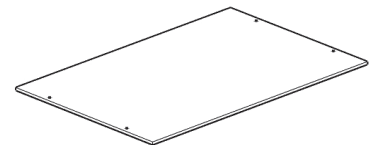
N2.
Drawer Back
1 pc.



M3.
Drawer Side
1 pc.



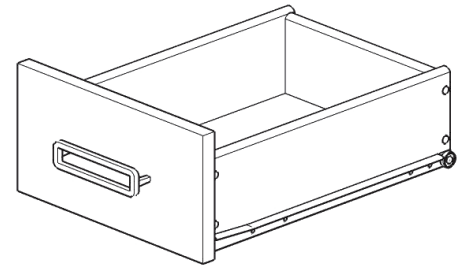
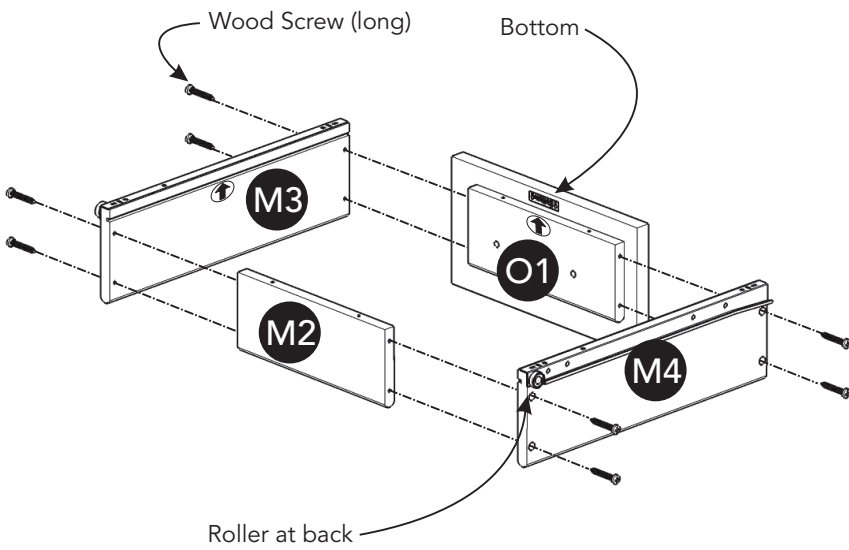
M4.
Drawer Side
1 pc.



N5.
Drawer Bottom
1 pc.

Assembly Instructions 8/11

Drawer (O)



STEP 15

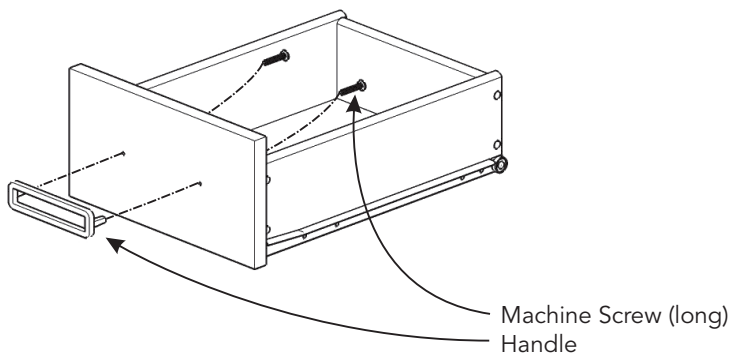
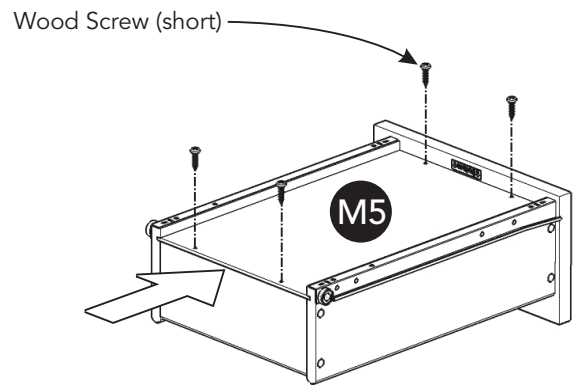
Attach Drawer Front (O1) and Drawer Back (M2) to Drawer Side (M3) with Wood Screws (long).

Attach Drawer Side (M4) to unit with Wood Screws (long).

STEP 16

Slide Drawer Bottom (M5) into groove.

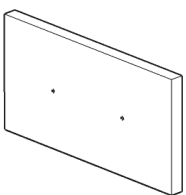
Attach Drawer Bottom (M5) to unit with Wood Screws (short).



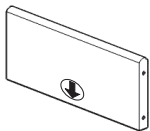
STEP 17

Attach Handle with Machine Screws (long).

Part List



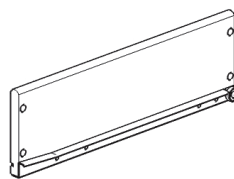
1 pc.



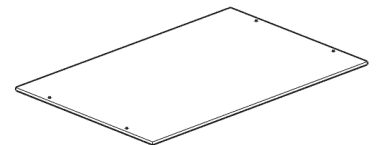
1 pc.



1 pc.



1 pc.



1 pc.

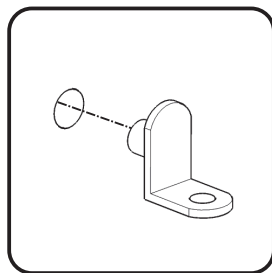
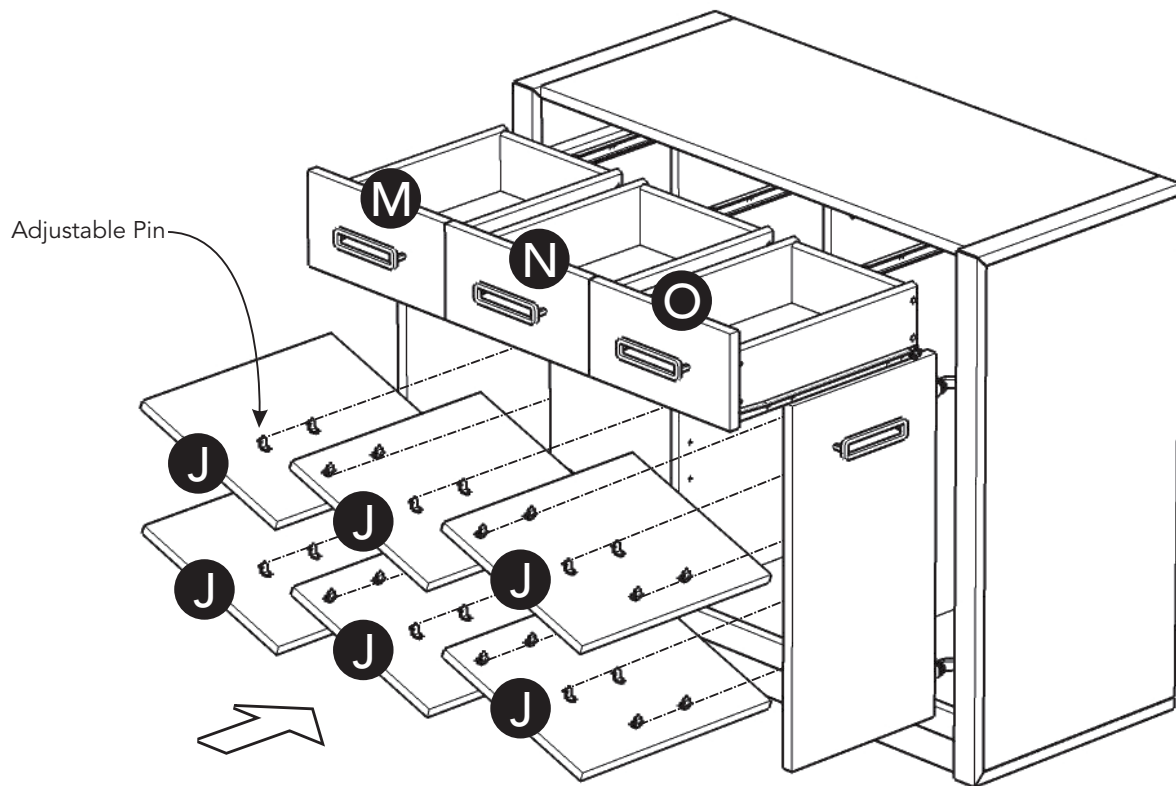


Figure 5

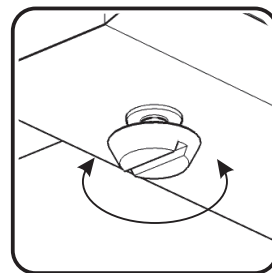


Figure 6

STEP 18

Slide Drawers (M), (N) and (O) into position.

Insert Adjustable Pins into side panels and middle panels at desired level.
(See Figure 5)

Place Shelves (J) into position.

Level unit by adjusting the adjustable levelers on bottom of unit.
(See Figure 6)

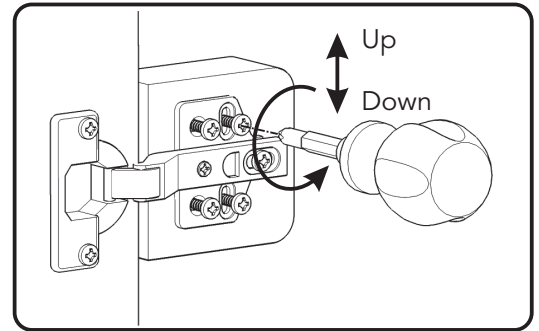
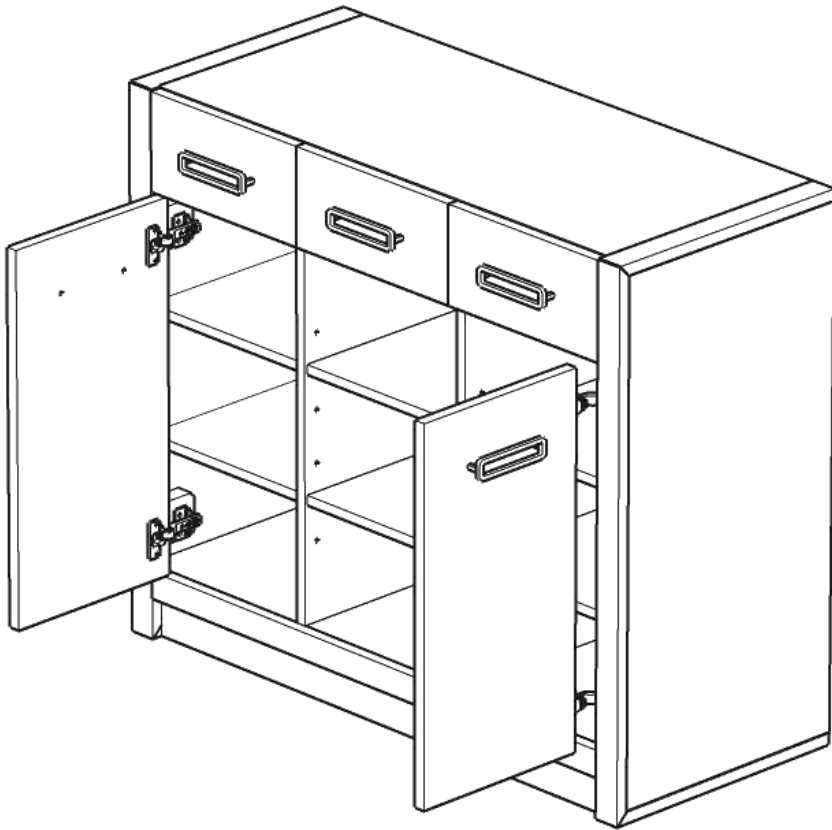


Figure 7

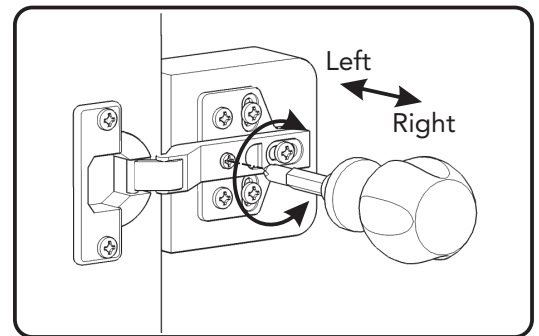


Figure 8

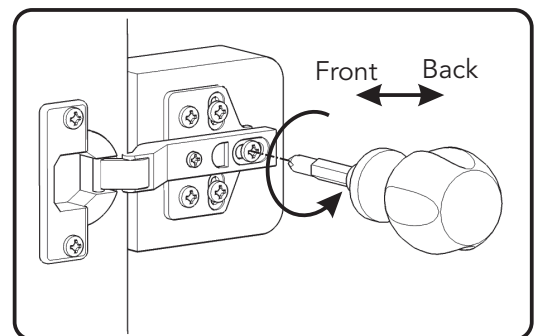


Figure 9

STEP 19

If needed, adjust doors up or down by removing the front Wood Screws for Hinge and loosening slightly the back Wood Screws for Hinge from side panel, adjusting doors up or down and reinstalling screws. (See Figure 7)

If needed, adjust doors left to right. (See Figure 8)

If needed, adjust doors front to back. (See Figure 9)

Assembly Instructions 11/11

IMPORTANT

• To help reduce the risk of the unit tipping over, the Tipover Restraint must be installed following these instructions exactly.

STEP 20

Place unit at desired location.

Drill a 3/8" hole in wall in-line with Pre-drilled hole at top of unit.

Move unit.

Insert Anchor into the wall hole and attach Bracket with Wall Screw.

Attach Bracket at pre-drilled hole at top of unit with Wood Screw.

Move unit back into place.

Slide Tipover Restraint through Bracket on wall and Bracket on unit. (See Figure 10)

Put tie end of Tipover Restraint into lock end of Tipover Restraint and pull until tight.

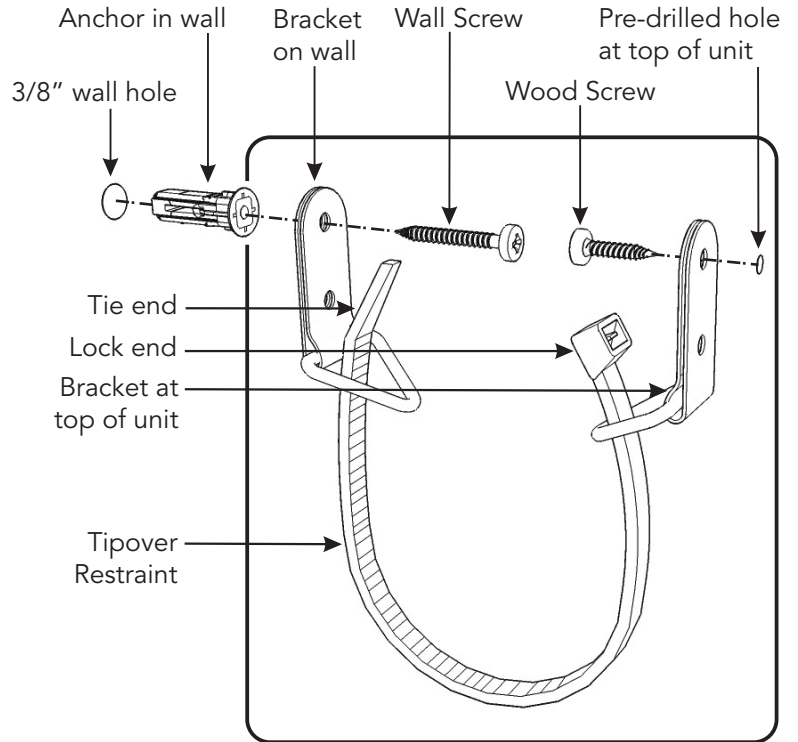
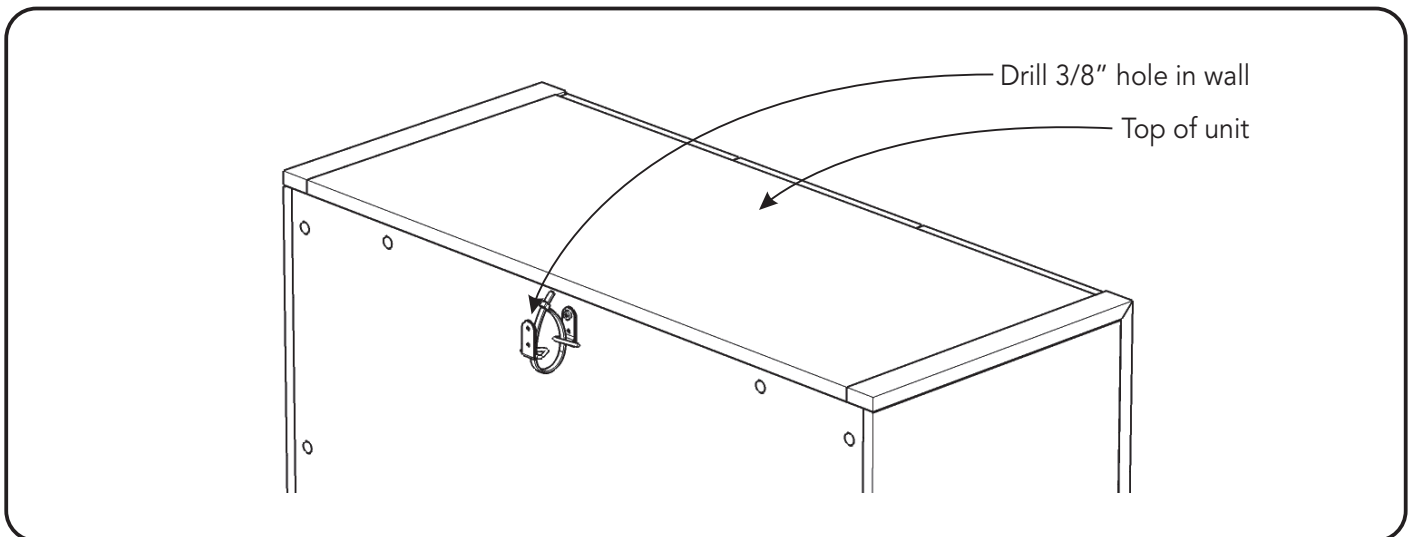
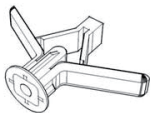


Figure 10



Hardware List



Anchor
1 pc. (+1 extra)



Bracket
2 pcs. (+1 extra)



Tipover Restraint
1 pc. (+1 extra)



M3.5x40
Wall Screw
1 pc. (+1 extra)



M3.5x16
Wood Screw
1 pc. (+1 extra)

CARE INSTRUCTIONS

NEVER

allow liquids to remain on furniture.
Absorption causes parts to warp
and split and finishes to delaminate.

NEVER

use glass cleaners on
finished furniture. Ammonia
chemically attacks the finish.



Do not use power tools
above 8 volts to assemble.

**PREVENT
CRACKING**



Do not place
in direct sunlight.

**PREVENT
FADING**



Do not write
directly on surface.

**PREVENT
MARKING**



Do not place hot
objects on surface.

**PREVENT
FINISH DAMAGE**



Do not use rubber
based placemats.

**PREVENT
DISCOLORING**



Do not use commercial
waxes and polishes.

**PREVENT
YELLOWING**

CLEAN

with a soft cloth moistened
in lukewarm soap and water.
Buff with a dry clean cloth.



Home Styles will provide replacements free of charge for missing or damaged hardware or parts within 30 days of purchase. Digital images of the defective parts may be required. If the product was not purchased from an authorized retail affiliate, Home Styles is under no obligation to provide replacement parts. Parts are not available for fully assembled items nor are parts available for sale. Replacements for missing or damaged hardware or parts may be requested at:

www.homestyles-furniture.com/customer-service/replacement-parts

Home Styles Customer Service: www.homestyles-furniture.com,
servicedesk@homestyles-furniture.com, 888-680-7460, 877-831-0319