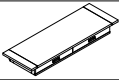
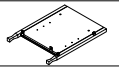
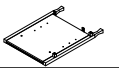

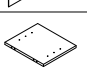




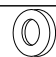



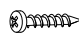


## Assembly Instructions, #11260 Ironcraft Metal And Wood 54"W TV Console

### Parts List

Item	Parts	Description	Quantity
A		Top Panel	1
B		Right Side Frame	1
C		Left Side Frame	1
D		Back Panel	1
E		Center Vertical Panel	1
F		Bottom Panel	1
G		Shelves	2

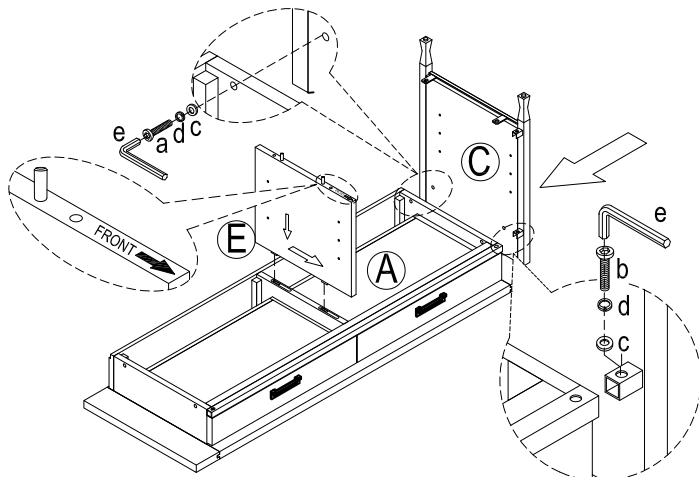
### Hardware List

Item	Hardware	Description	Quantity
a		Long Allen Bolts	6
b		Short Allen Bolts	8
c		Flat Washers	14
d		Lock Washers	14
e		Allen Wrench	1
f		Shelf Supports	8
g		Wood Screws	13

### Assembly Steps

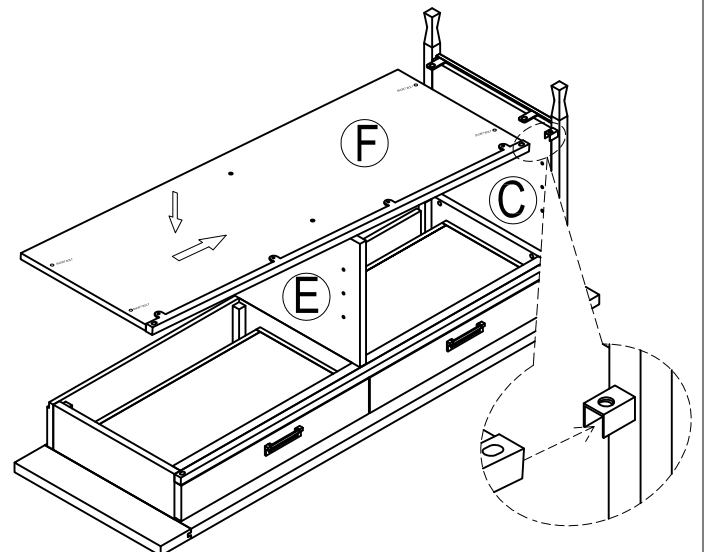
#### Step 1

- 1.1 Lay the Top Assembly (A) upside-down on a soft surface.
- 1.2 Insert the center vertical panel's fastening hardware onto the top assembly with the front arrow sticker pointing to the drawer front, push down the center vertical panel to make it tight while sliding its fastening hardware from back to front direction as shown by arrows.
- 1.3 Insert left side frame (C) into the Top Assembly's tube, push and fasten with two Long Bolts from the inner side of top assembly and one short bolt on the end of Top Assembly's tube.



#### Step 2

- 2.1 Slightly tilt the bottom panel (F) while inserting to the side frame's metal tube.
- 2.2 Align the panel horizontally to have the center vertical panel's (E) wooden dowels inserted onto bottom panel's holes underneath.

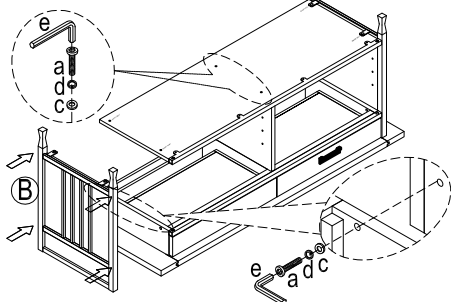


# Assembly Steps

## Step 3

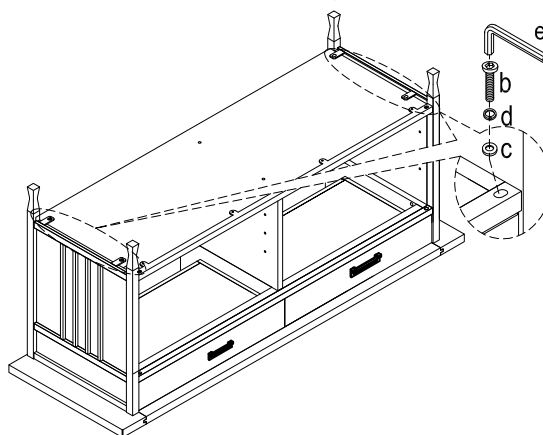
3.1 Fasten the bottom panel to the center vertical panel with 2 long bolts.

3.2 Insert the right side frame (B) onto top assembly tube and bottom panel's tube, fasten with two Long Bolts from the inner side of top assembly and one short bolt on the end of Top Assembly's tube.



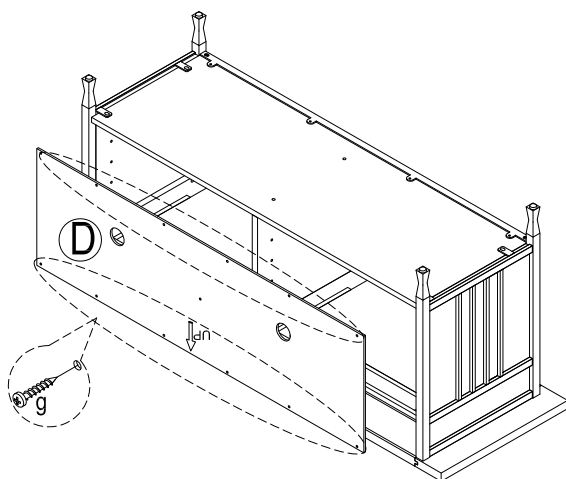
## Step 4

4.1 Push the side frame towards the shelf and fasten with 3 short bolts on each side as per following sketch.



## Step 5

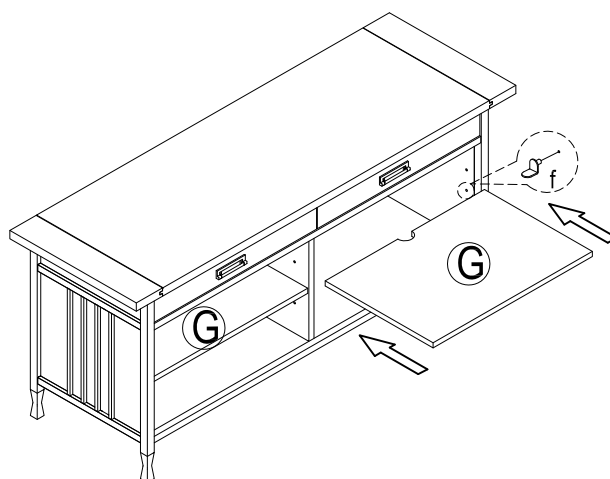
5.1 Fasten the back panel using 13 screws with the "up" sticker at back panel pointing down.



## Step 6

6.1 Place the TV cabinet upright.

6.2 Install the shelf supports (f) and place the shelves (G) on.



## Step 7

7.1 Cut the strings that held drawers pulls in place during transit.

7.2 Adjust levelers on the bottom of leg frames if needed.

