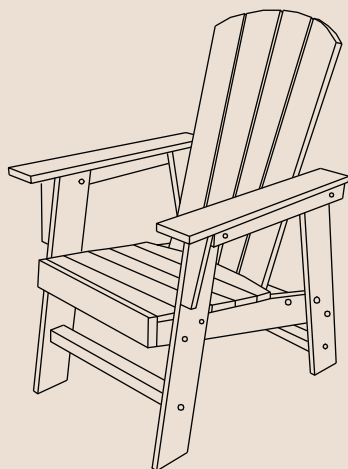
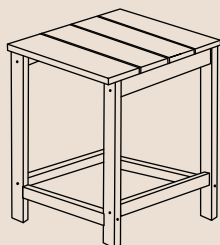
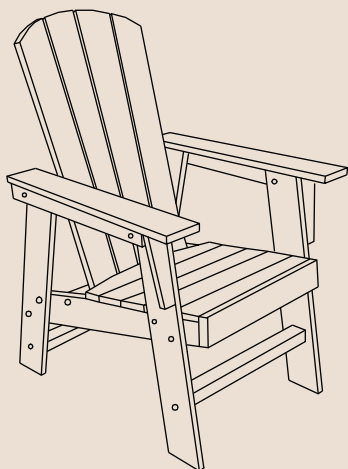


WWT
WESTINTRENDS
WWT

DESIGNED IN CALIFORNIA



KIDS 3-PIECE POLY SET

THANK YOU!

We appreciate you for choosing WestinTrends!

Thank you for letting WestinTrends continue to offer accessible luxury trends, inspired by everyone!

JOIN THE WESTINTRENDS COMMUNITY

Sign up here:

[*https://westintrends.com/welcome*](https://westintrends.com/welcome)



QUESTIONS OR COMMENTS?

If you have questions reach out to
cs@westintrends.com

FOLLOW, SHARE, & LEARN



PRODUCT REGISTRATION

[*https://westintrends.com/apps/product-registration*](https://westintrends.com/apps/product-registration)



ACCESSIBILITY - COMMUNITY - VALUE - SUSTAINABILITY

TABLE OF CONTENTS

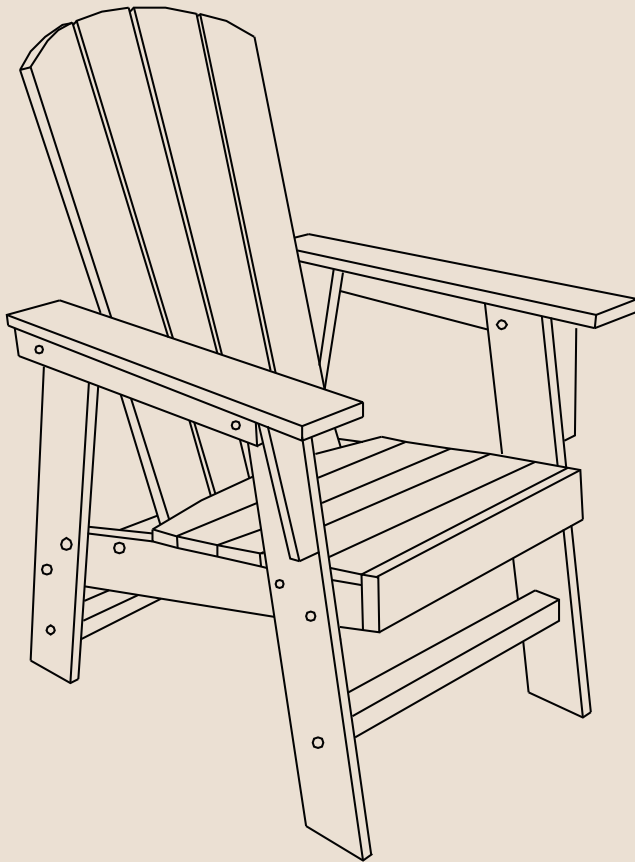
ASSEMBLY INSTRUCTIONS

Kids Outdoor Poly Adirondack Chair 4

Kids Outdoor Poly Adirondack Side Table 11



DESIGNED IN CALIFORNIA



KIDS OUTDOOR POLY ADIRONDACK
CHAIR

! NOTICE

Do not overtighten screws. (Insert all screws before tighten screws.)

- Be careful when assembly, avoid hurting the top surface.
- Clean the table with lukewarm water, mild detergent & soft cloth.
- Firmly secure all bolts before use, do not use any part of this item as a step ladder.
- Reconfirm that all bolts, screws, and nuts are secure every 90 days.
- Do not use or store this item in the proximity of open flame or flammable/combustible chemicals.
- Be aware that some parts are heavy and have sharp edges.
- Do not overtighten screws. (Insert all screws before tighten screws.)
- Please do not exceed the weight limitations of this item.

TOOLS REQUIRED



CHAIR
300 LBS
CAPACITY

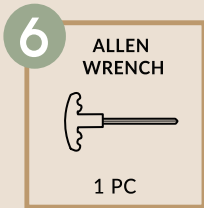
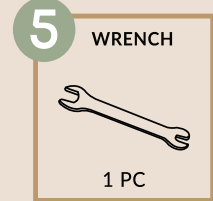
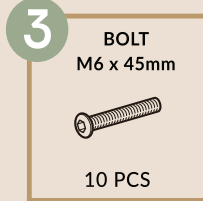


1 PERSON
ASSEMBLY

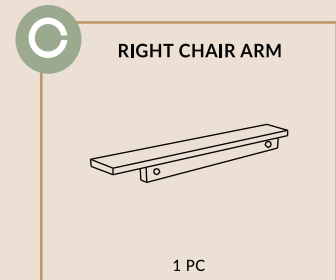
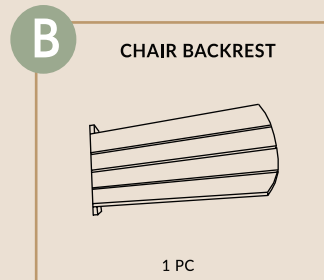
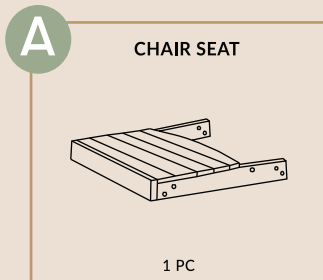


UP TO 20 MIN.
ASSEMBLY

HARDWARE



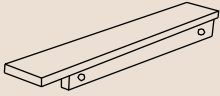
PARTS



PARTS

D

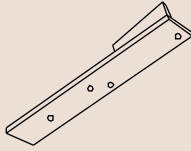
LEFT CHAIR ARM



1 PC

E

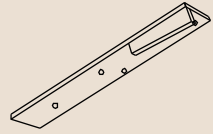
RIGHT CHAIR LEG



1 PC

F

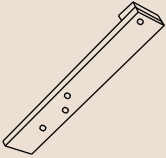
LEFT CHAIR LEG



1 PC

G

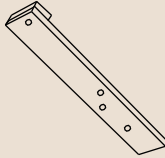
RIGHT REAR LEG



1 PC

H

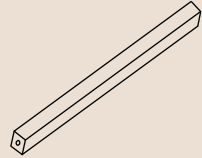
LEFT REAR LEG



1 PC

I

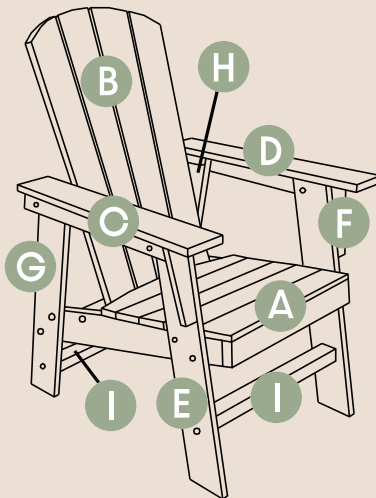
RAIL



2 PCS

PRODUCT ASSEMBLY - OVERALL VIEW

Look at the overall view of this chair and learn the exact position of each part to be assembled.

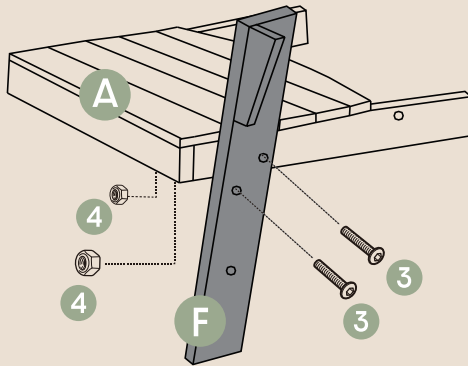


PRODUCT ASSEMBLY

1

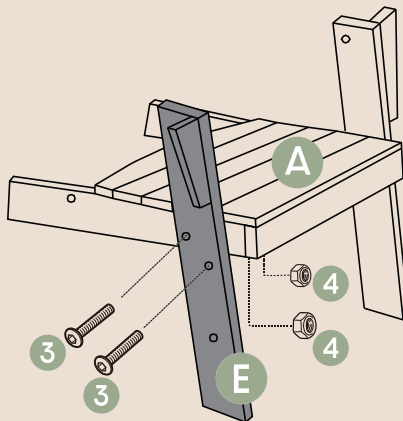
Attach Part F Left Chair Leg to Part A Chair Seat with 2 sets of Hardware #3 Bolt and Hardware #4 Nut.

Do not tighten screws and bolts too much at this stage.



2

Attach Part E Right Chair Leg to the Part A Chair Seat with 2 sets of Hardware #3 Bolt and Hardware #4 Nut.

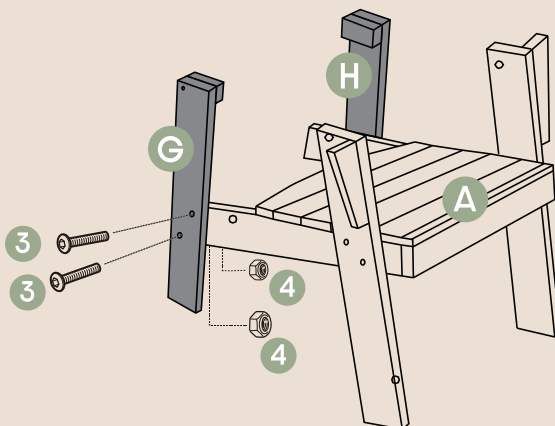


PRODUCT ASSEMBLY

3

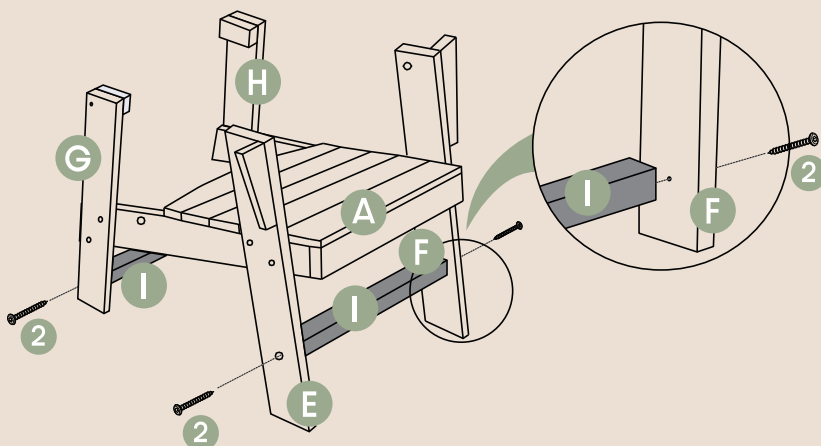
Attach Part G Right Rear Leg to Part A Chair Seat with 2 sets of Hardware #3 Bolt and Hardware #4 Nut.

Do the same of Part H Left Rear Leg to Part A Chair Seat.



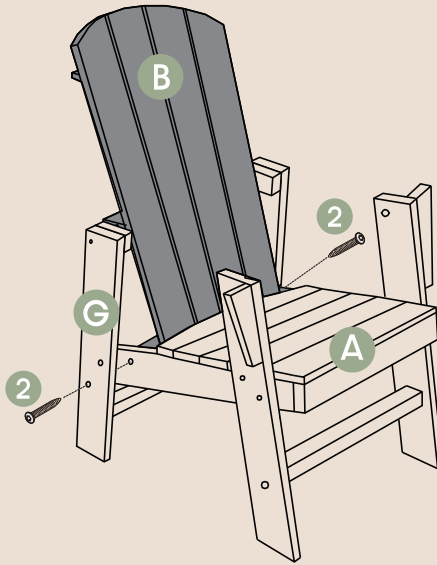
4

Attach Part I Rail to Part E and Part F Chair Legs with 2 pcs of Hardware #2 Screw. Attach Part I Rail to Part G and Part H Rear Legs with 2 pcs of Hardware #2 Screw.



5

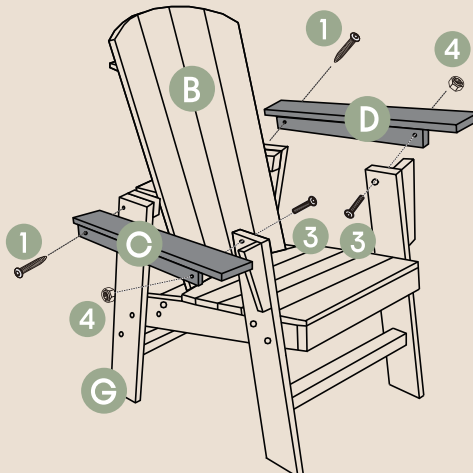
Attach Part B Chair Backrest to Part A Chair Seat with 2 pcs of Hardware #2 Screw.



6

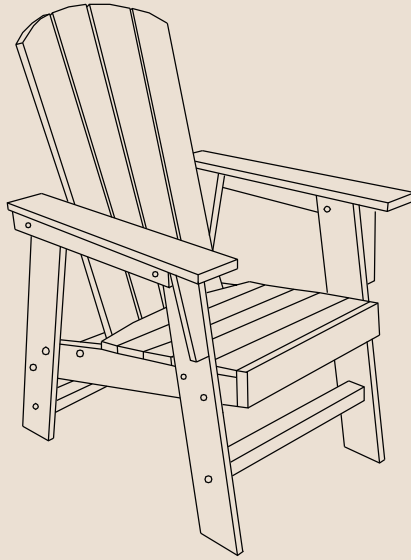
Place Part C Right Chair Arm onto Part E Right Front Leg and Part G Right Rear Leg and fix them with 1 pc of Hardware #1 Screw, 1 set of Hardware #3 Bolt and Hardware #4 Nut.

Do the same to attach another Part D Left Chair Arm to Part F and H Left legs with 1 pc of Hardware #1 Screw, 1 set of Hardware #3 Bolt and Hardware #4 Nut.



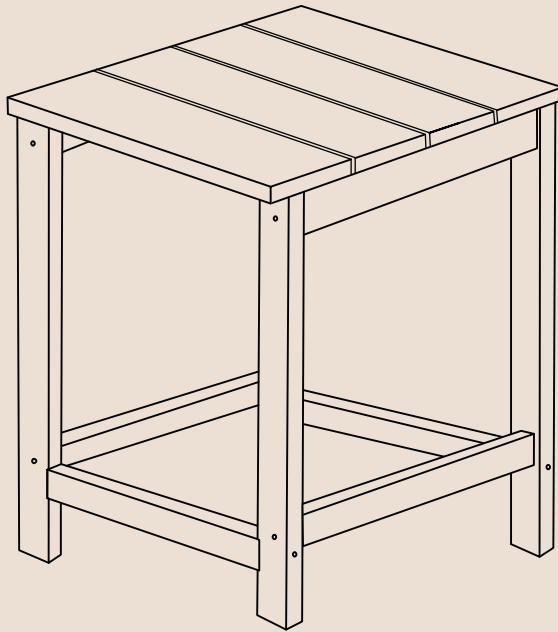
7

Tighten all the bolts and lock nuts as well as the screws again to ensure the steady of this chair.





DESIGNED IN CALIFORNIA



KIDS OUTDOOR POLY ADIRONDACK SIDE
TABLE

! CARE & MAINTENANCE

Please keep this instruction for your future reference.

- Be careful when assembly, avoid hurting the top surface.
- Clean the table with lukewarm water, mild detergent & soft cloth.
- Firmly secure all bolts before use, do not use any part of this item as a step ladder.
- Reconfirm that all bolts, screws, and nuts are secure every 90 days.
- Do not use or store this item in the proximity of open flame or flammable/combustible chemicals.
- Be aware that some parts are heavy and have sharp edges.
- Do not overtighten screws.(Insert all screws before tighten screws.)
- Please do not exceed the weight limitations of this item.

TOOLS REQUIRED



TABLE
50 LBS
CAPACITY



HARDWARE

1

SCREW
M6 x 55mm



12 PCS

2

ALLEN
WRENCH

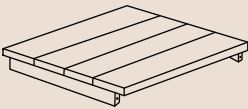


1 PC

PARTS

A

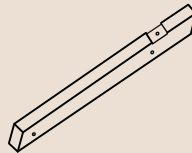
TABLE TOP
WITH APRON



1 PC

B

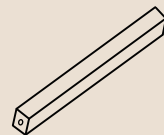
TABLE LEG



4 PCS

C

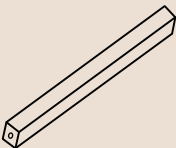
RAIL I



2 PCS

C

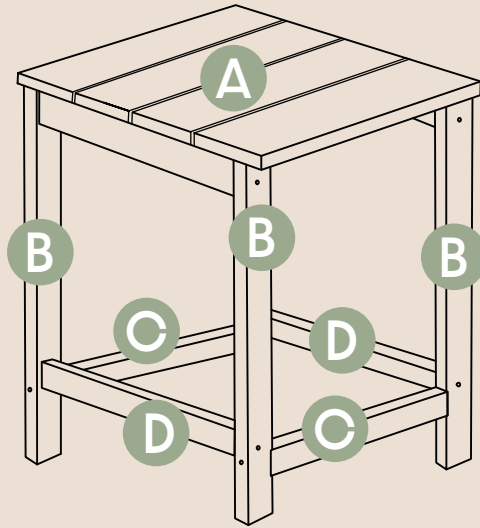
RAIL II



2 PCS

PRODUCT ASSEMBLY - OVERALL VIEW

Look at the overall view of this table and learn the exact position of each part to be assembled.

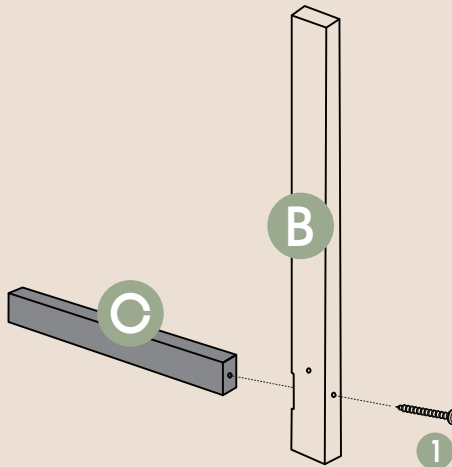


PRODUCT ASSEMBLY

1

Place **Part C Rail I** into the mortise of **Part B Table Legs** and attach with 1 pc of **Hardware #1 Screw**.

Do not tighten screws too much at this stage.

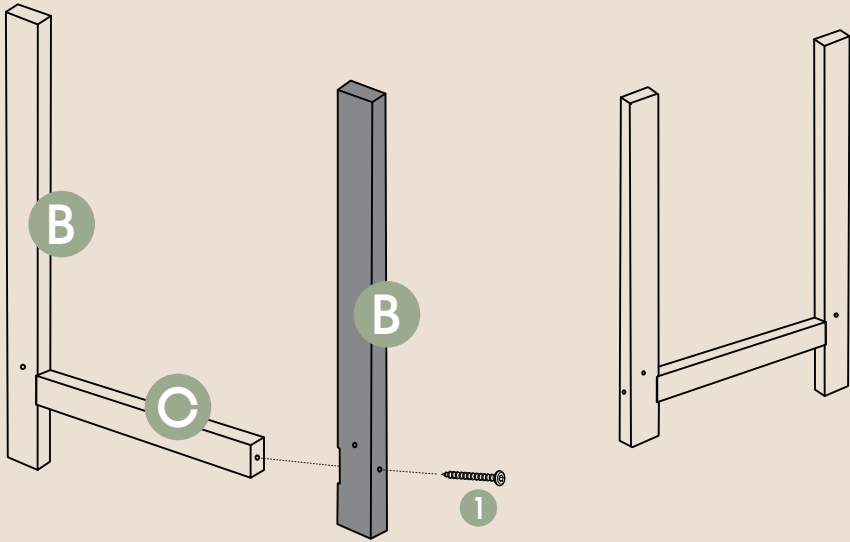


PRODUCT ASSEMBLY

2

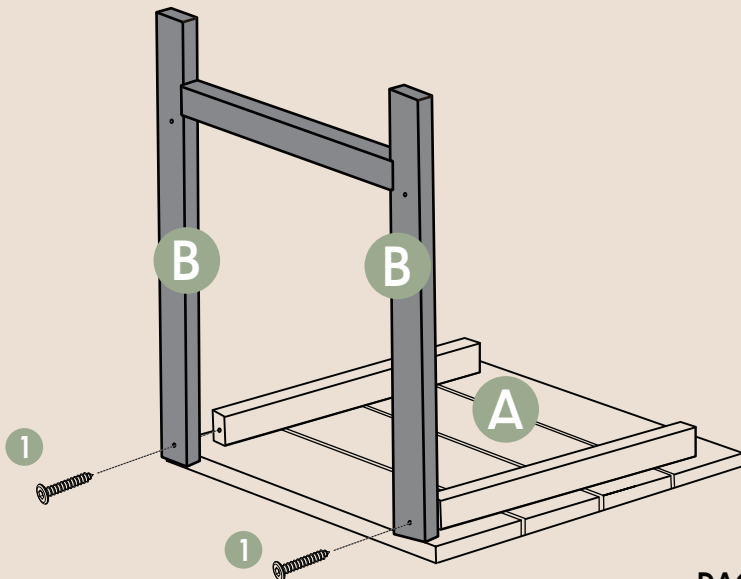
Attach another **Part B Table Legs** to **Part C Rail** with 1 pc of **Hardware #1 Screw**.

Do the same to attach another set of **Part B** and **C**.



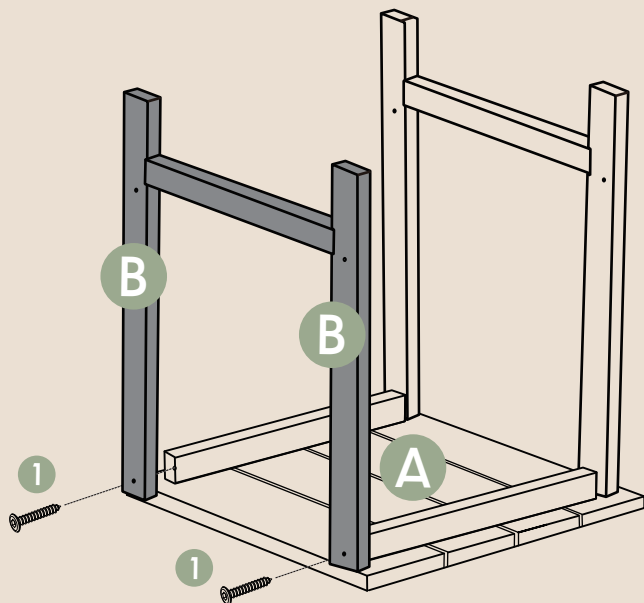
3

Loosely attach the combined **Part B and C** to the aprons of **Part A Table Top** with 2 pcs of **Hardware #1 Screw**.



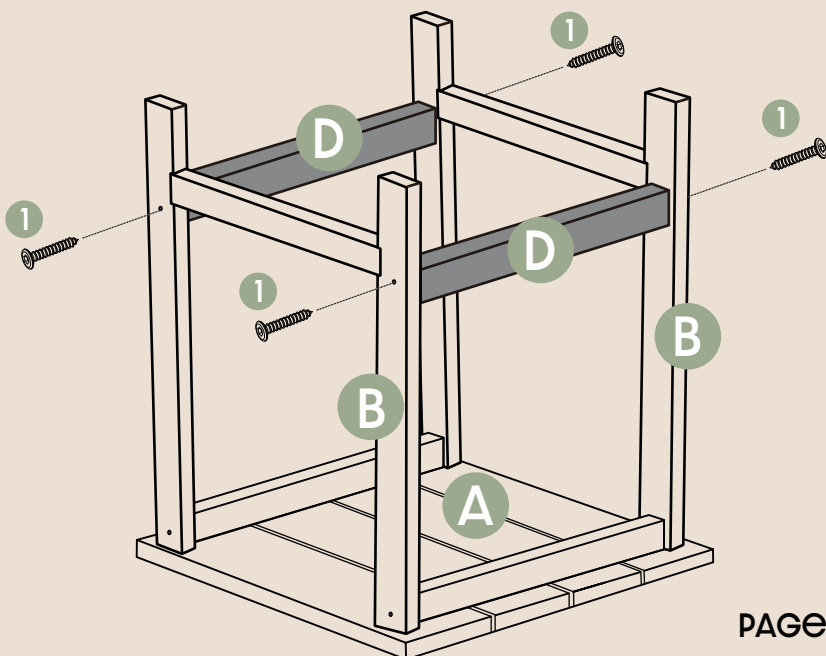
4

Attach the other combined **Part B** and **C** to the aprons of **Part A Table Top** with 2 pcs of **Hardware #1 Screw**.



5

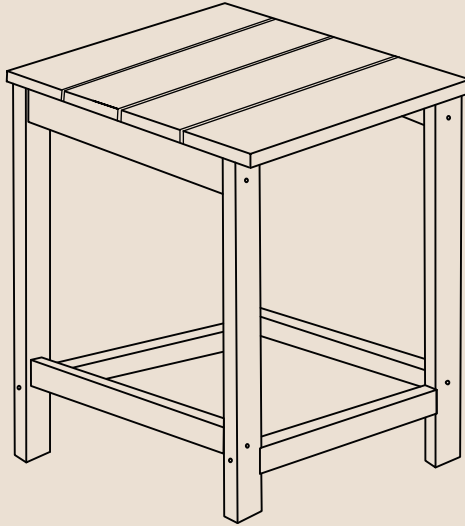
Place the other 2 pcs of **Part D Rail II** between **Part B Table Legs** and attach them with 4 pcs of **Hardware #1 Screw**.



6

Tighten all the screws when all the parts are loosely attached.

Turn over the table and enjoy it now.



REGISTRATION & REFUND POLICY

<https://westintrends.com/apps/product-registration>



<https://westintrends.com/policies/refund-policy>



HAVING TROUBLE

- **Not sure how to assemble or missing pieces?**

Please contact our Customer Service Team for assistance at cs@westintrends.com

Have Order #, Part # or SKU ready to speed up customer service!

CLEANING TIPS

REGULAR CLEAN: Use a mixture of warm water and mild soap. Gently scrub the surface with a soft bristle brush to remove any dirt or stains.

QUICK CLEAN: You can simply wipe down the HDPE furniture with a damp cloth. The material's resilience makes it resistant to most spills and stains, ensuring a hassle-free maintenance routine.

Regular cleaning not only preserves the aesthetic appeal of your furniture but also helps extend its lifespan.

Pressure washer can be used for seriously deep-cleaning - **DO NOT exceed 1500 PSI** - this will remove any debris and dirt.