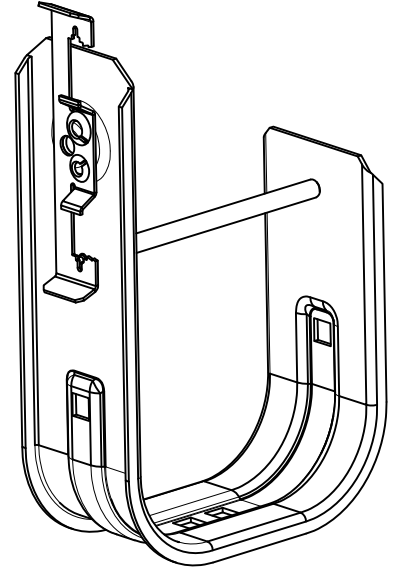
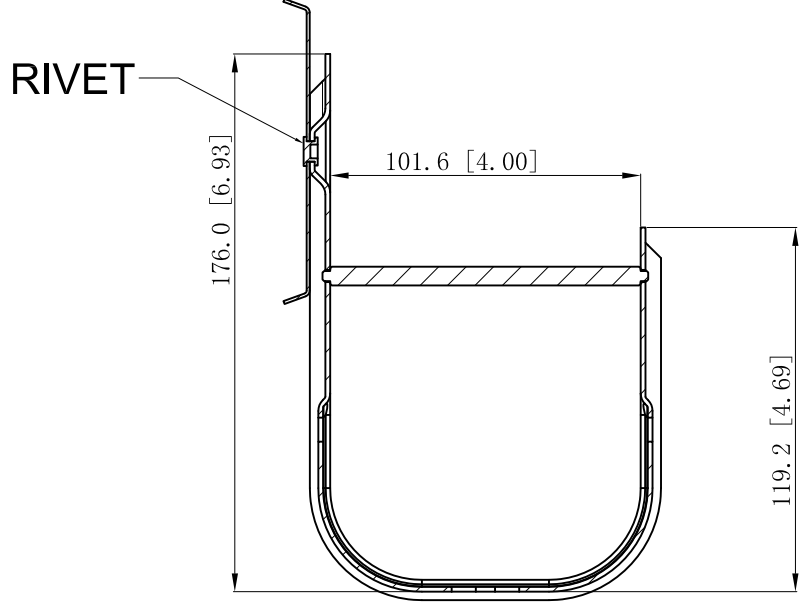
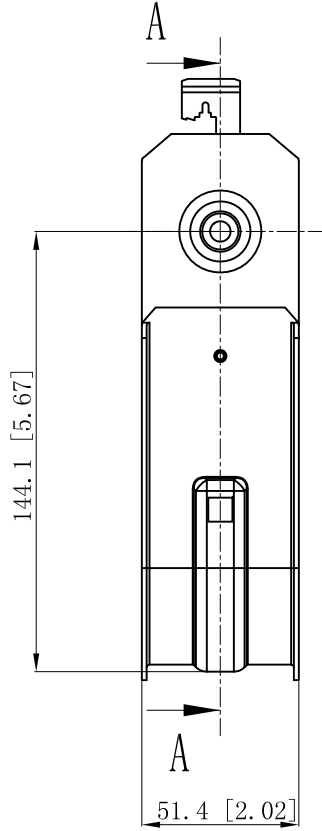


SIDES	BOTTOM
Material:Steel-0.059"-G60 Galvanized	



CUTAWAY VIEW A-A

This data sheet is for reference only .GARVIN INDUSTRIES reserves the right to make changes to the design without prior notice.

DESCRIPTION
TRADE REFERENCE TERMS

STANDARD PACKING
50 PCS

<h1 style="text-align: center;">GARVIN INDUSTRIES</h1>		
<h2 style="text-align: center;">J-HOOKS WITH QUICK CLIPS</h2>		
<small>TITLE</small>	<small>DWG NO.</small>	<small>REV</small>
<small>SIZE</small> A4	JHK-64-BW2	DATA SHEET
www.garvinindustries.com		