

IMPORTANT

Carefully remove all the parts from the carton and place them individually on a soft cloth to prevent scratches or other damage.

Carefully and strictly follow these assembly instructions to ensure a completed product as designed.

Do not use power tools above 8 volts to assemble.

Part List

A.
Top
1 pc.

B.
Side Panel
1 pc.

C.
Side Panel
1 pc.

G.
Back Panel
1 pc.

H.
Back Panel
1 pc.

I.
Bottom
1 pc.

J.
Foot
4 pcs.

D.
Front Rail
1 pc.

E.
Front Rail
3 pcs.

F.
Back Rail
2 pcs.

K.
Drawer
1 pc.

L.
Drawer
3 pcs.

Refer to later page(s) of these instructions for drawer assembly.

Hardware List




Cam Lock Screw
10 pcs. (+2 extra)




Cam Lock
10 pcs. (+2 extra)




M4x51
2" Round Head Screw
4 pcs. (+1 extra)



M3x32
1 1/4" Round Head Screw
6 pcs. (+1 extra)



M3x13
1/2" Round Head Screw
4 pcs. (+1 extra)




M3x32
1 1/4" Flat Head Screw
32 pcs. (+1 extra)



M3x19
3/4" Flat Head Screw
24 pcs. (+1 extra)



Flat Washer
4 pcs. (+1 extra)



Dowel
4 pcs. (+1 extra)



Machine Screw
8 pcs.



Knob
8 pcs.

Tool(s) required for assembly: Phillips screwdriver, Level, Pencil, Drill (8 volts or less), 3/8" Drill Bit

Home Styles Customer Service: www.homestylesfurniture.com,
servicedesk@homestylesfurniture.com, 888-680-7460, 877-831-0319

Assembly Instructions 2/10

IMPORTANT

- Use a soft cloth between these parts and the floor.
- Do not use power tools above 8 volts to assemble.
- Do not tighten all the screws until each part is properly assembled.
- The unit must be level to work properly. Use the included adjustable levelers to level.

STEP 1

Insert Cam Lock Screws into pre-drilled holes in Top (A) and Side Panels (B), (C), then tighten.

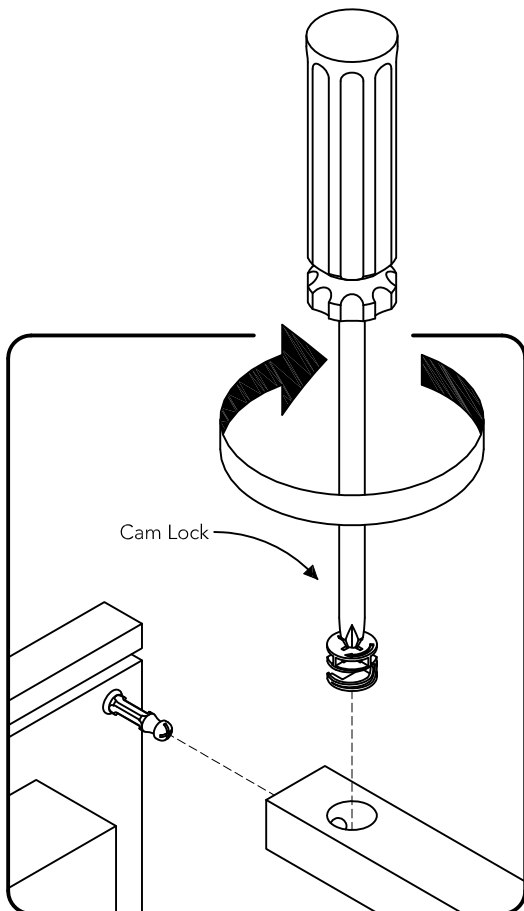
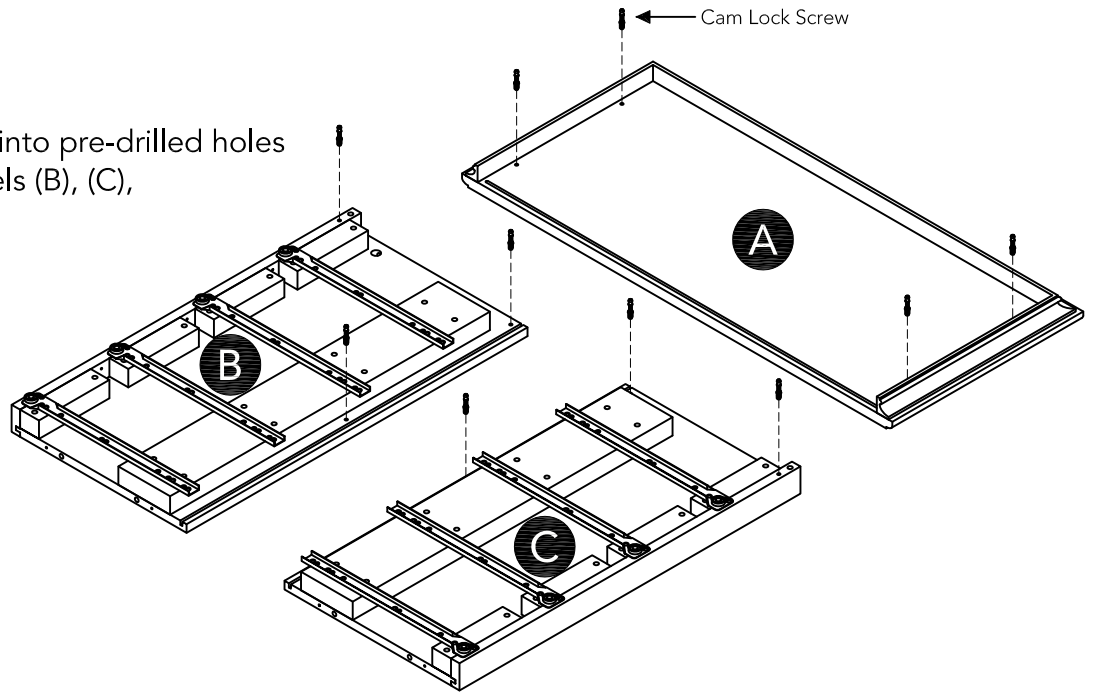
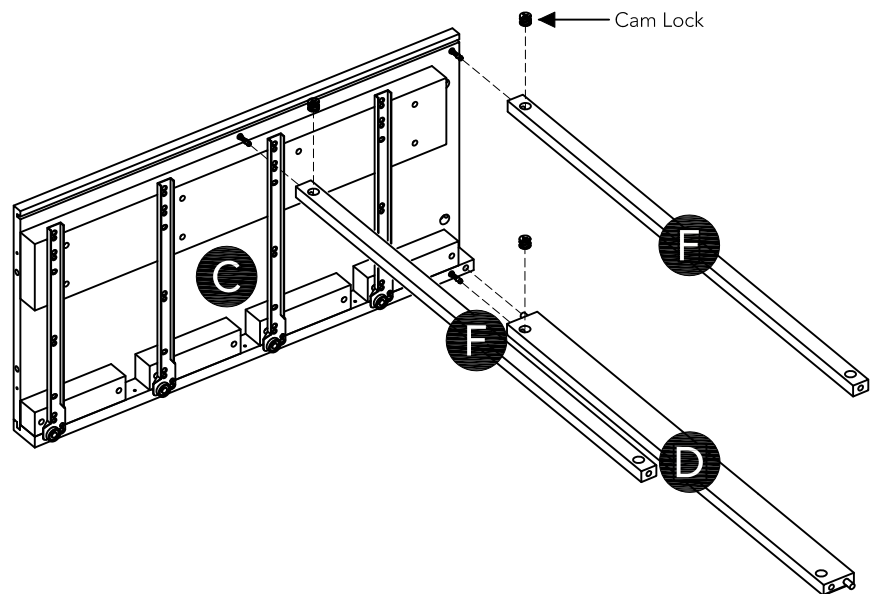


Figure 1



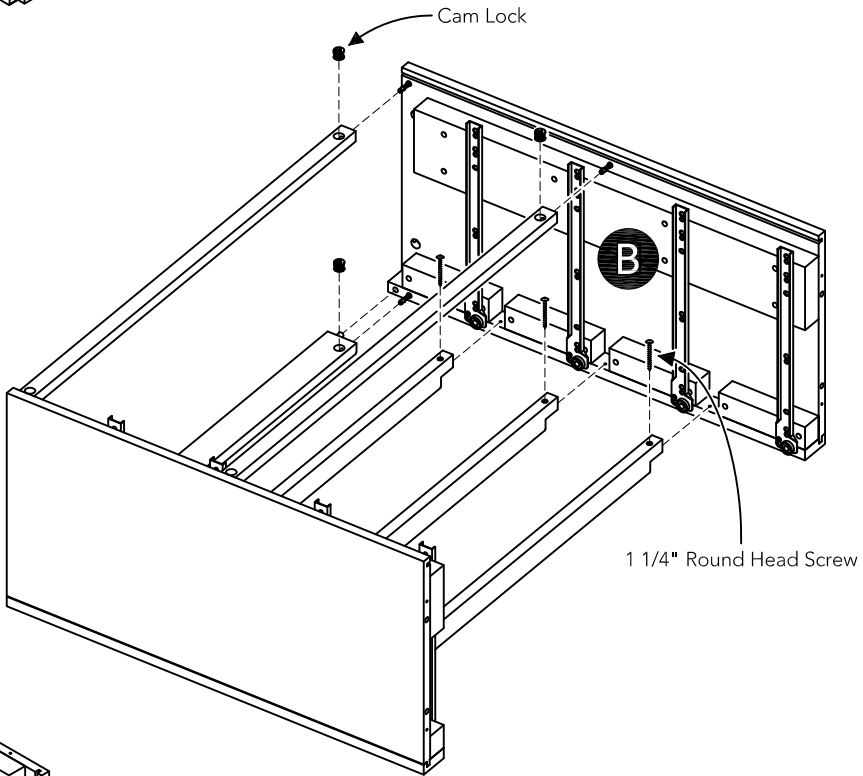
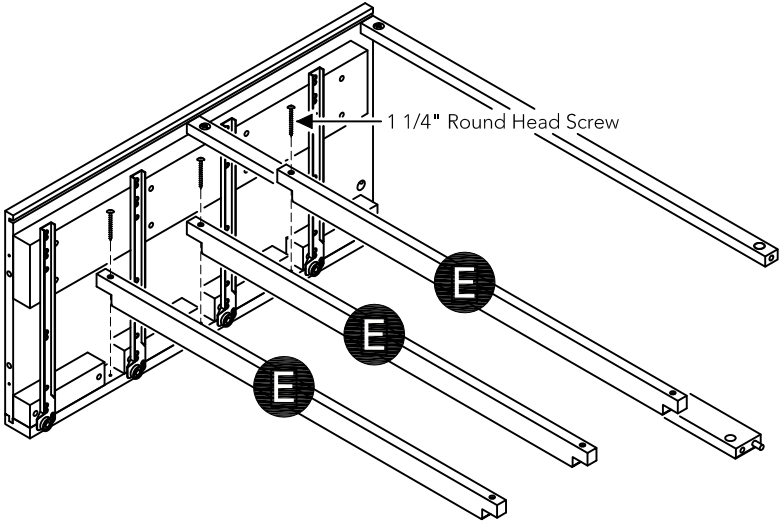
STEP 2

Attach Front Rail (D) and Back Rails (F) to Side Panel (C) with Cam Locks. (See Figure 1)

Assembly Instructions 3/10

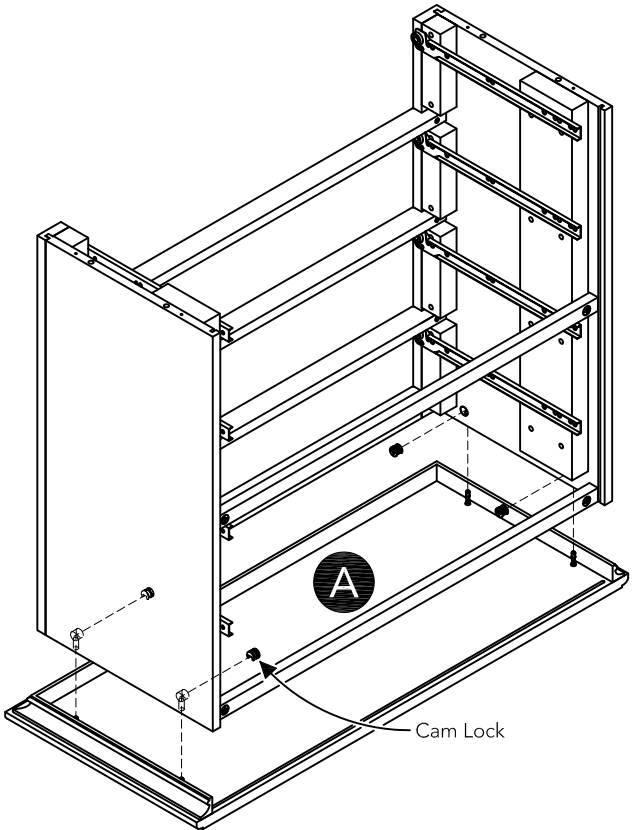
STEP 3

Attach Front Rails (E) to unit with 1 1/4" Round Head Screws.



STEP 4

Attach Side Panel (B) to unit with Cam Locks and 1 1/4" Round Head Screws.

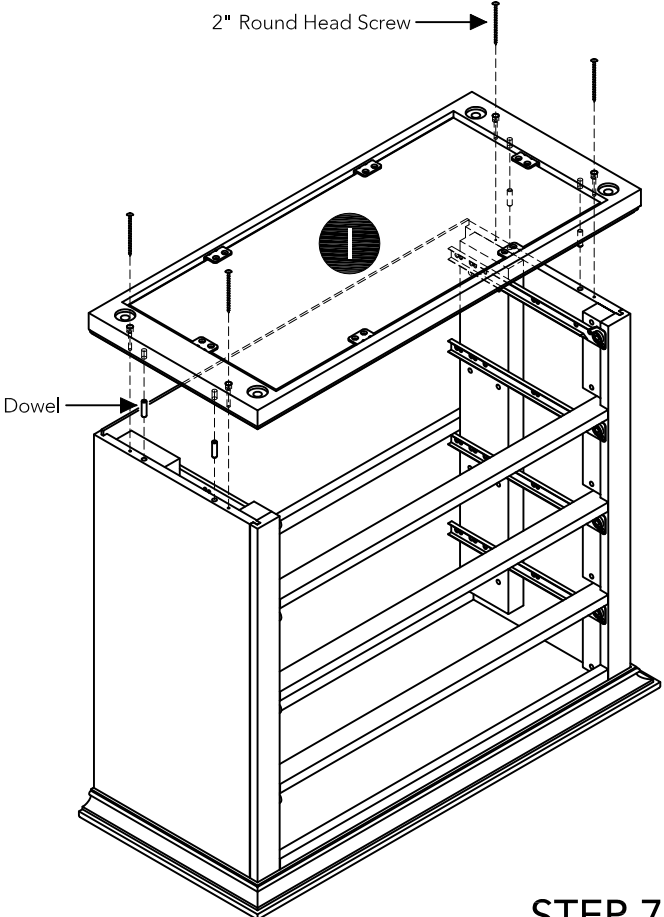
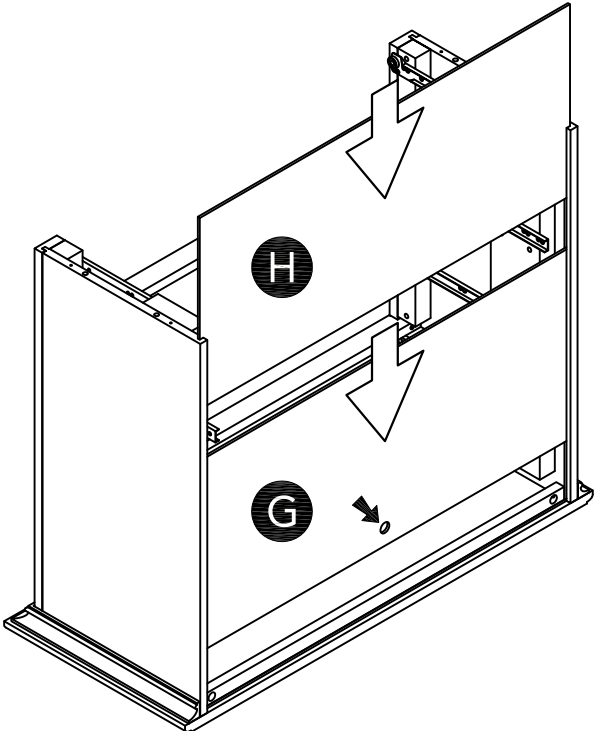


STEP 5

Place Top (A) upside down on a soft cloth.
Attach unit to Top (A) with Cam Locks.

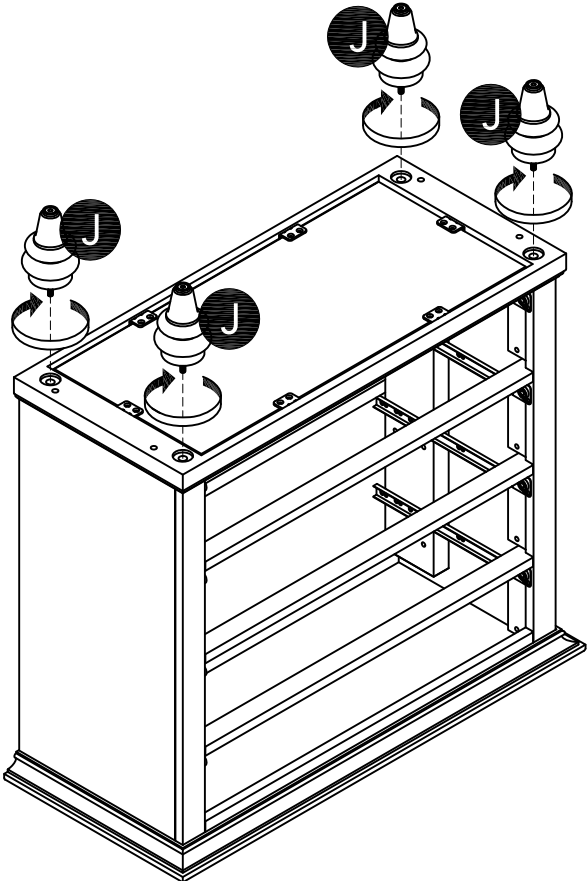
STEP 6

Slide Back Panels (G) and (H) into position.



STEP 7

Attach Bottom (I) to unit with 2" Round Head Screws and Dowels.



STEP 8

Attach Feet (J) to unit.

Flat Washer
1/2" Round Head Screw

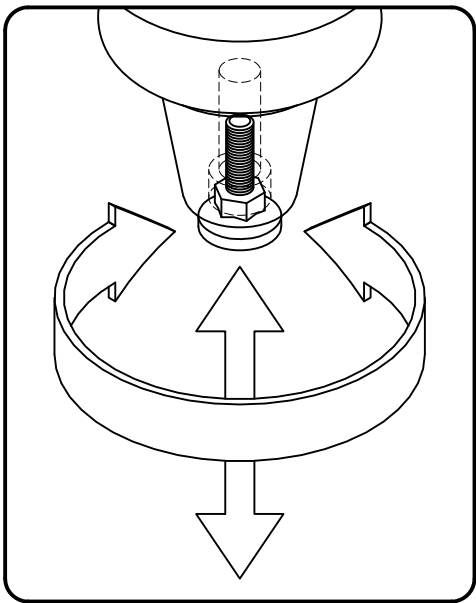
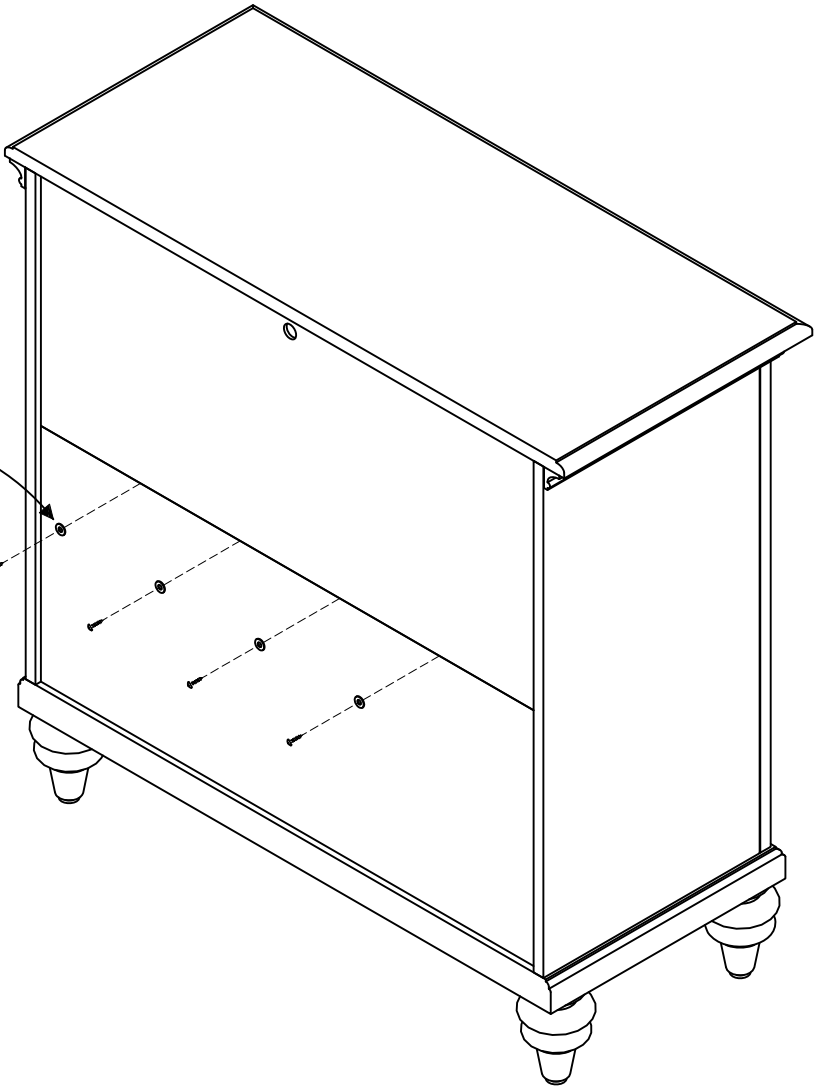


Figure 2

STEP 9

Turn unit over to its upright position.

Level unit by adjusting the adjustable levelers on bottom of feet. (See Figure 2)

Note: Unit must be level to work properly.

Attach 1/2" Round Head Screws and Flat Washers to unit. (See Figure 3)

Note: Unit must be level before tightening these screws.

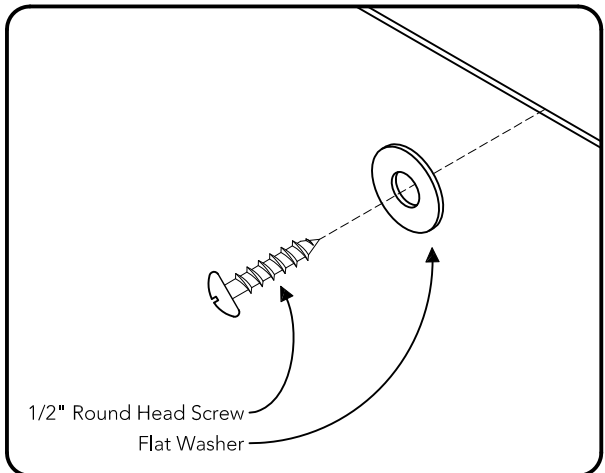


Figure 3

Assembly Instructions 6/10

IMPORTANT

- To help reduce the risk of the unit tipping over, the Tipover Restraint must be installed following these instructions exactly.

STEP 10

Place unit at desired location.

Mark wall with pencil just above and in-line with hole in Back Panel (G). (See Figure 4)

Move unit.

Drill a 3/8" hole in wall 1 1/2" below mark.

Insert Anchor into the wall hole and attach Tipover Restraint to Anchor with 1 1/2" Round Head Screw and Flat Washer. (See Figure 5)

Move unit back into place and insert Tipover Restraint into unit through hole in Back Panel (G). (See Figure 6)

Attach Tipover Restraint to unit with 1/2" Round Head Screw and Flat Washer. (See Figure 7)

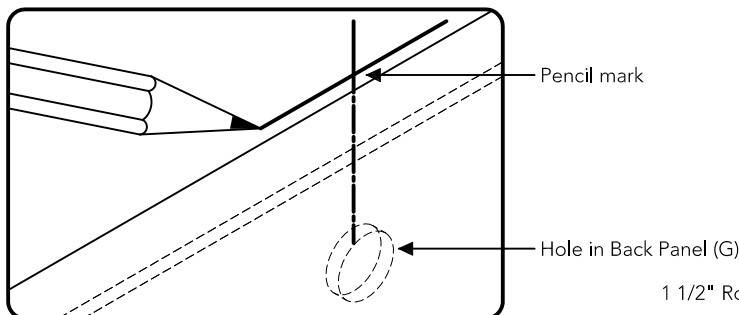
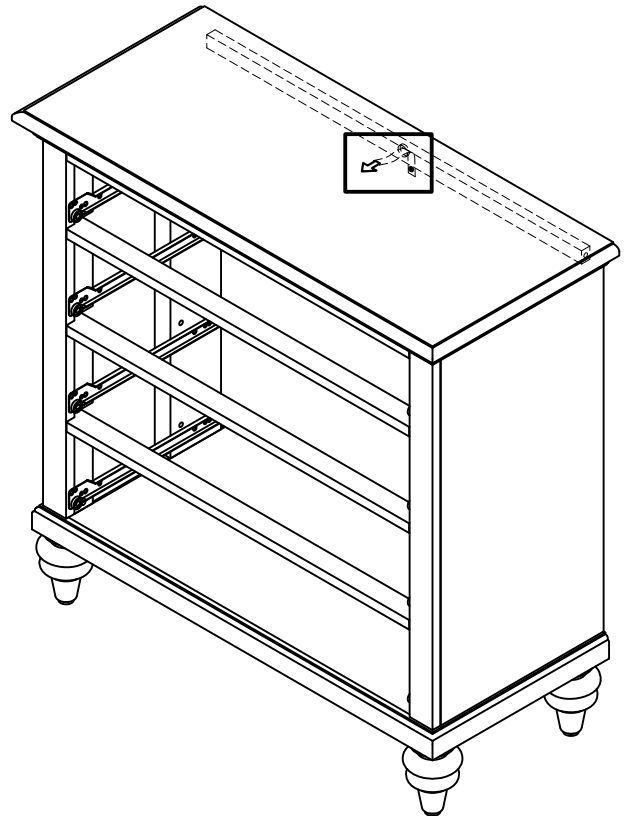


Figure 4

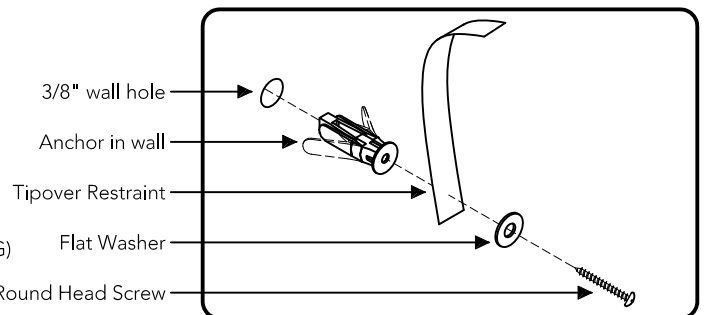


Figure 5

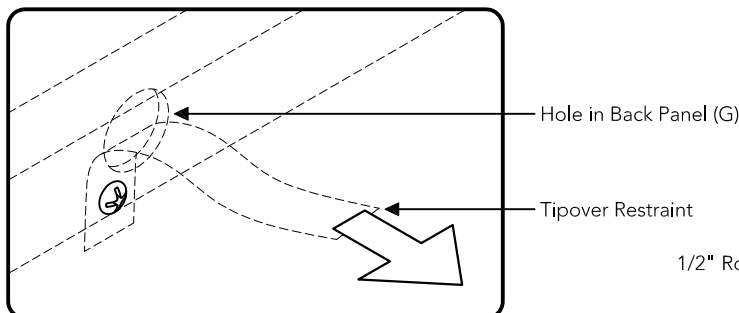


Figure 6

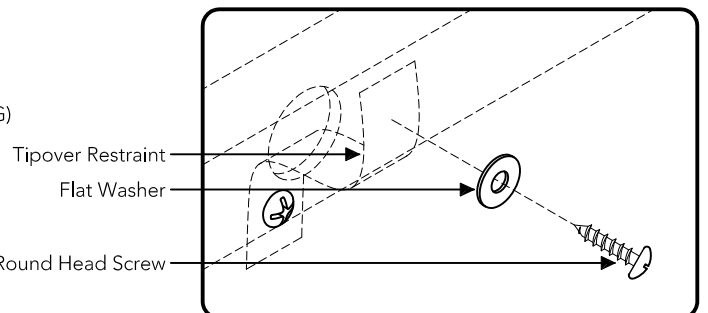
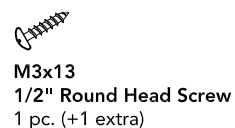
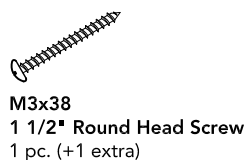
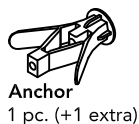


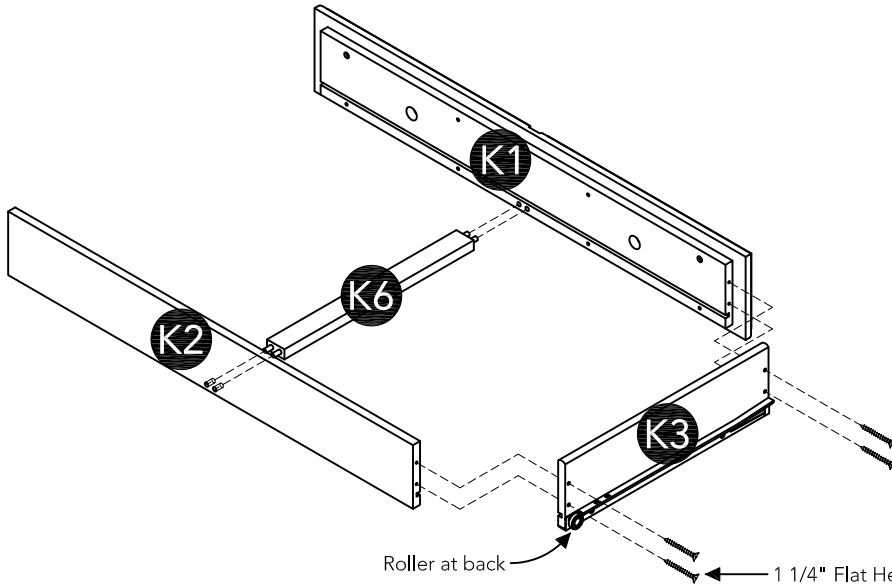
Figure 7

Hardware List



Assembly Instructions 7/10

Drawer (K)



STEP 11

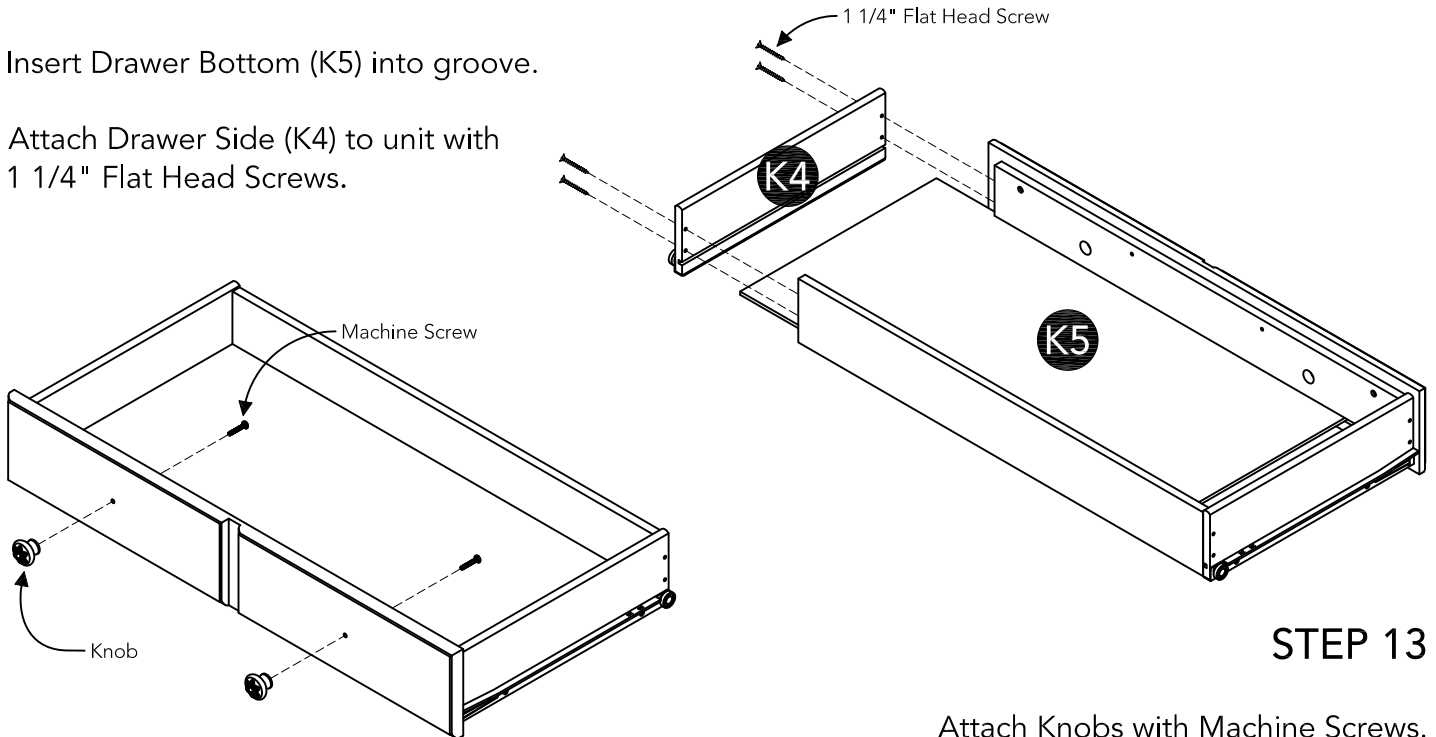
Attach Support (K6) to Drawer Front (K1) and Drawer Back (K2).

Attach Drawer Side (K3) to Drawer Front (K1) and Drawer Back (K2) with 1 1/4" Flat Head Screws.

STEP 12

Insert Drawer Bottom (K5) into groove.

Attach Drawer Side (K4) to unit with 1 1/4" Flat Head Screws.

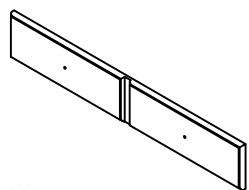


STEP 13

Attach Knobs with Machine Screws.

Note: Drawer assembly is not complete until 3/4" Flat Head Screws are used in a later step.

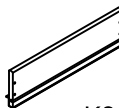
Part List



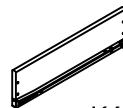
K1.
Drawer Front
1 pc.



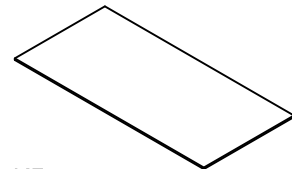
K2.
Drawer Back
1 pc.



K3.
Drawer Side
1 pc.



K4.
Drawer Side
1 pc.



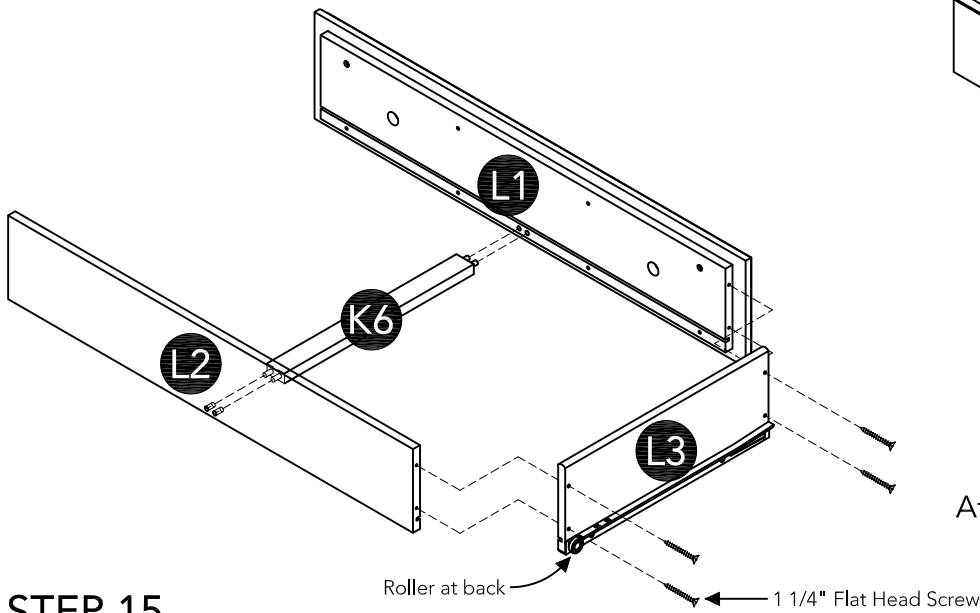
K5.
Drawer Bottom
1 pc.



K6.
Support
1 pc.

Assembly Instructions 8/10

Drawer (L)



STEP 14

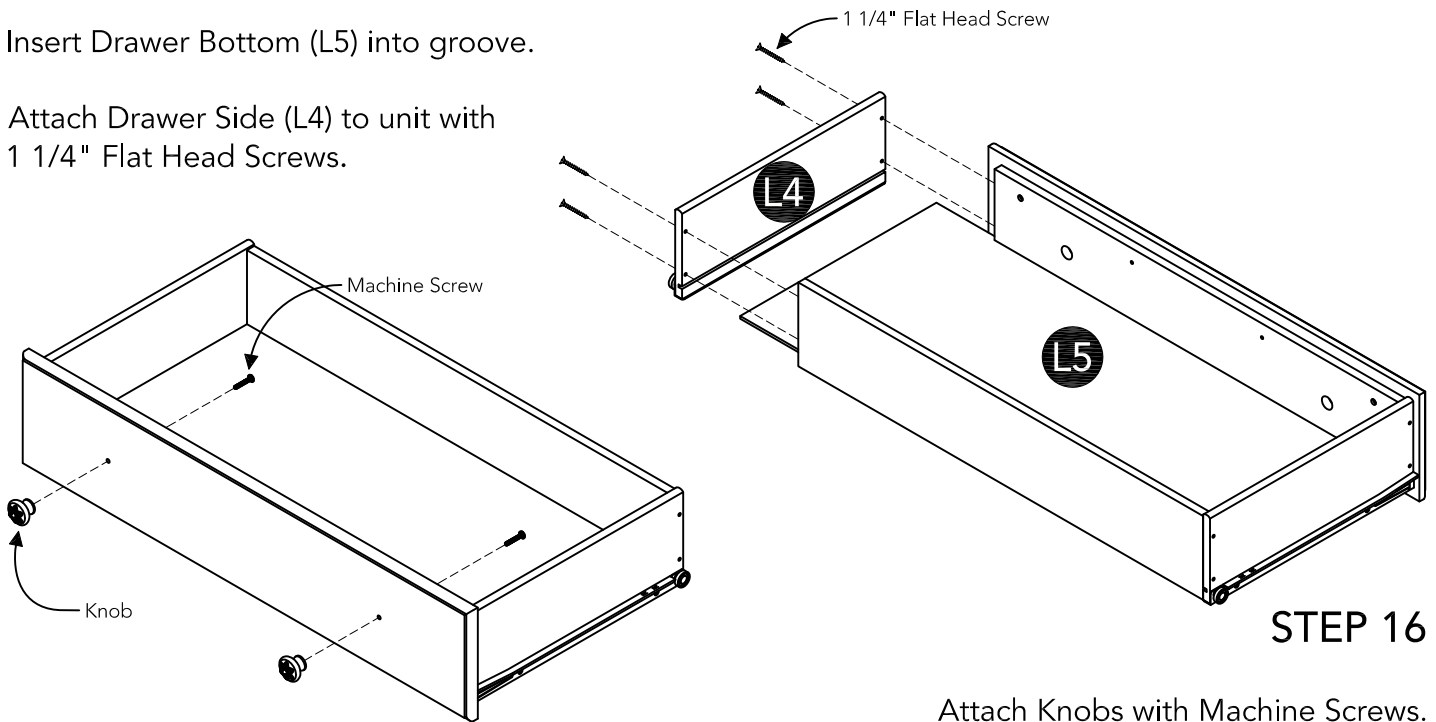
Attach Support (K6) to Drawer Front (L1) and Drawer Back (L2).

Attach Drawer Side (L3) to Drawer Front (L1) and Drawer Back (L2) with 1 1/4" Flat Head Screws.

STEP 15

Insert Drawer Bottom (L5) into groove.

Attach Drawer Side (L4) to unit with 1 1/4" Flat Head Screws.

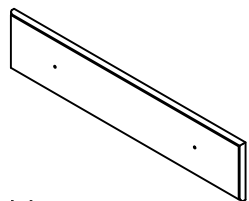


STEP 16

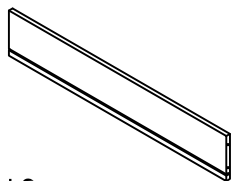
Attach Knobs with Machine Screws.

Note: Drawer assembly is not complete until 3/4" Flat Head Screws are used in a later step.

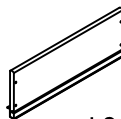
Part List



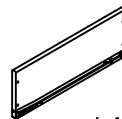
L1.
Drawer Front
3 pcs.



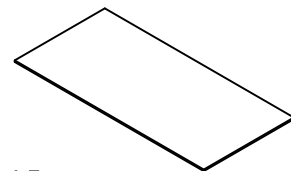
L2.
Drawer Back
3 pcs.



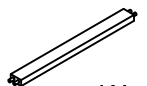
L3.
Drawer Side
3 pcs.



L4.
Drawer Side
3 pcs.



L5.
Drawer Bottom
3 pcs.

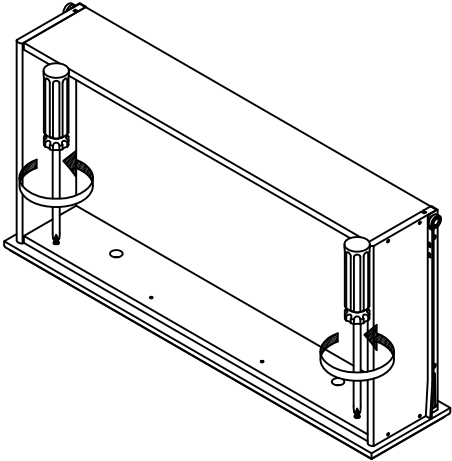
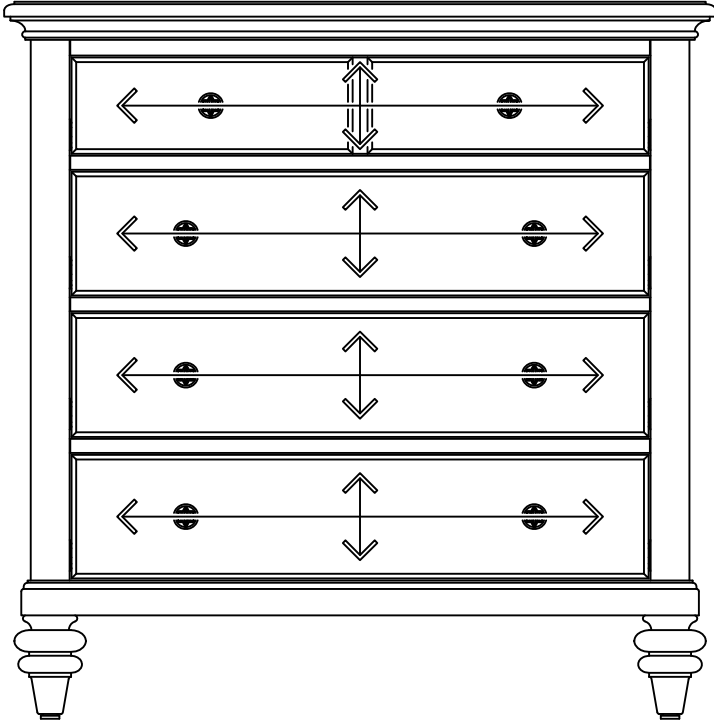


K6.
Support
3 pcs.

Assembly Instructions 9/10

STEP 17

Loosen slightly screws pre-installed on back of drawer fronts.



STEP 18

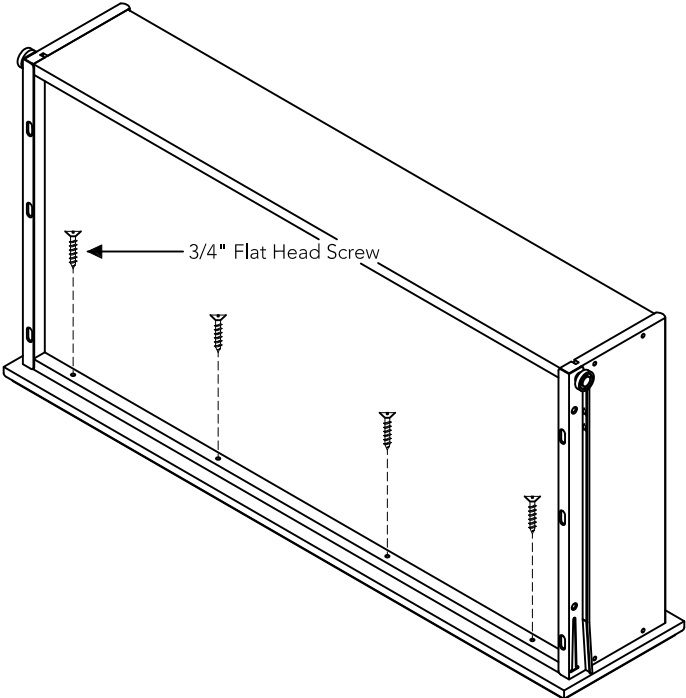
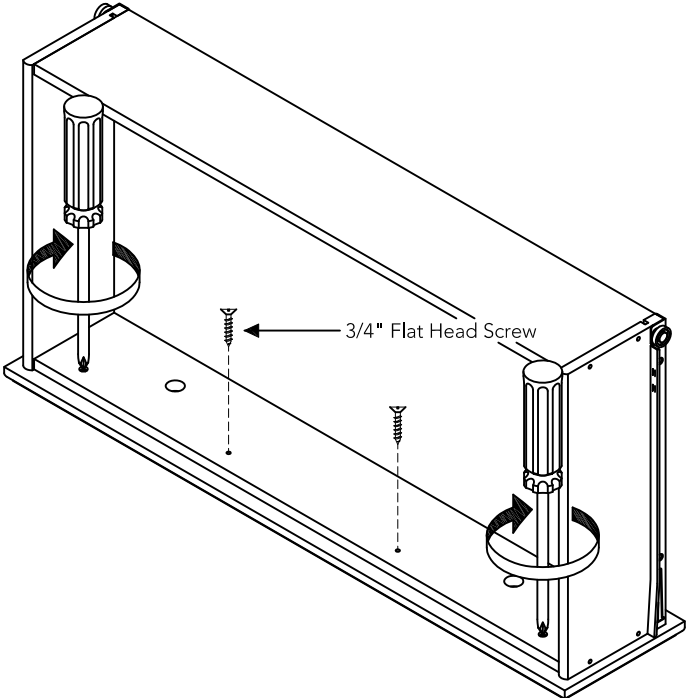
Insert drawers into unit, then adjust drawer front panels left or right and up or down until drawer gaps look proportional.

STEP 19

Pull drawers open slowly and re-tighten screws from Step 17.

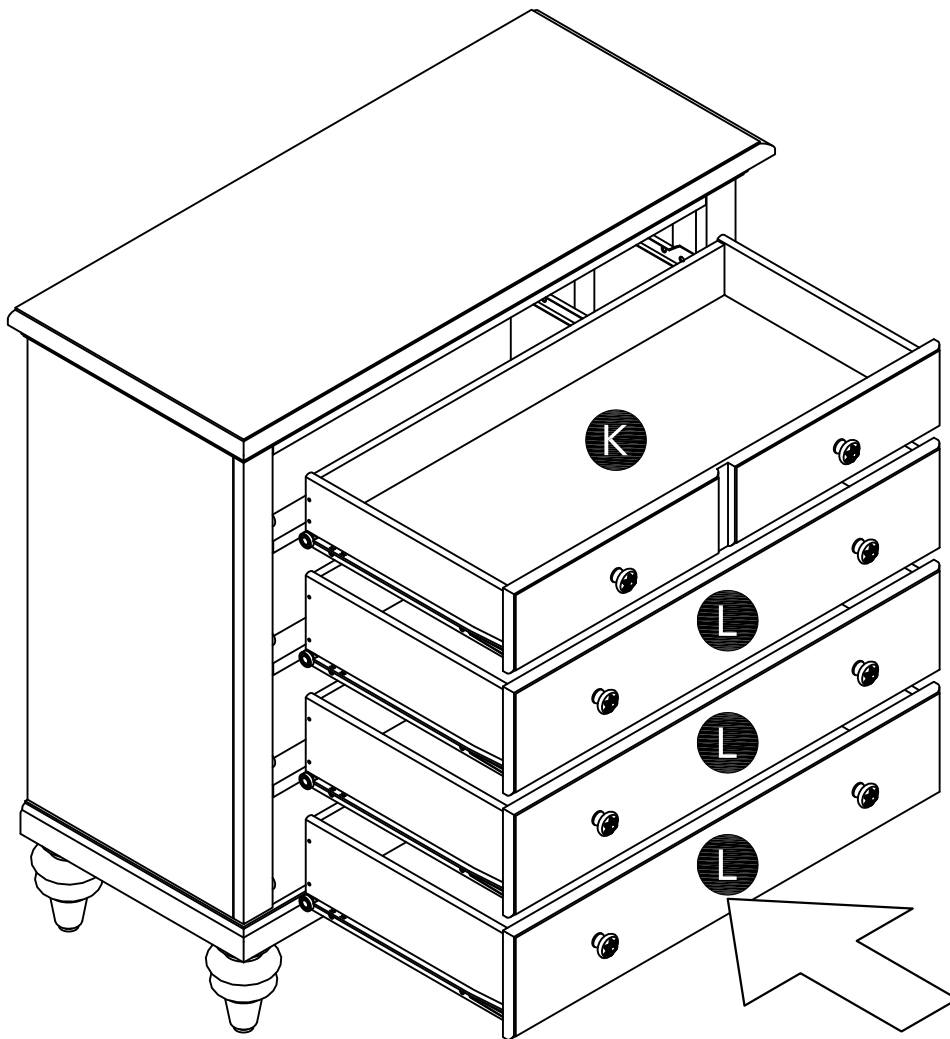
Make sure drawer front panels do not move and lock drawer front panels into position with 3/4" Flat Head Screws.

Note: These 3/4" Flat Head Screws must be installed to complete the drawer assembly.



STEP 20

Slide Drawers (K) and (L) into position.



CARE INSTRUCTIONS

NEVER

allow liquids to remain on furniture.
Absorption causes parts to warp
and split and finishes to delaminate.

NEVER

use glass cleaners on
finished furniture. Ammonia
chemically attacks the finish.



Do not use power tools
above 8 volts to assemble.

**PREVENT
CRACKING**



Do not place
in direct sunlight.

**PREVENT
FADING**



Do not write
directly on surface.

**PREVENT
MARKING**



Do not place hot
objects on surface.

**PREVENT
FINISH DAMAGE**



Do not use rubber
based placemats.

**PREVENT
DISCOLORING**



Do not use commercial
waxes and polishes.

**PREVENT
YELLOWING**

CLEAN

with a soft cloth moistened
in lukewarm soap and water.
Buff with a dry clean cloth.



Home Styles will provide replacements free of charge for missing or damaged hardware or parts within 30 days of purchase. Digital images of the defective parts may be required. If the product was not purchased from an authorized retail affiliate, Home Styles is under no obligation to provide replacement parts. Parts are not available for fully assembled items nor are parts available for sale. Replacements for missing or damaged hardware or parts may be requested at:

www.homestylesfurniture.com/customer-service/replacement-parts

Home Styles Customer Service: www.homestylesfurniture.com,
servicedesk@homestylesfurniture.com, 888-680-7460, 877-831-0319