

Installation Guide

Bathroom Sink Faucet

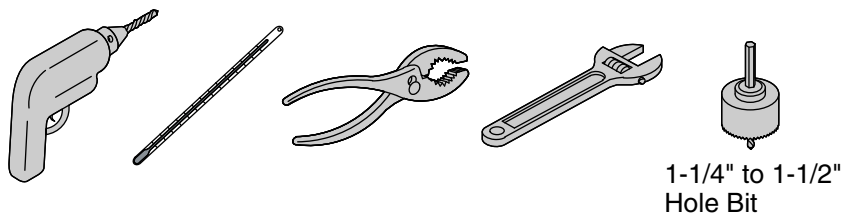
K-7514, K-7515, K-7516,
K-7517, K-7518, K-7519,
K-13460, K-13461, K-13462,
K-13463, K-13466, K-13467,
K-13468, K-13469, K-13472,
K-13473, K-13475, K-13475,
K-45344, K-45345

M product numbers are for Mexico (i.e. K-12345**M**)
Los números de productos seguidos de
M corresponden a México (Ej.
K-12345**M**)
Français, page "Français-1"
Español, página "Español-1"

THE BOLD LOOK
OF **KOHLER**®

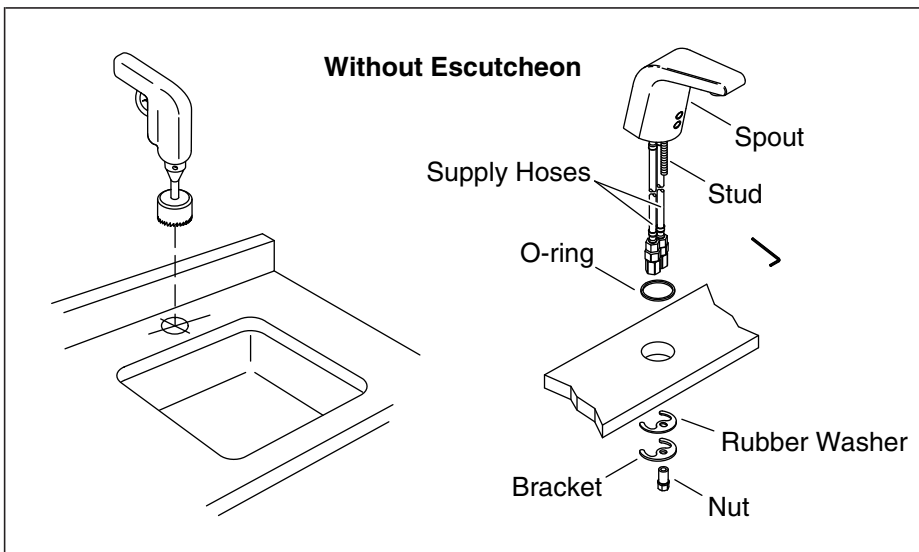
1244026-2-A

Tools and Materials



Before You Begin

- Observe all local plumbing and building codes.
- Shut off the water supply.
- This faucet is for use on a single-hole bathroom sink.
- For new installations, install the faucet and drain to the sink before installing the sink.
- The faucet shown in this guide may differ from your actual product. The installation steps still apply.
- In order for this faucet to function properly, install the faucet so the sensor points directly toward the user.
- The faucet is rated at 3 V DC 1 W.



1. Faucet Installation

Prepare the Site - AC and Hybrid Models

NOTE: Before drilling the mounting hole, use the following provisions for proper placement:

- A 1-1/4" (32 mm) minimum to 1-1/2" (38 mm) maximum diameter mounting hole is required.
- A minimum distance of 1-3/4" (44 mm) is required between the back of the spout and the wall to allow access to the screw.
- A 1-1/8" (29 mm) maximum distance is required between the sink bowl edge and the base of the spout.

AAA Battery Operated Models Only

NOTE: When K-13460, K-13461, K-13466 or K-13467 are installed to drop-in sinks (sinks with the rim above the deck), the maximum height of the edge of the basin lip is 3/4" (19 mm) and the maximum distance from the edge of the sink to the front edge of the faucet is 1/2" (13 mm).

NOTE: When K-13472 or K-13473 are installed to drop-in sinks, the maximum height of the edge of the basin lip is 1-1/4" (32 mm).

NOTE: Before drilling the mounting hole, use the following provisions for proper placement:

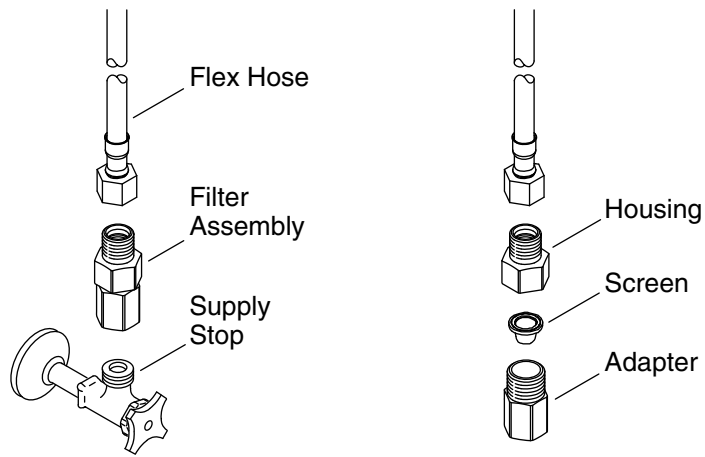
- A 1-1/4" (32 mm) minimum to 1-1/2" (38 mm) maximum diameter mounting hole is required.

Faucet Installation (cont.)

- A minimum distance of 1-3/4" (44 mm) is required between the back of the spout and the wall to allow access to the screw.

Install the Faucet

- Determine the mounting hole location.
- Drill a hole through the mounting surface according to the surface manufacturer's instructions.
- Install the stud to the underside of the faucet.
- Slide the O-ring over the flexible hoses and stud, then seat the O-ring in the groove on the underside of the spout.
- Insert the spout with flexible hoses and stud through the mounting hole.
- From under the sink, slide the rubber washer and bracket onto the stud.
- Thread the nut onto the stud to secure the faucet to the mounting surface.



2. Supply Connections

Connect the Filter Assembly

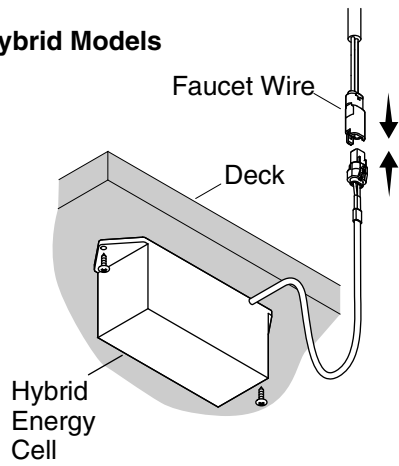
- Turn on the water and flush water through the supply stops into a bucket.
- Turn off the water.
- Remove the filter assemblies from the supply hoses. Then thread a filter assembly onto each supply stop.

Connect the Supplies

- For models with **two hoses**, thread the left supply hose to the filter assembly on the hot supply stop and the right supply hose to the filter assembly on the cold supply stop.
- For models with **one hose**, thread the supply hose to the filter assembly on the supply stop.
- Tighten the connections with a small adjustable wrench.
- Turn on the water and flush the faucet by activating it.

NOTE: For optimum performance, clean your filter screens periodically. Refer to the Maintenance Guide.

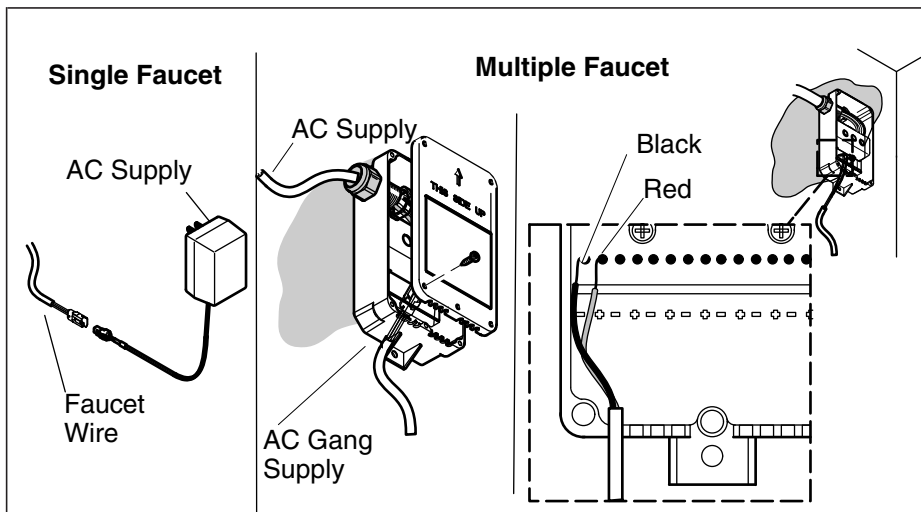
Hybrid Models



3. Install the Power Supply - Hybrid Models

NOTE: Avoid the area in front of the sensor for 2 minutes after connections are complete. The sensor will not function correctly if it is triggered in the first 2 minutes. Disconnect and reconnect the power to reset the sensor.

- Mount the Hybrid Energy Cell (HEC) under the counter using two screws (not supplied).
- Connect the HEC to the faucet wire.
- Avoid the area in front of the sensor for 2 minutes.



4. Install the AC Power Supply

Single Faucet Installations

- Connect the faucet wire to the AC supply.
- Plug the AC supply into the wall outlet.
- Secure any excess wire under the counter.

IMPORTANT! The area in front of the sensor must be free of objects during the 2 minute learning cycle or the faucet may not function properly.

- Allow 2 minutes for the sensor to cycle through the automatic sensing distance.

Multiple Faucet Installations

- Mount the AC supply under the counter using two (not supplied) screws. Orient as shown.
- Remove the cover.
- Connect the faucet wire to the faucet.
- If needed, cut and strip the AC supply wires to length.
- Connect the stripped ends to the bottom terminal block (TB2) in the supply box.

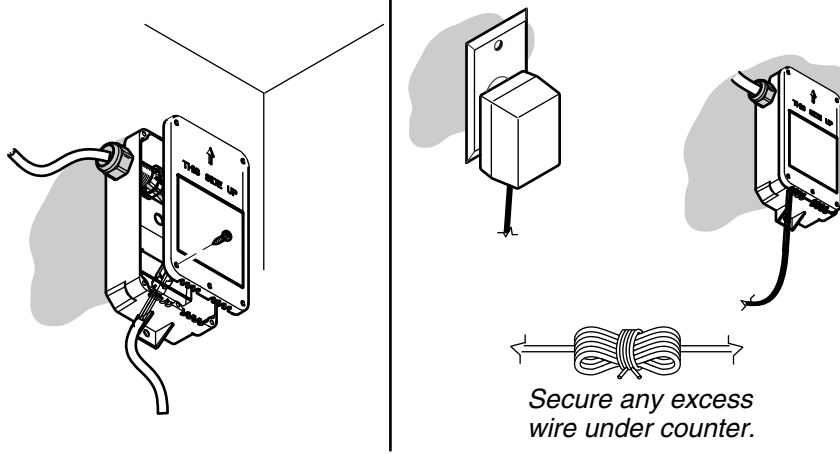
Install the AC Power Supply (cont.)

NOTE: If a hard wired installation is required, go to the next installation section.

- Plug the AC supply into the wall outlet.
- Secure any excess wire under the counter.

IMPORTANT! The area in front of the sensor must be free of objects during the 2 minute learning cycle or the faucet may not function properly.

- Allow 2 minutes for the sensor to cycle through the automatic sensing distance.



5. Hard Wire Installation - AC Only



WARNING: Risk of electrical shock. Make sure the power has been disconnected before performing the following procedures.

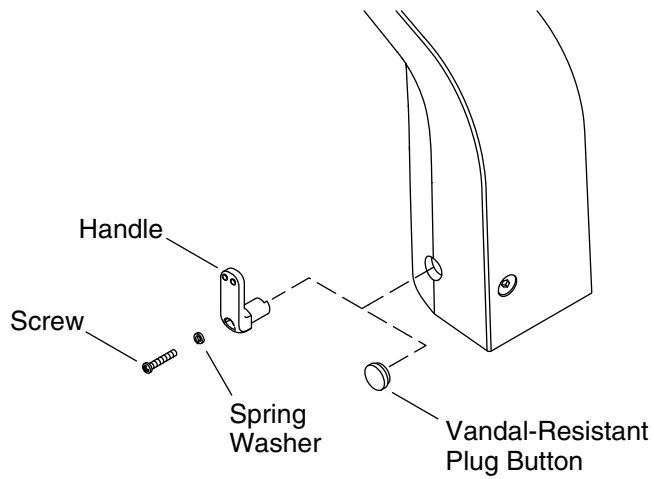
- ❑ Loosen the terminal block screws and remove the wires from the top terminal block.
- ❑ Loosen the outside nut of the strain relief and remove the power cord.
- ❑ Put the supply wires through the strain relief and connect to the top terminal block.

NOTE: If a hard wired installation is required, the strain relief may need to be replaced depending on wire used.

- ❑ Tighten the nut on the strain relief.
- ❑ Replace the cover, and install and tighten the five screws.
- ❑ Turn on the AC supply power.
- ❑ Secure any extra wire under the counter.

IMPORTANT! The area in front of the sensor must be free of objects during the 2 minute learning cycle or the faucet may not function properly.

- ❑ Allow 2 minutes for the sensor to cycle through the automatic sensing distance.



6. Optional Temperature Limiting Adjustment



CAUTION: Risk of personal injury. Scalding may result if the temperature limit is set above 120°F (49°C).

NOTE: The water temperature does not need to be adjusted if the water temperature is below 105°F (41°C).

NOTE: Use a thermometer rated for 120°F (49°C) or greater.

NOTE: When using a tempered water supply, install the vandal-resistant plug button.

Adjust the Water Temperature Limit – Handle Installations

- Turn on the water and adjust to full hot by turning the handle toward the back of the faucet until it stops.
- Determine the temperature using a thermometer. If the temperature exceeds 105°F (41°C), complete the following steps.

NOTICE: Do not rotate the handle when removing the screw.

- Using the 2.5 mm hex wrench provided, remove and retain the handle screw.
- Remove and retain the handle with the spring washer.

Optional Temperature Limiting Adjustment (cont.)

- Insert the handle at the desired maximum temperature. **If the handle is inserted horizontally:** This is the maximum hot temperature, where the water will be the same temperature as the water from the hot water supply. **If the handle is inserted vertically (shown):** This is the maximum cold temperature, where the water will be the same temperature as the water from the cold water supply.

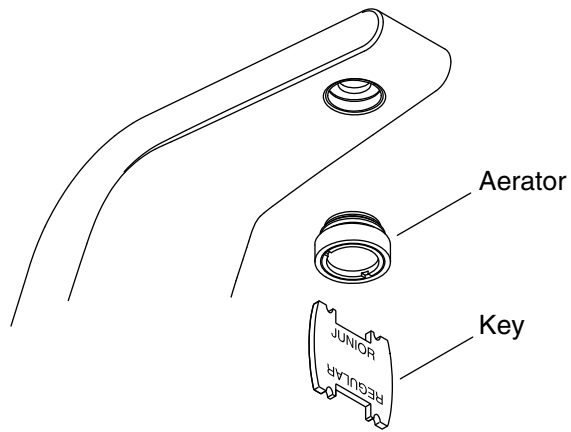
NOTICE: Do not rotate the handle when reinstalling the screw.

- Reinstall the spring washer into the handle, then attach the handle to the faucet.
- Secure the handle to the faucet with the screw.

Adjust the Water Temperature Limit – Vandal-Resistant Installations

NOTE: If you install the vandal-resistant plug button, save the handle to adjust the water temperature at a later date.

- Using the handle, adjust the water to the desired temperature.
- Using the 2.5 mm hex wrench provided, remove and retain the screw, spring washer, and handle.
- Position the vandal-resistant plug button and firmly press into place.



7. Installation Checkout

- Using the key provided, remove the aerator from the spout.
- If applicable, uncover the drain.
- Turn on the water supply and check for leaks. Adjust as needed.
- Allow the water to run through the spout for about 1 minute to remove any debris. Check for leaks and adjust as needed.
- Temporarily cover the sensors on the faucet or close the water supplies.
- Using the key provided, reinstall the aerator to the spout.
- Uncover the sensors on the faucet or turn on the water supplies.