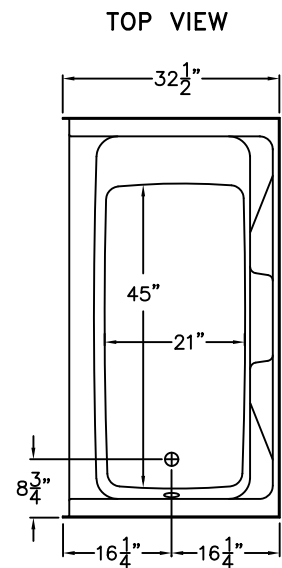
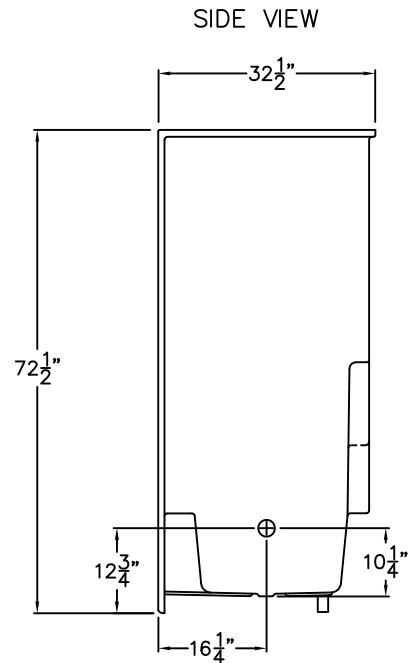
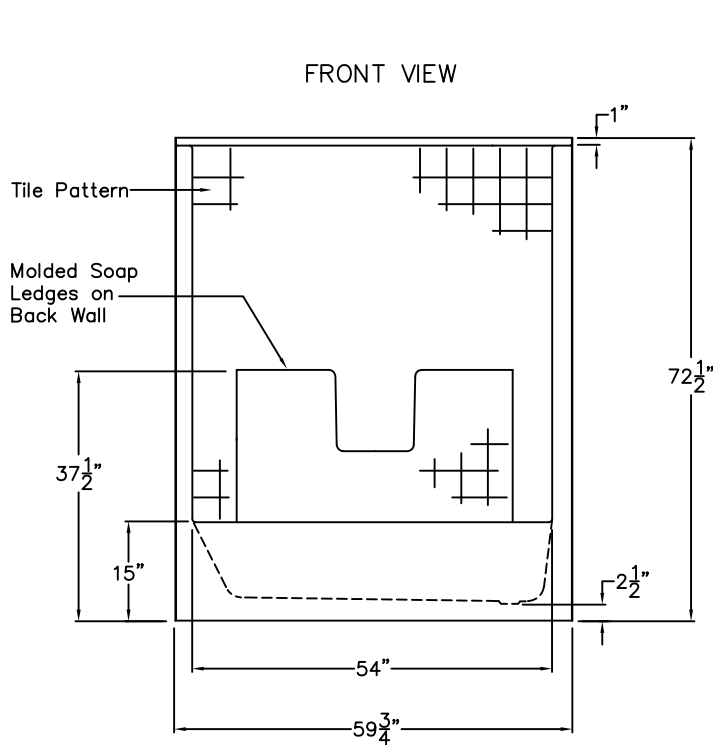


Luxury Gelcoat Series

SUBMITTAL DATA



Gelcoat 60" Tub/Shower

This tub/shower enclosure shall be Praxis Model TS 116 tub shower right drain.

It shall meet CSA B45.5-11, Home Innovation Research Lab, IAPMOZ124-2011, shall have the backside fire rating of "A" and a flame spread of less than 25. Unit has molded soap ledges on the back wall, and simulated tile finish on walls.

Optional acrylic towel bar is available.

DUE TO THE NATURE OF THE MATERIALS INVOLVED, UNIT DIMENSIONS MAY VARY ± 1/2 INCH.

Job Name:	PRAXIS	
Approved By Print Name:	Drawing#: TS 116RH Tub Shower	
Approved By Signature:	Date Approved:	Date: 2-24-14 Revised: 6-2-14
Rep.:	Wholesaler:	Quote No.:

PRAXIS INDUSTRIES, LLC.
 435 INDUSTRIAL RD - SAVANNAH, TN 38372
 1 (800) 443-7269 - FAX (731) 925-4290