

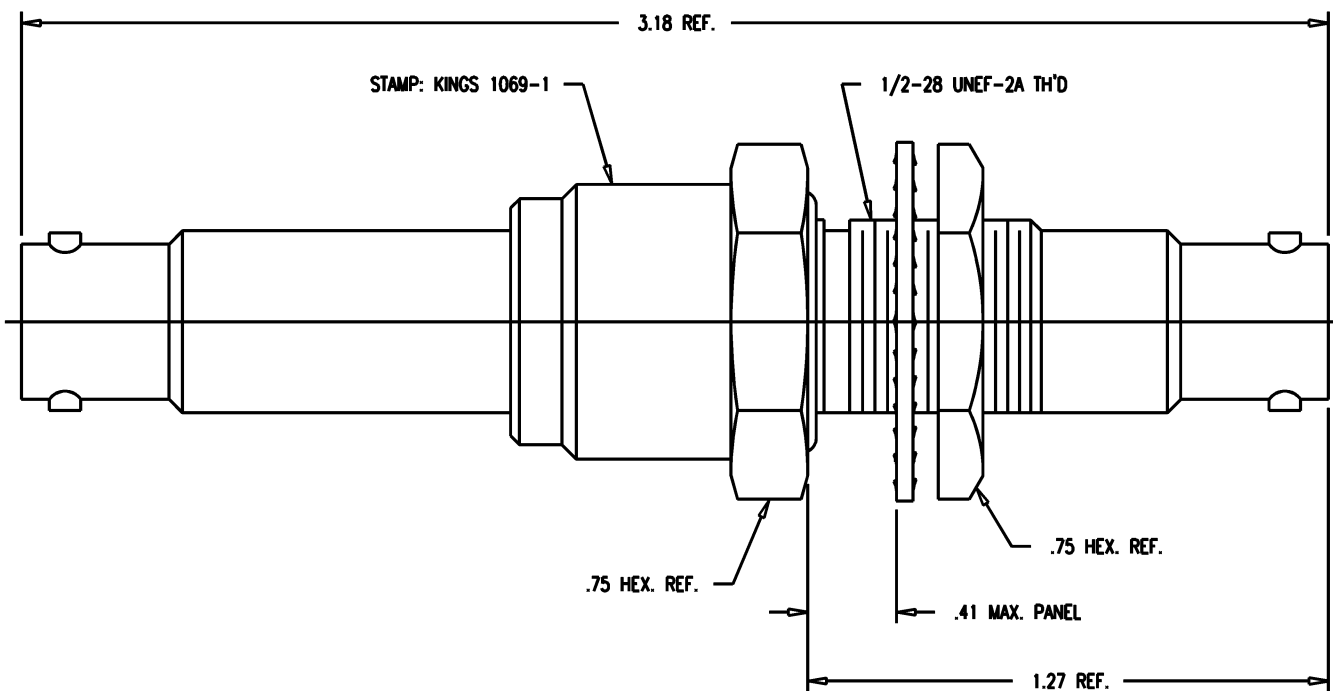
DASH NO.	M CODE	MADE FROM
----------	--------	-----------

GSD

REVISIONS

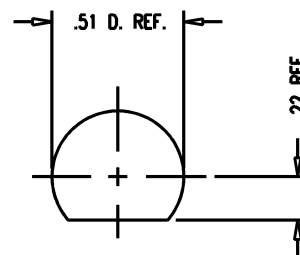
ISSUE	CHANGES
5	CN 33511 E REDRAWN WJM 11/15/91

1069-1



NOTES:

- MATERIALS:**
 INSULATORS: HIGH DENSITY POLYETHYLENE, PER MIL-P-22748
 MOUNTING O-RING: SYNTHETIC RUBBER, MIL-P-25732
 INTERNAL O-RINGS & GASKETS: SILICONE RUBBER, ZZ-R-765
 LOCKWASHER: PHOSPHOR BRONZE, QQ-B-750
 ALL OTHER METAL PARTS: BRASS, ASTM-B16
- FINISHES:**
 CENTER CONTACT: HARD GOLD PLATE, PER MIL-G-45204
 ALL OTHER METAL PARTS: KINGS TARNISH RESISTANT FINISH (TR-5)
- ELECTRICAL CHARACTERISTICS:**
 NOMINAL IMPEDANCE: NON-CONSTANT
 WORKING VOLTAGE: 10KVDC
- ENVIRONMENTAL CHARACTERISTICS:**
 LEAKAGE MAY NOT EXCEED 10^{-8} ATMS cc/SEC. OF TRACER GAS AT ATMOSPHERIC PRESSURE.



MOUNTING HOLE

GSD

WJM1543

SCALE	3:1
APPROX SURFACE AREA	
USED ON	
REF:	
ADAPTER, F-F, BULKHEAD, 10 KV	
DRAWN WJM	DATE 11/15/91
DESIGN LJ	DATE 12/02/91
APPR.	DATE

KINGS
ELECTRONICS CO., INC.
TUCKAHOE, NEW YORK 10707

1069-1