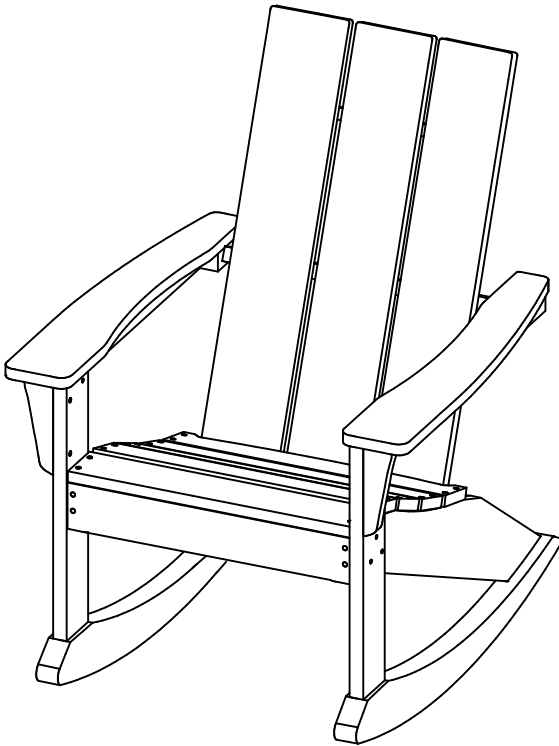


INSTRUCTION MANUAL



**Shoreside Modern Rocking
Poly Adirondack Chair
SKU:OP5002**

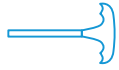
V1.0

! NOTICE

Do not overtighten screws. (Insert all screws before tighten screws.)

- Please do not exceed the weight limitations of this item.
- Do not stand on or use any part of this item as a step ladder.
- Firmly secure all bolts, screws and nuts before use.
- Reconfirm that all bolts, screws, and nuts are secure every 90 days.
- Do not use or store this item in the proximity of open flame or flammable/combustible chemicals.
- Be aware that some parts are heavy and have sharp edges.

TOOLS REQUIRED



ALLEN WRENCH
(PROVIDED)



WRENCH
(PROVIDED)



WRENCH
(PROVIDED)



CHAIR
330 LBS
CAPACITY



1 PERSON
ASSEMBLY

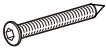


UP TO 30 MIN.
ASSEMBLY

HARDWARE

1

M6.3 x80mm
BOLT



6 PCS

2

M6 x 60mm
BOLT



8 PCS

3

M6.3 x50mm
BOLT



2 PCS

4

M6.3 x 40mm
BOLT



2 PCS

5

M4.2 x 40mm
BOLT



4 PCS

6

M6 NUT



8 PCS

7

M6 WASHER



8 PCS

8

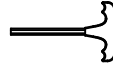
WRENCH



1 PC

9

ALLEN
WRENCH



1 PC

10

WRENCH

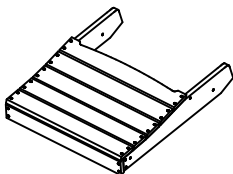


1 PC

PARTS

A

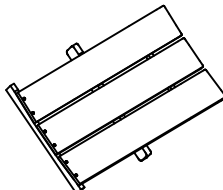
CHAIR SEAT



1 PC

B

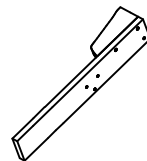
CHAIR BACKREST



1 PC

C

RIGHT CHAIR LEG

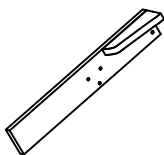


1 PC

PARTS

D

LEFT CHAIR LEG



1 PC

E

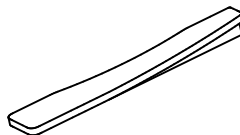
RIGHT CHAIR ARM



1 PC

F

LEFT CHAIR ARM



1 PC

G

RIGHT ROCKING FEET



1 PC

H

LEFT ROCKING FEET



1 PC

I

BACK RAIL

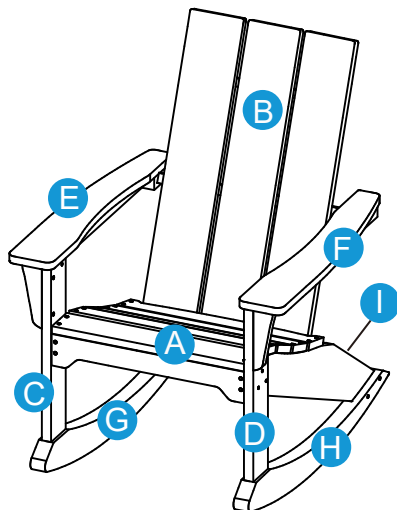


1 PC

PRODUCT ASSEMBLY - OVERALL VIEW

1

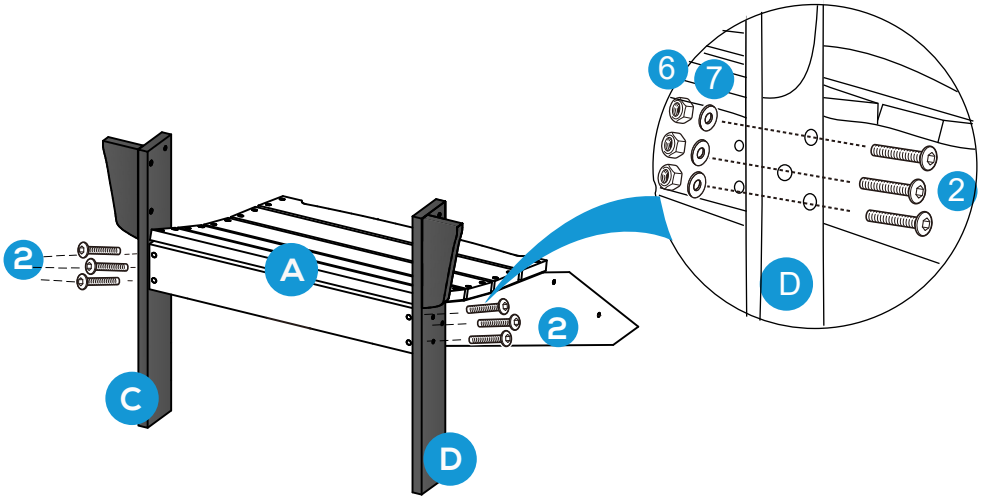
Look at following overall view of this chair and learn the exact position of each parts to be assembled.



PRODUCT ASSEMBLY

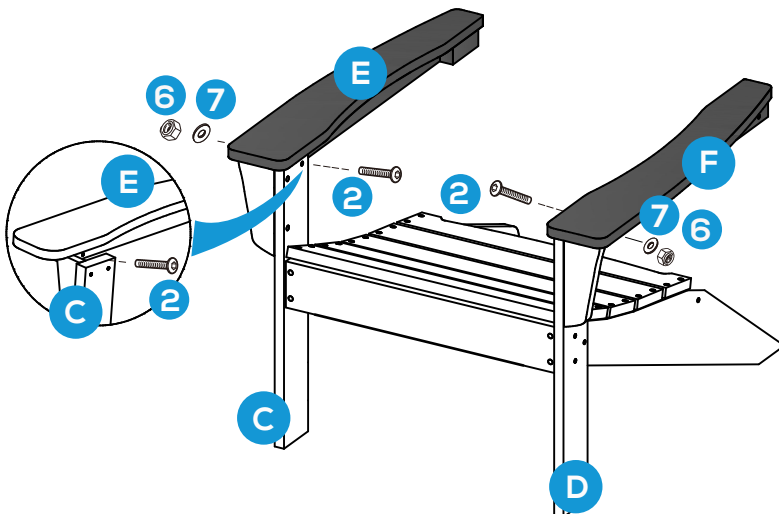
1

Attach part C Right Chair Leg to part A Chair Seat with 3 pcs of part 2 bolt , part 7 washer and part 6 nut
Do same to attach part D Left Chair Leg to part A Chair seat
Do not tighten screws too much at this stage.



2

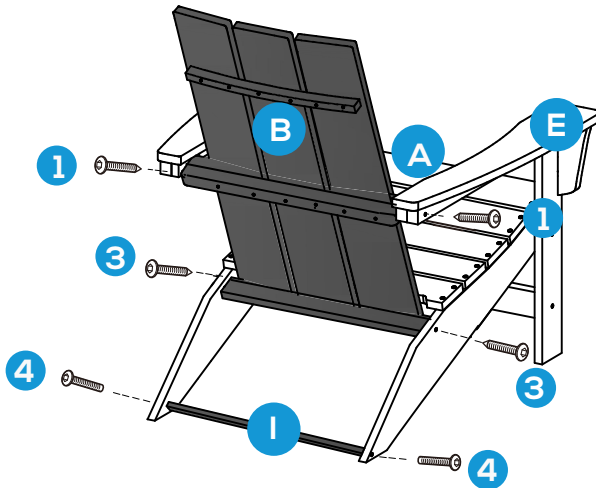
Attach part E Right Chair Arm to part C Right Chair Leg with 1 pc of part 2 bolt, part 7 washer and part 6 nut
Do the same to attach part F Left Chair Arm to part D Left Chair Leg



PRODUCT ASSEMBLY

3

Put part B Chair Backrest into part A Chair Seat and fix them with 2 pcs of part 3 bolt then attach part B Chair Backrest to part E Right Chair Arm & part F Left Chair Arm with 2pcs of part 1 bolt. Attach part I Back Rail to part A Chair Seat with 2 pcs of part 4 bolt.



4

Attach part G Right Rocking feet to part C Right Chair Leg with 2 pcs of part 1 bolt and attach part G Right Rocking feet to part A Chair Seat with 2 pcs of part 5 bolt (Part 10 wrench only used for fix part 5 bolt) Do the same to attach part H Left Rocking feet to part D Left Chair Leg and part A Chair Seat

Check and tighten all the bolts and screws again and finish the assembly.

