

UNIVERSAL HEADREST
WITH PRE-INSTALLED 7" (178mm)
WIDESCREEN TFT MONITOR

USER MANUAL

UNIVERSAL HEADREST
WITH PRE-INSTALLED 7" (178mm)
WIDESCREEN TFT MONITOR

AVA ENTERPRISES, INC.
3451 Lunar Court • Oxnard, CA 93030
Techs support: 800.999.1236

02.2011



MONITOR CONTENTS

MONITOR Features	1
Warnings	2
Product Structure	2
Structure	3
Accessories	3
Remote control	4
OSD function	4
Installation	5
Leather replacement	6

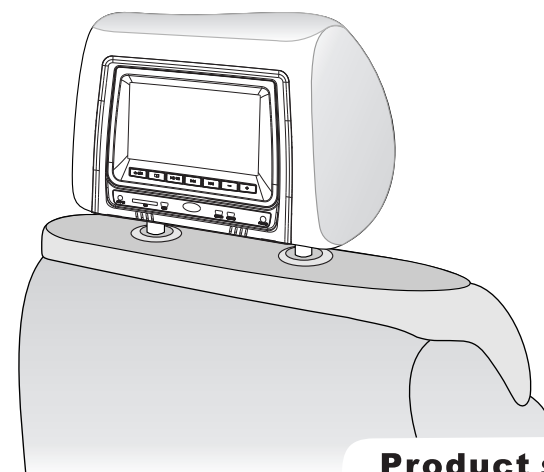
MONITOR Features :

- LED backlit panels for exceptional picture quality, high efficiency and long life
- Cover colors easily interchangeable between black, grey and tan to match vehicle interior (all 3 colors included)
- Pole distance adjustable from 4"-7" apart for universal fit
- Free tilt mechanism allows for adjustment to optimal viewing angle
- Automatically selects PAL/NTSC system
- Built-in front 3.5mm AV input jack
- Front 3.5mm jack for headphones
- 2 A/V inputs
 - One 3.5mm front input jack
 - One wired RCA input
- Wireless remote control
- Built-in dual-channel speaker
- Built-in dual channel IR transmitter
 - Ch A: 2.3MHz(left)-2.8MHz(right)
 - Ch B: 3.2MHz(left)-3.8MHz(right)
- 7"(16:9) TFT LCD display
- Resolution: 480(H) X 3(RGB) X 800(W)
- Number of Pixels: 1,152,000
- Brightness: 400 cd/m²
- Power supply: DC +12V (10.6V-15.8V)
- Power consumption: 12W
- Operating temperature: -10°C to +60°C
- Dimensions: 11" x 6" x 14 ¾"
- Weight: 2.9 lbs.



Warning

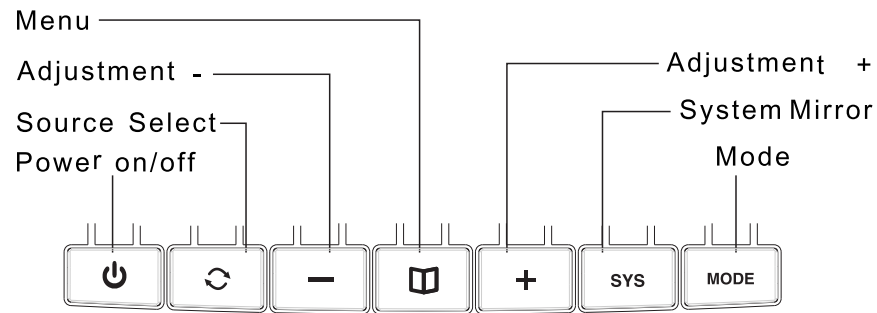
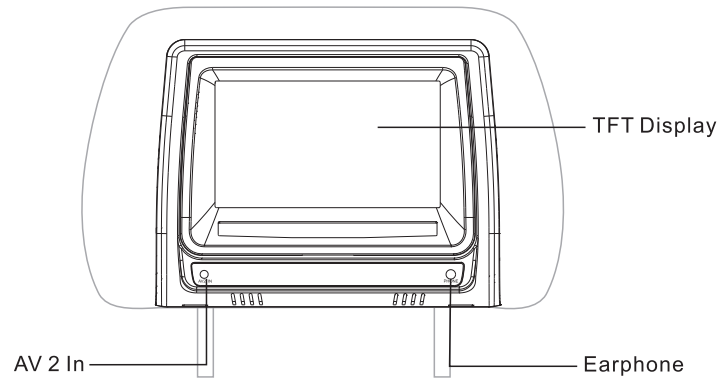
- ▶ Read this manual before using this product.
- ▶ This product is composed of precision components and shall not be disassembled unless approved or authorized by us, otherwise we shall not provide any maintenance
- ▶ Protect the product from moisture and shock



Product structure

“Thank you for your purchase of our mobile video product. To ensure long-term trouble free operation of the product, please read the following operations manual before using the monitor. To further ensure the long-term service of your product, please have one of our authorized dealers to install this product into your vehicle for you.”

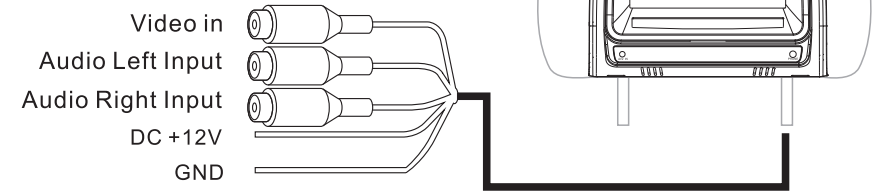
Structure



ACCESSORIES

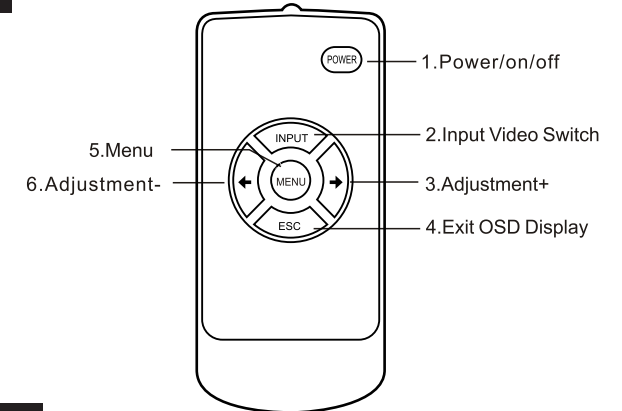
Description	Quantity
1. Power Cable	1PC
2. Pole Diameter Spacers	2PCS
3. Remote Control	1PC
4. Users Manual	1PC

Connection Method



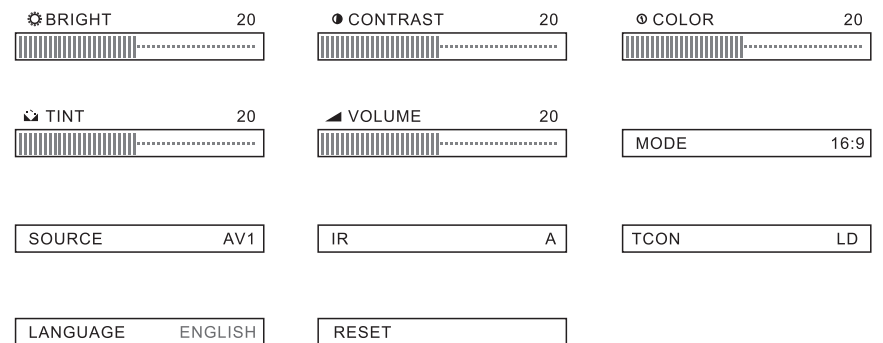
Remote control

1. Power On/Off
2. AV1, AV2 Switch
3. Adjustment+
4. Exit
5. Menu
6. Adjustment-



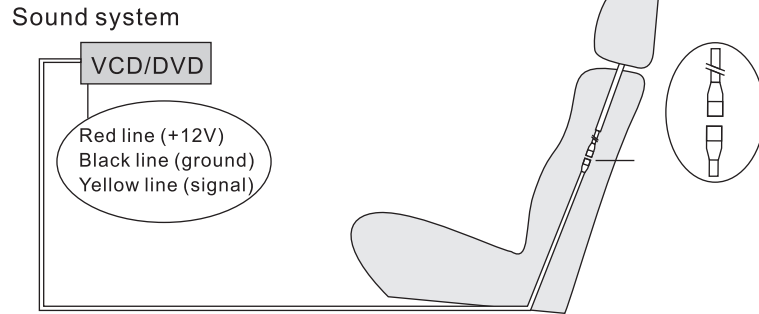
OSD function

The following menus will appear when pressing “MENU” button, press “←” “→” to select the one you want.



Install the pillow

Headrest fig 2



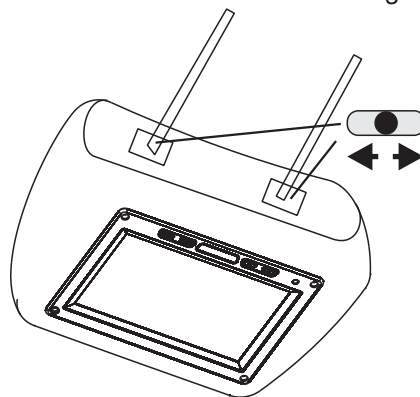
The circuit connection of the headrest monitor is very simple. As shown in Fig. Connect the +12V power of the sound system (red line to +, black line to ground), and then connect the A/V input. Hide the connection in the base of seat.

Installation

1. Remove the original headrest in the car.
2. Install the headrest monitor. Adjust the steel tube in or out (max. interval: 8 inch; min interval: 4 inch) according to the interval between pillow holes so that the interval between steel tubes of the pillow monitor coincides with that between steel tubes of the original pillow headrest.

Headrest fig 3

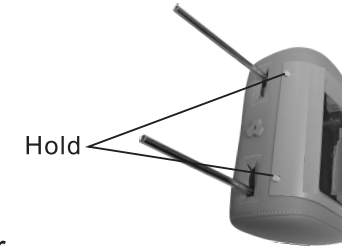
You can adjust the posts by pulling or pushing inward or outward see Fig 3



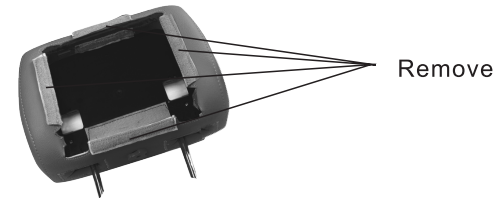
5

Leather replacement

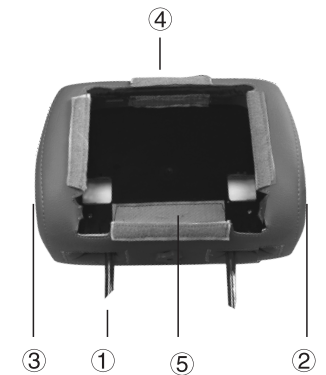
1. Hold down the 2 buttons simultaneously, and removed the screen. Disconnect the cable.



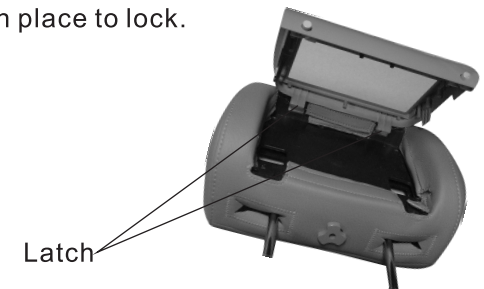
2. Remove the leather.



3. Replace the leather with the matching color cover.



4. Connected the cable, lock the monitor's buttons into position and push it in place to lock.



6