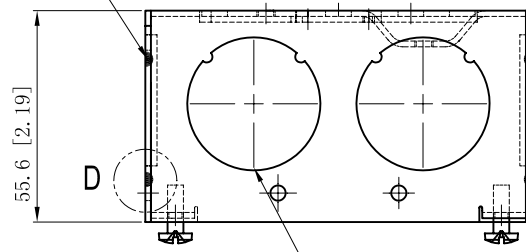
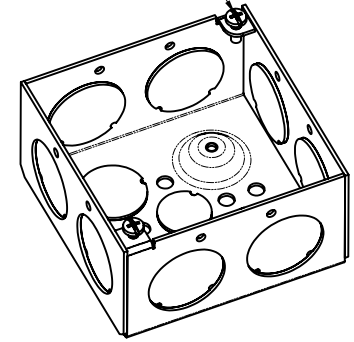


SIDES	BOTTOM
8 1" KNOVEOUTS	2 1/2" KNOVEOUTS
	2 3/4" KNOVEOUTS
	1 Ground Hump
2 PCS 8-32×1/2 Screws Installed	
Material:Steel-0.0625"-G60 Galvanized	

12 PLACES SPOT WELDING



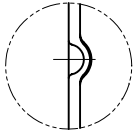
#8-32, ×2



4 1" KNOCKOUTC  $\phi = 34.50$  [ $\phi = 1.358$ ]

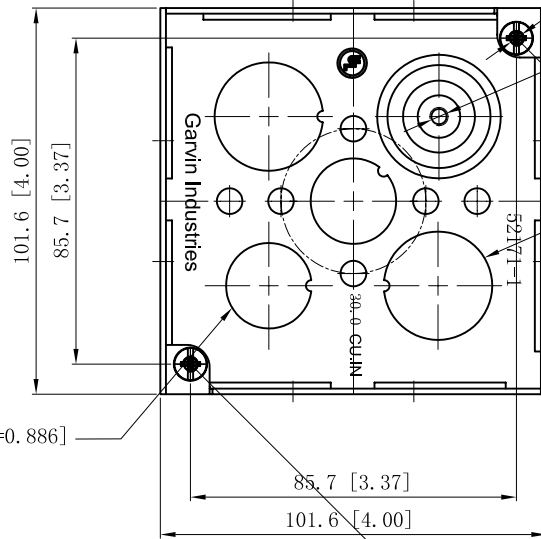
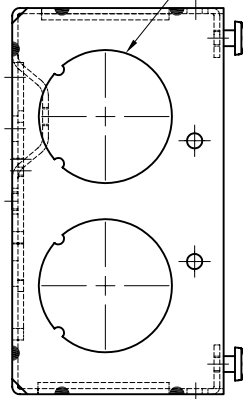
2-#8-32 UNC

#10-32 UNF



WELDING STYLE DETAIL VIEW D

4 1" KNOCKOUTC  $\phi = 34.5$  [ $\phi = 1.358$ ]



2 3/4" KNOCKOUTS  $\phi = 28.50$  [ $\phi = 1.122$ ]

2 1/2" KNOCKOUTS  $\phi = 22.50$  [ $\phi = 0.886$ ]

This data sheet is for reference only. GARVIN INDUSTRIES reserves the right to make changes to the design without prior notice.

DESCRIPTION
TRADE REFERENCE TERMS

STANDARD PACKING	<h1 style="text-align: center;">GARVIN INDUSTRIES</h1>		
25 PCS			
	TITLE	4" SQUARE BOXES 2-1/8" DEEP	
	SIZE	DWG NO.	REV
	A4	52171-1/2	B
		DATA SHEET	