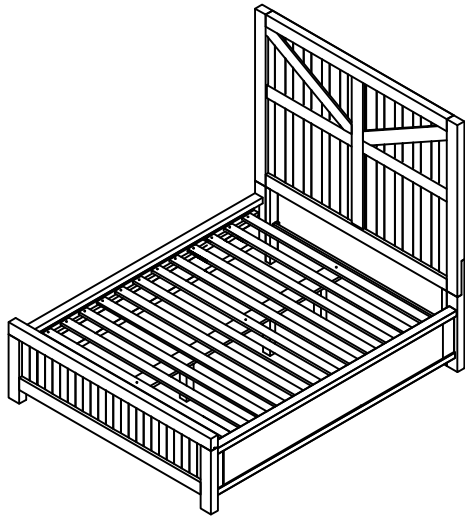


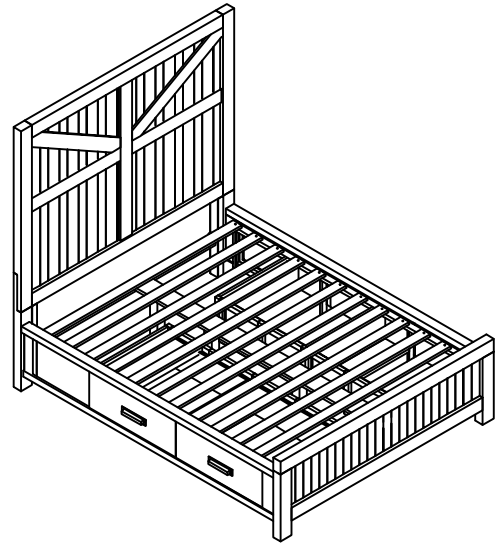
**TARYN FULL/ QUEEN/ E. KING BED
ASSEMBLY INSTRUCTIONS**



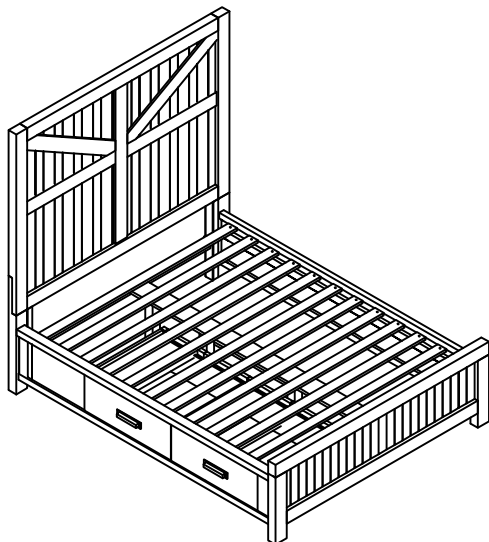
**THE TARYN BED IS AVAILABLE IN FOUR DIFFERENT
CONFIGURATIONS**



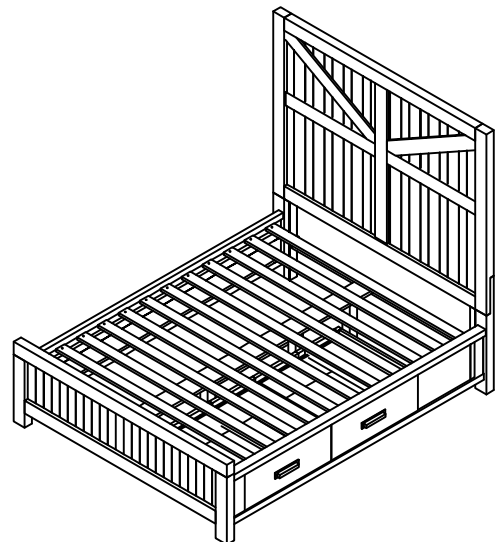
NON STORAGE PLATFORM BED



FULL STORAGE PLATFORM BED



LEFT SIDE STORAGE PLATFORM BED



RIGHT SIDE STORAGE PLATFORM BED

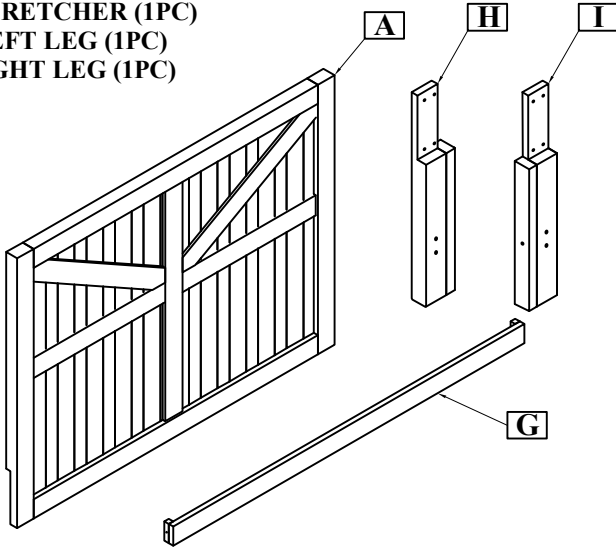
TARYN FULL/ QUEEN/ E. KING BED ASSEMBLY INSTRUCTIONS



PARTS PACKING CONFIGURATIONS

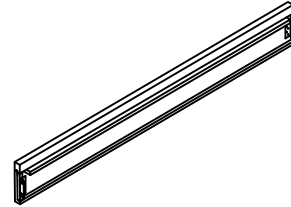
BOX 1

- A. HEADBOARD (1 PC)
- G. STRETCHER (1PC)
- H. LEFT LEG (1PC)
- I. RIGHT LEG (1PC)



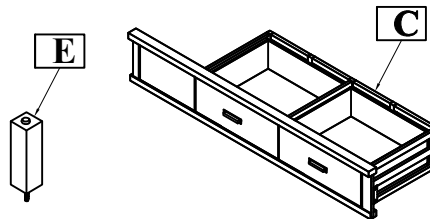
BOX 3

- C. REGULAR SIDE RAIL (1 PC)



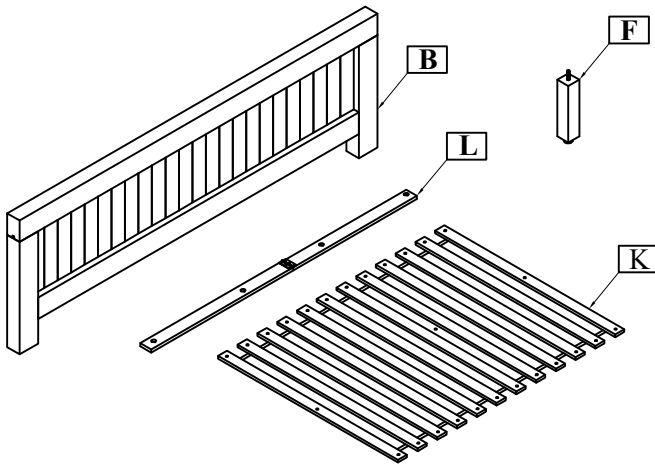
OR

- C. LEFT STORAGE SIDE RAIL (1 PC)
- E. SUPPORT LEG 2 (2PCS)



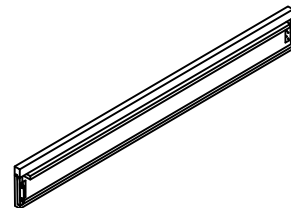
BOX 2 : ASSEMBLY INSTRUCTIONS

- B. FOOTBOARD (1 PC)
- K. SLAT ROLL (1PC)
- L. CENTER SLAT SUPPORT (1PC)
- I. SUPPORT LEG 1 (4PCS)



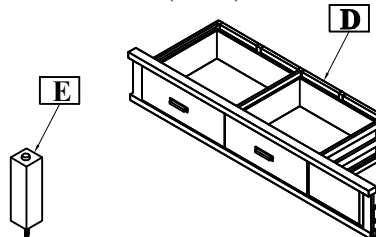
BOX 4

- D. REGULAR SIDE RAIL (1 PC)



OR

- D. RIGHT STORAGE SIDE RAIL (1 PC)
- E. SUPPORT LEG 2 (2PCS)



HARDWARE PACKED IN BOX 1:

No.	Description	Photo	Quantity
1	Allen Bolt (M8X50)		10 PCS
2	Spring washer (M8)		10 PCS
3	Flat washer (M8)		10 PCS
4	Allen Key		1 PC

HARDWARE PACKED IN BOX 2:

No.	Description	Photo	Quantity
5	Wood Screw (M4X40)		27 PCS
6	Allen Bolt (M8X30)		8 PCS
7	Spring washer (M8)		8 PCS
8	Flat washer (M8)		8 PCS
9	Allen Key		1 PC

TOOL REQUIRED

PHILLIPS-HEAD SCREWDRIVER (NOT PROVIDED)

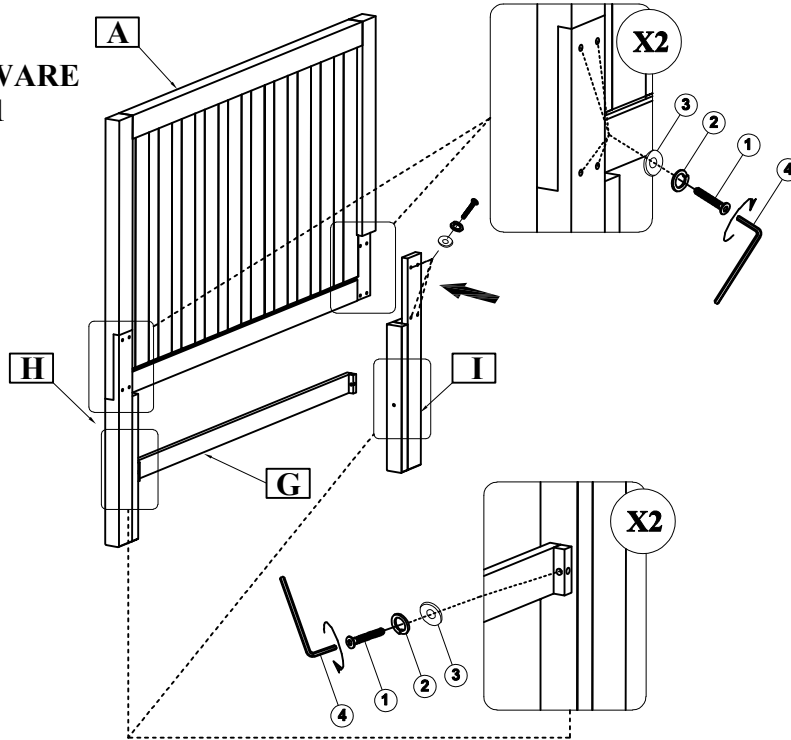


TARYN FULL/ QUEEN/ E. KING BED ASSEMBLY INSTRUCTIONS

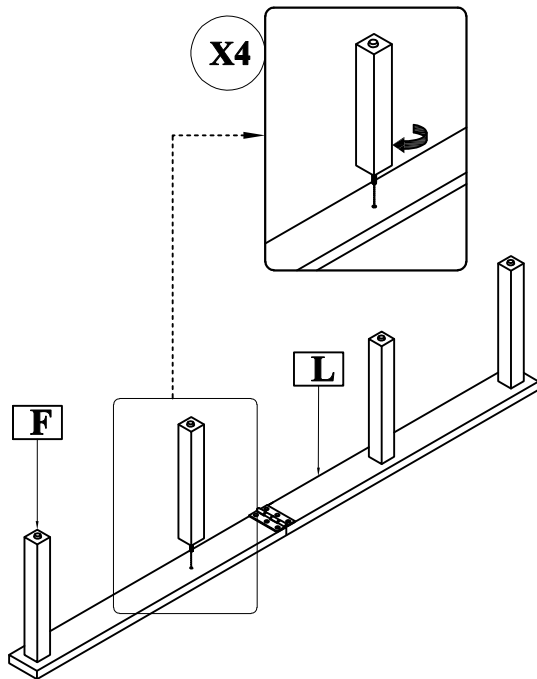


STEP 1:

**NOTE! USE HARDWARE
PACKED IN BOX #1
FOR STEP 1**

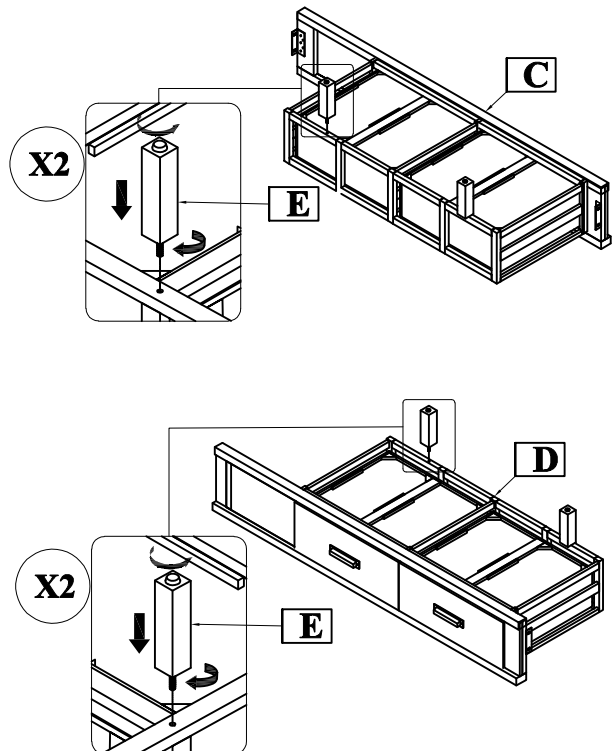


STEP 2:



STEP 3:

**NOTE ! ONLY APPLY FOR STORAGE SIDE
RAIL**



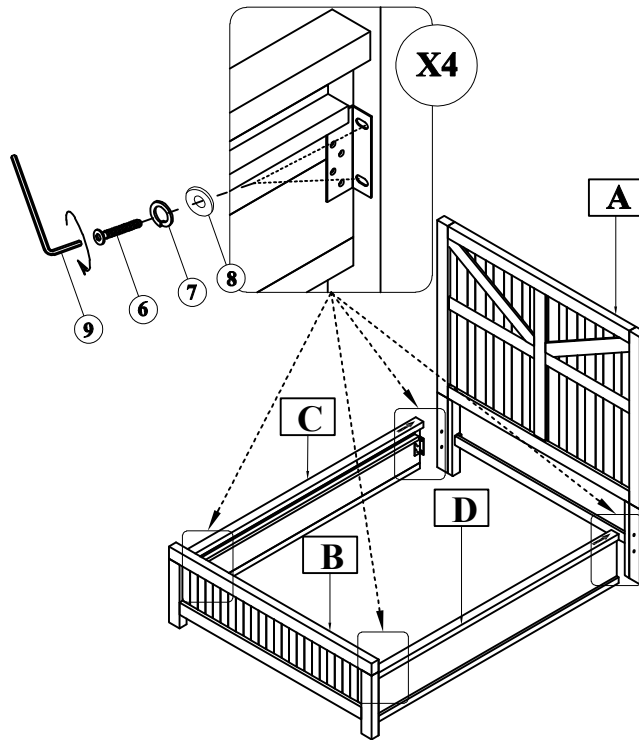
TARYN FULL/ QUEEN/ E. KING BED ASSEMBLY INSTRUCTIONS



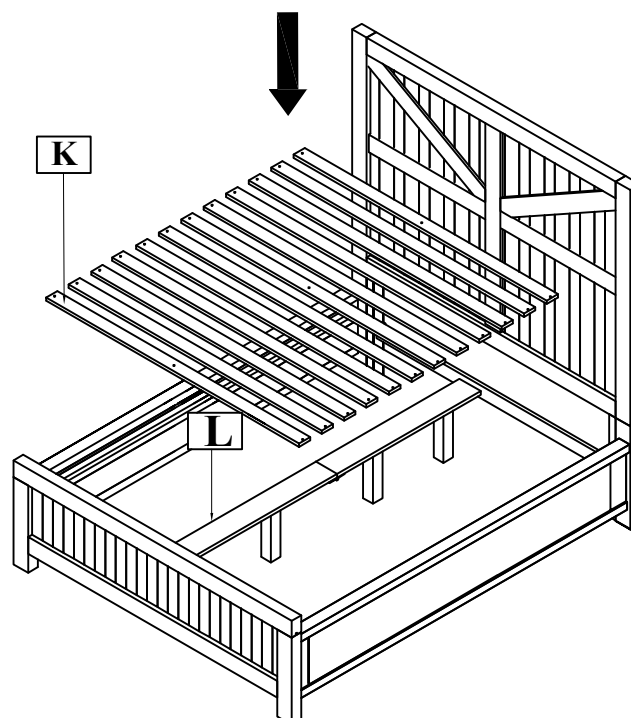
**NOTE! ASSEMBLY IS THE SAME FOR ALL SIDE RAIL CONFIGURATIONS.
FOR THOSE WITH STORAGE RAILS, PLEASE ORIENT THE STORAGE
DRAWERS SO THEY ARE ADJACENT TO THE FOOTBOARD; THE 'EMPTY
SPACE' SHOULD BE ADJACENT TO THE HEADBOARD.**

STEP 4:

**NOTE! USE HARDWARE
PACKED IN BOX #2 FOR
REMAINING STEPS.**



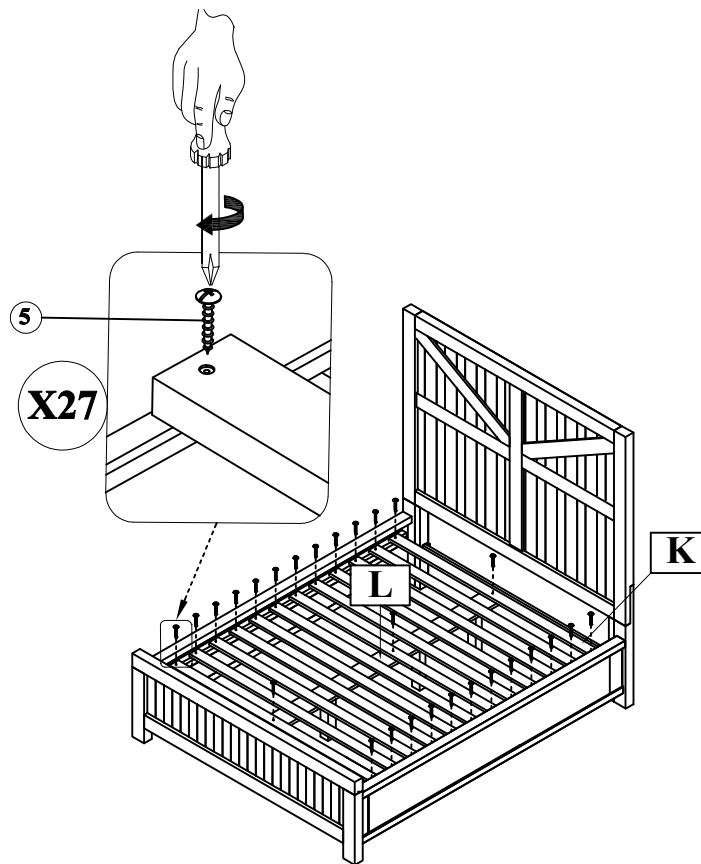
STEP 5:



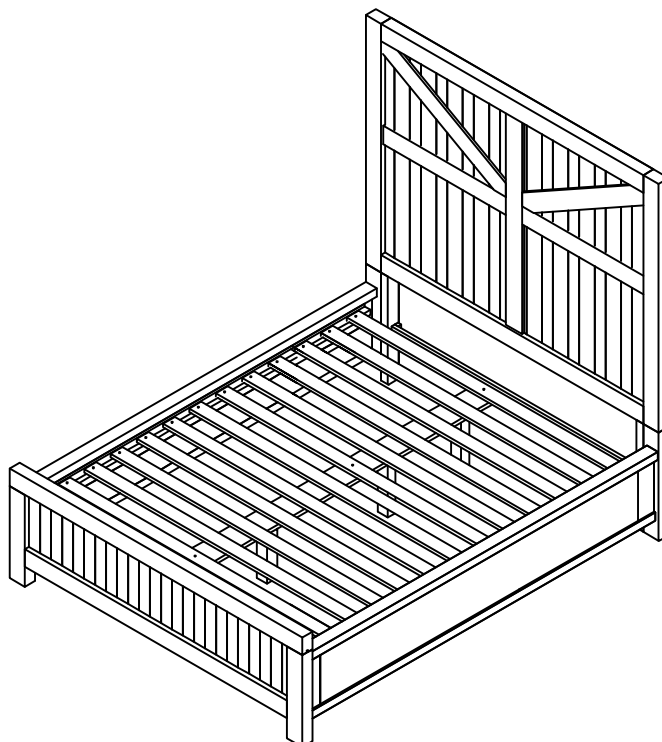
TARYN FULL/ QUEEN/ E. KING BED ASSEMBLY INSTRUCTIONS



STEP 6:



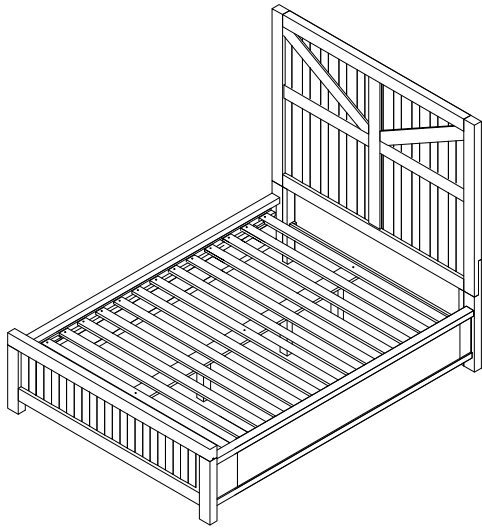
TARYN FULL/ QUEEN/ E. KING BED FULLY ASSEMBLED :



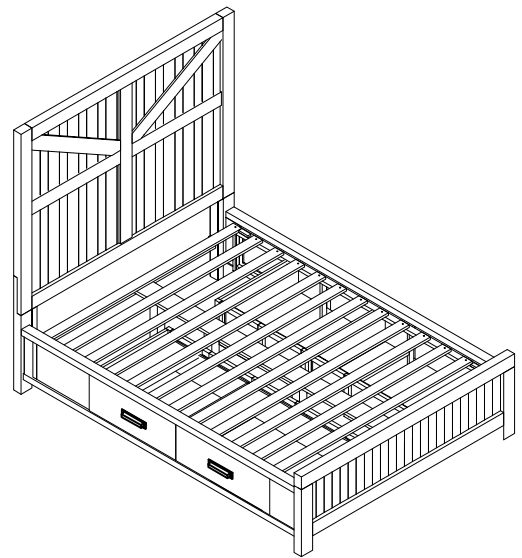
**TARYN C.KING BED
ASSEMBLY INSTRUCTIONS**



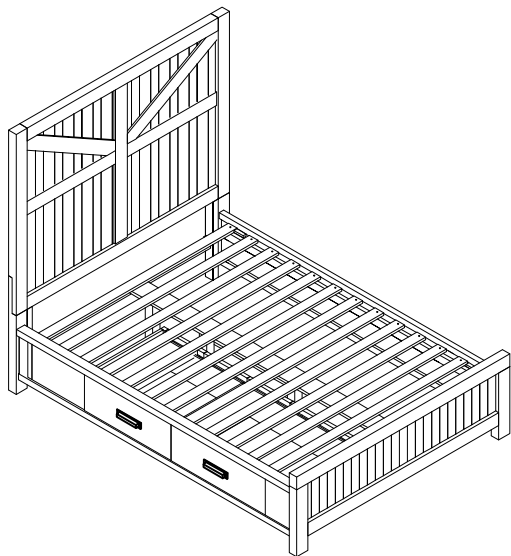
THE TARYN BED IS AVAILABLE IN FOUR DIFFERENT CONFIGURATIONS



NON STORAGE PLATFORM BED



FULL STORAGE PLATFORM BED



LEFT SIDE STORAGE PLATFORM BED



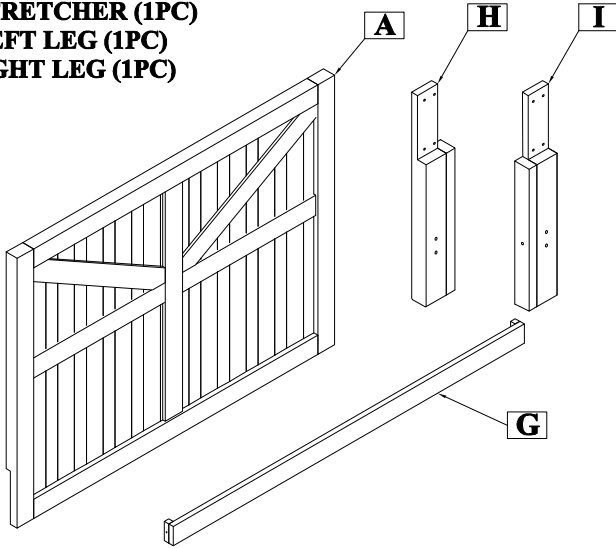
RIGHT SIDE STORAGE PLATFORM BED

TARYN C.KING BED ASSEMBLY INSTRUCTIONS

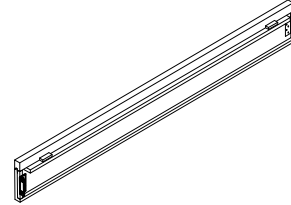


PARTS PACKING CONFIGURATIONS

BOX 1
A. HEADBOARD (1 PC)
G. STRETCHER (1PC)
H. LEFT LEG (1PC)
I. RIGHT LEG (1PC)

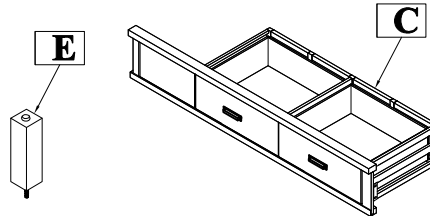


BOX 3
C. REGULAR SIDE RAIL (1 PC)

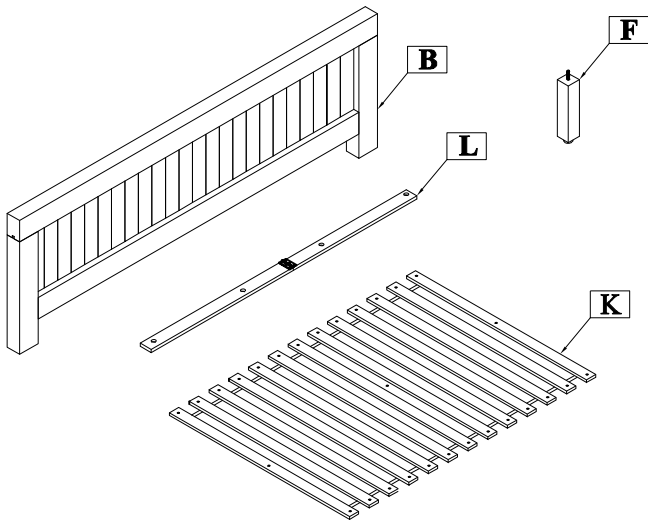


OR

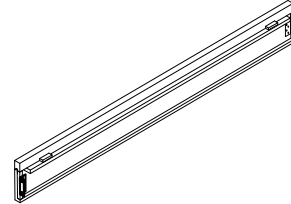
C. LEFT STORAGE SIDE RAIL (1 PC)
E. SUPPORT LEG 2 (2PCS)



BOX 2 : ASSEMBLY INSTRUCTIONS
B. FOOTBOARD (1 PC)
K. SLAT ROLL (1PC)
L. CENTER SLAT SUPPORT (1PC)
I. SUPPORT LEG 1 (4PCS)

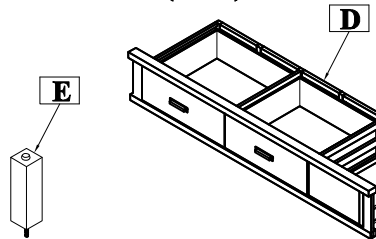


BOX 4
D. REGULAR SIDE RAIL (1 PC)



OR

D. RIGHT STORAGE SIDE RAIL (1 PC)
E. SUPPORT LEG 2 (2PCS)



HARDWARE PACKED IN BOX 1:

No.	Description	Photo	Quantity
1	Allen Bolt (M8X50)		10 PCS
2	Spring washer (M8)		10 PCS
3	Flat washer (M8)		10 PCS
4	Allen Key		1 PC

HARDWARE PACKED IN BOX 2:

No.	Description	Photo	Quantity
5	Wood Screw (M4X40)		29 PCS
6	Allen Bolt (M8X30)		8 PCS
7	Spring washer (M8)		8 PCS
8	Flat washer (M8)		8 PCS
9	Allen Key		1 PC

TOOL REQUIRED

PHILLIPS-HEAD SCREWDRIVER (NOT PROVIDED)

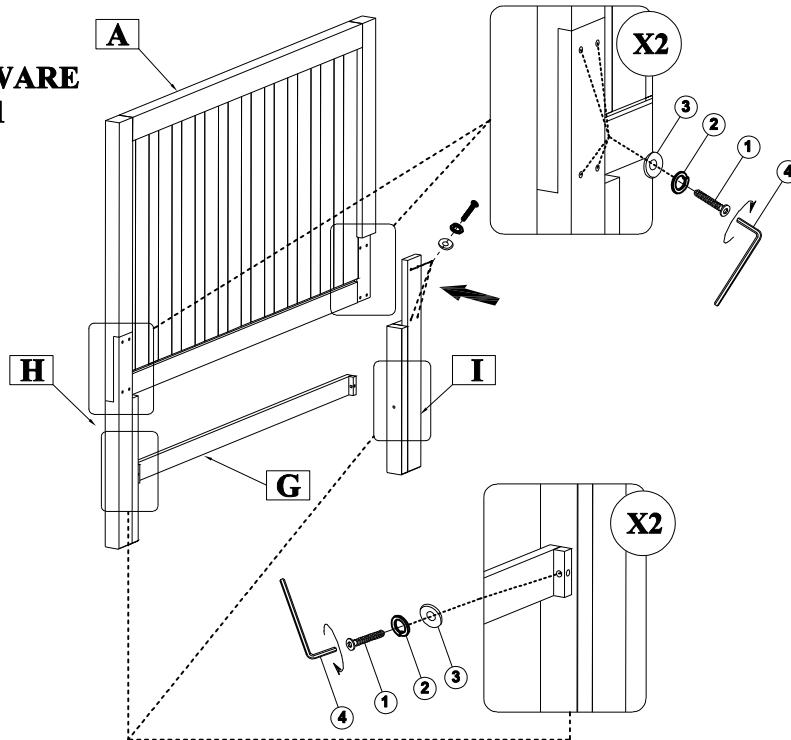


TARYN C.KING BED ASSEMBLY INSTRUCTIONS

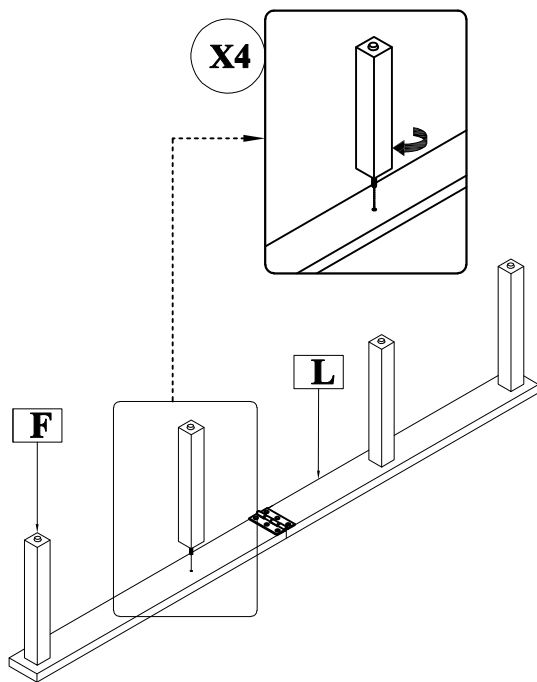


STEP 1:

**NOTE! USE HARDWARE
PACKED IN BOX #1
FOR STEP 1**

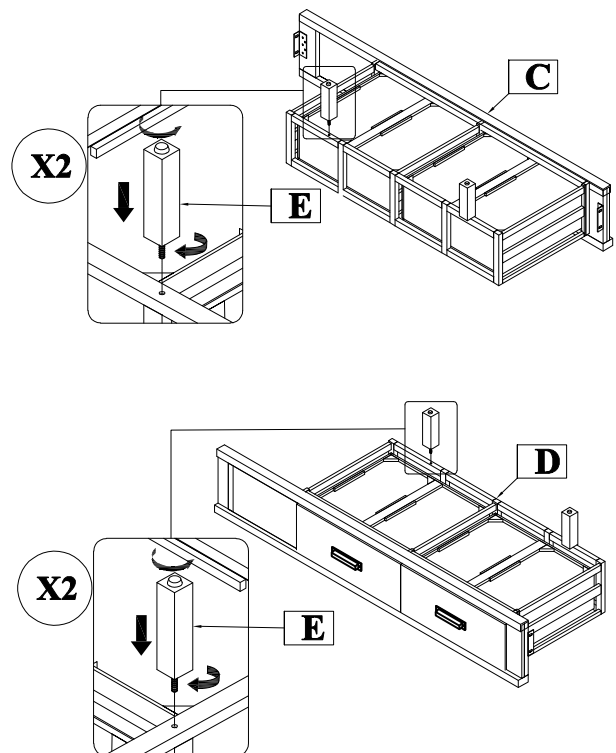


STEP 2:



STEP 3:

**NOTE ! ONLY APPLY FOR STORAGE SIDE
RAIL**



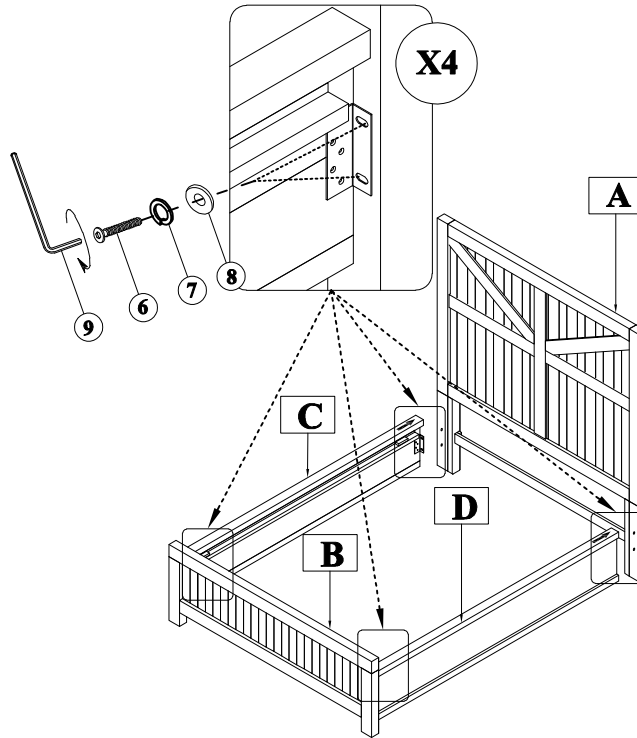
TARYN C.KING BED ASSEMBLY INSTRUCTIONS



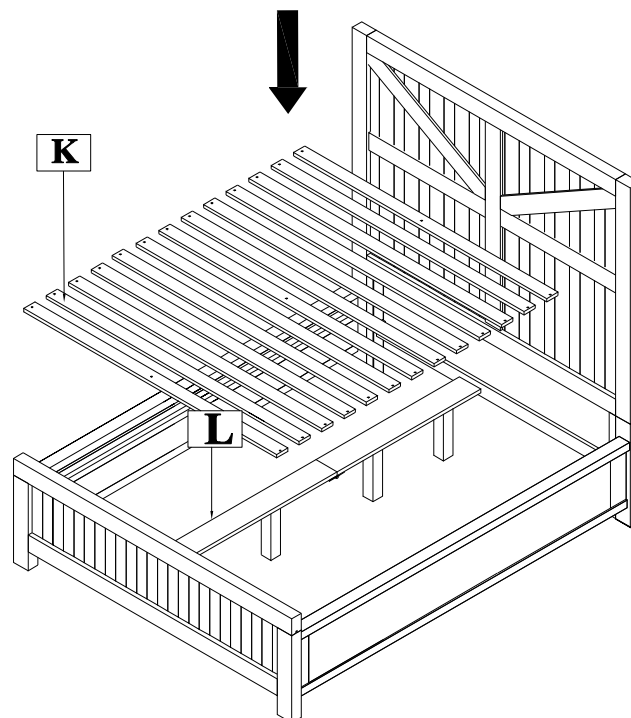
**NOTE! ASSEMBLY IS THE SAME FOR ALL SIDE RAIL CONFIGURATIONS.
FOR THOSE WITH STORAGE RAILS, PLEASE ORIENT THE STORAGE
DRAWERS SO THEY ARE ADJACENT TO THE FOOTBOARD; THE 'EMPTY
SPACE' SHOULD BE ADJACENT TO THE HEADBOARD.**

STEP 4:

**NOTE! USE HARDWARE
PACKED IN BOX #2 FOR
REMAINING STEPS.**



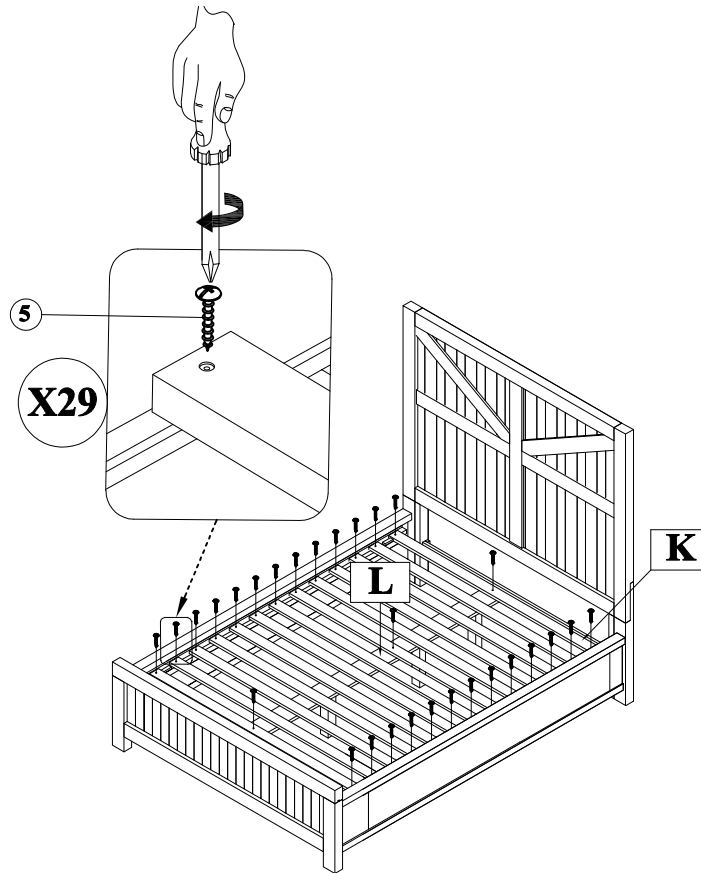
STEP 5:



TARYN C.KING BED ASSEMBLY INSTRUCTIONS



STEP 6:



TARYN C.KING BED FULLY ASSEMBLED :

