
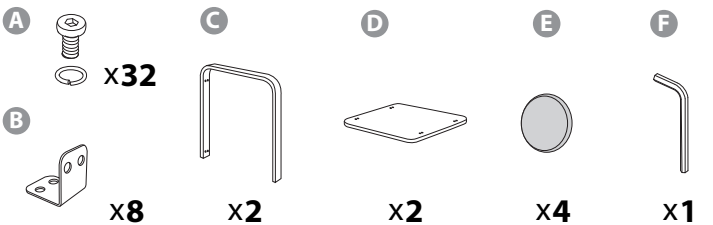




1017426 BELLWOOD SIDE TABLE
1017426-xxx All Colours
A4 Assembly Sheet Artwork @100%

21 cm

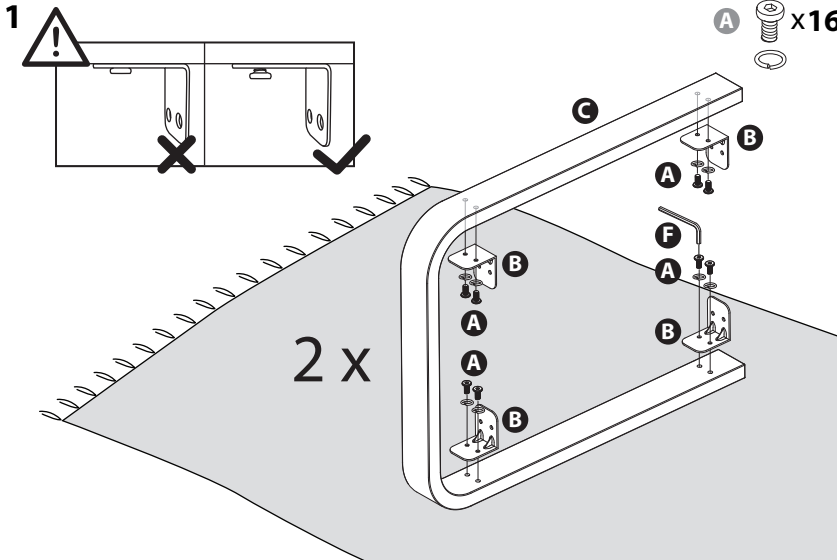


BELLWOOD
Side Table
Table d'appoint
Mesa lateral
Beistelltisch
Mesa de canto
Tavolino
Design/Diseño: Matt Carr
umbra.com



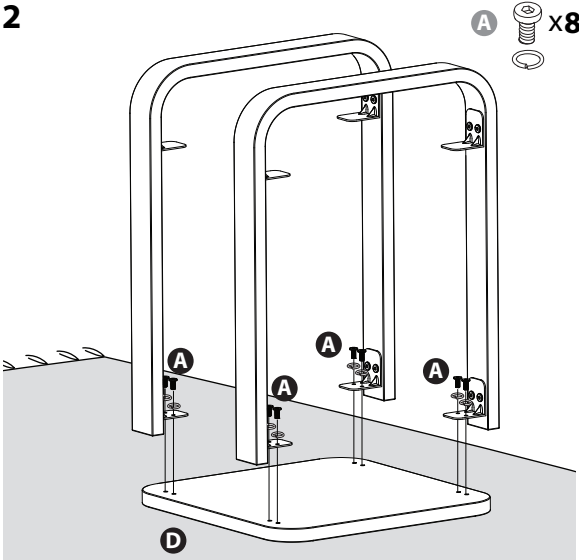



1

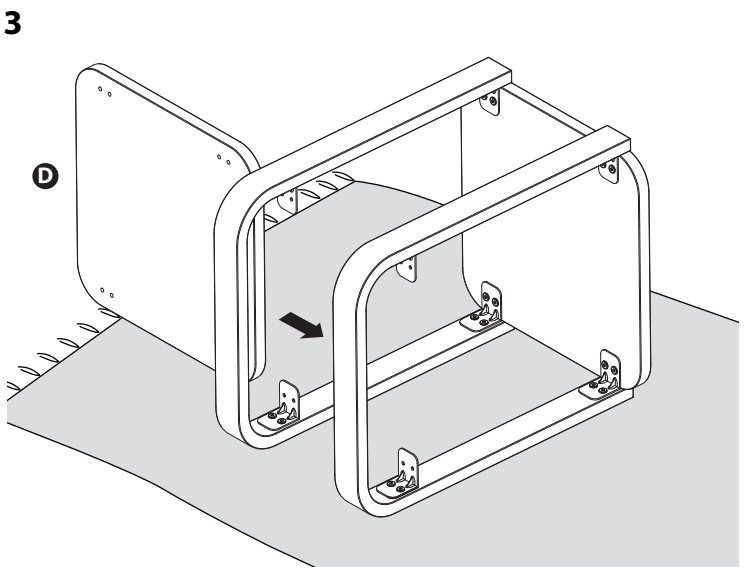


2 x

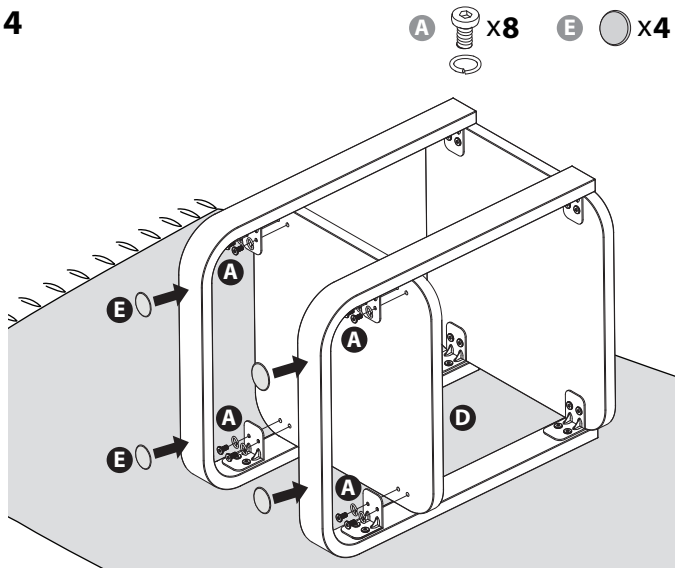
2



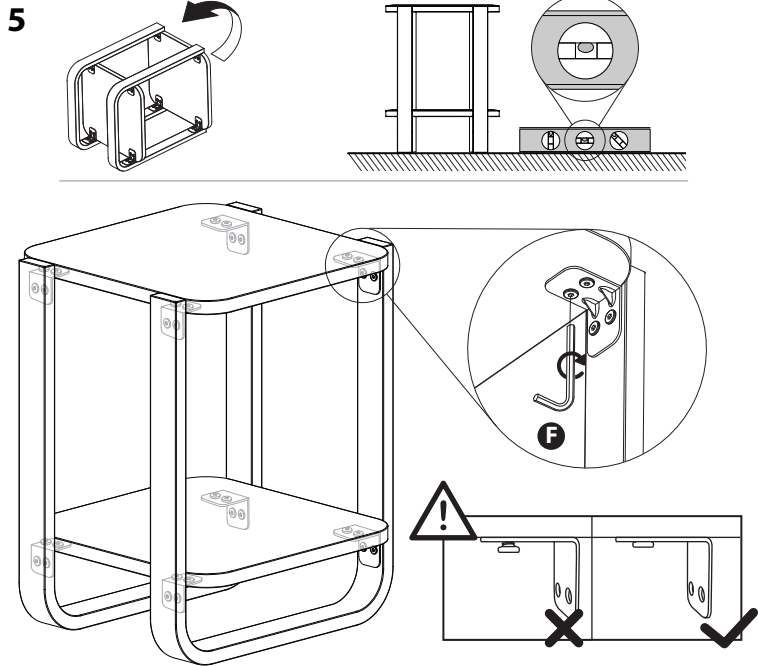
3



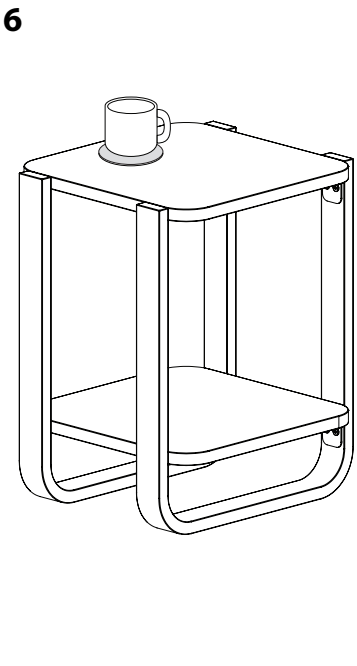
4



5



6



EN Use coasters to avoid direct contact to wood surfaces, and if you experience a spill, wipe with a damp clean cloth immediately.

FR Pour éviter tout contact direct avec des surfaces en bois, utilisez des sous-verres ; si vous renversez du liquide, essuyez-le immédiatement à l'aide d'un chiffon humide propre.

ES Utilice posavasos para evitar el contacto directo con las superficies de madera y, si ocurre un derrame, limpie inmediatamente con un paño húmedo y limpio.

DE Verwenden Sie Untersetzer, um direkten Kontakt mit Holzoberflächen zu vermeiden. Wenn etwas darauf verschüttet wird, wischen Sie es sofort mit einem feuchten und sauberen Tuch ab.

PT Use porta-copo para evitar o contato direto com a superfície de madeira; em caso de derramamento, limpe imediatamente com um pano limpo úmido.


IT Utilizzare i sottobicchieri per evitare il contatto diretto con le superfici in legno e, in caso di fuoriuscite, pulire immediatamente con un panno umido.

29.7 cm

K

CYAN dieline does not print

Cut (Does not print)

	Docket : 1017426	Artist : AL/CH	Category manager : LC	SKU#:	<input type="checkbox"/>	DESIGNER:	<input type="checkbox"/>
	Date : 2022/7/14	Scaled @ : 100%		COLOUR:	<input type="checkbox"/>	FACEPAPER:	<input type="checkbox"/>
	Revision : 8	Colour : K		SUFFIX:	<input type="checkbox"/>	BAR CODE#:	<input type="checkbox"/>
<p style="font-size: 0.8em;">NOTE: THIS COLOUR OUTPUT IS NOT COLOUR ACCURATE</p> <p style="font-size: 0.7em;">All copyright, design and other intellectual property rights in the contents hereof are the sole and exclusive property of Umbra Ltd./Umbra Inc. The provision of this document to you does not afford you any ownership rights or license to use or reproduce same, all of which remains the property of Umbra Ltd./Umbra Inc. Reproduction, storage in a retrieval system, or transmission in any form by any means, whether electronic, mechanical or otherwise, in whole or part, without the prior written consent of Umbra Ltd./Umbra Inc. is strictly prohibited.</p>				NAME:	<input type="checkbox"/>	CARB:	<input type="checkbox"/>
				DESCRIPTION:	<input type="checkbox"/>	DATE:	<input type="text"/>
				SIZE:	<input type="checkbox"/>	PROOFED BY:	<input type="text"/>

Umbra Ltd.
40 Emblem Court
Toronto, Ontario
Canada, M1S 1B1
tel : 416-299-0088
fax : 416-299-9276