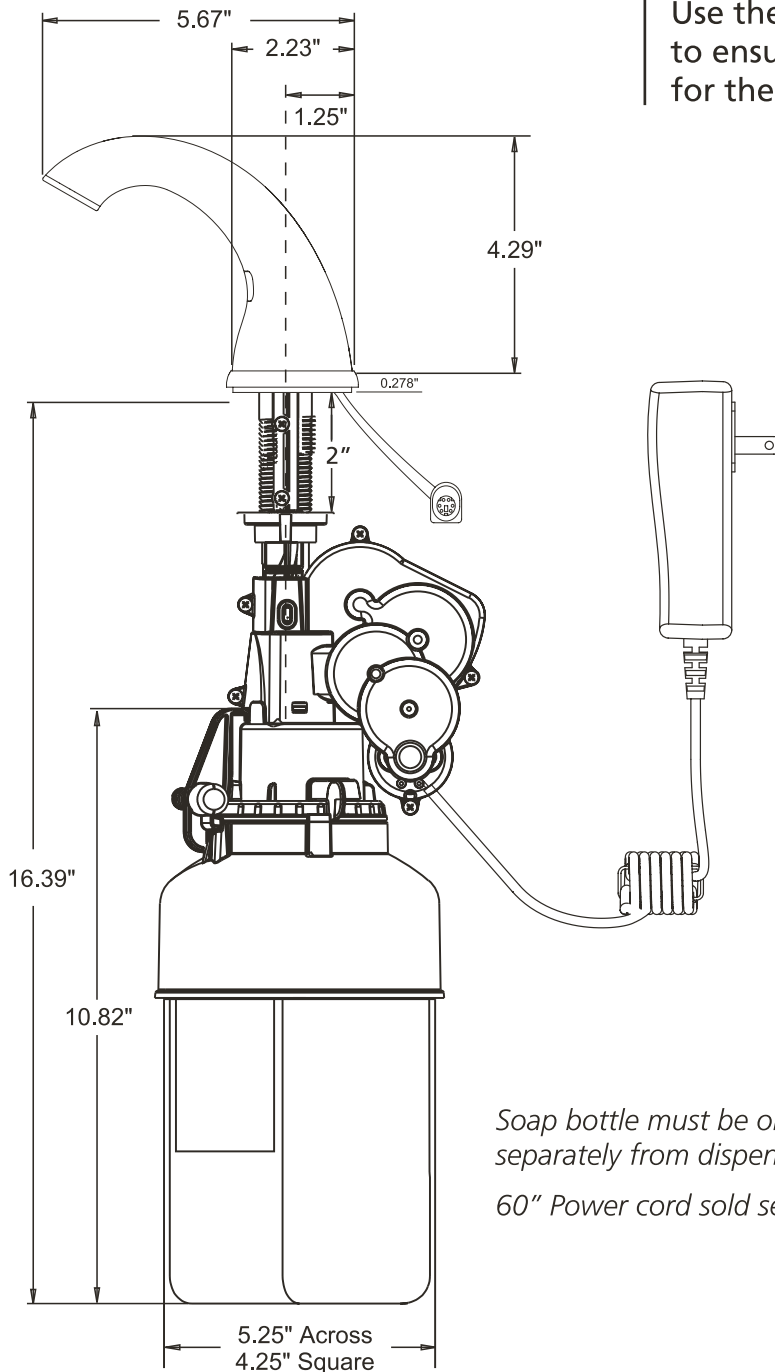


GOJO CXac™ DISPENSER DIMENSIONS

These dimensions apply to GOJO® CXac dispenser.



Use the dimensions provided to ensure adequate clearance for the new unit.

Soap bottle must be ordered separately from dispenser
60" Power cord sold separately

Side View



GOJO Industries, Inc.
One GOJO Plaza, Suite 500
P.O. Box 991 • Akron, OH 44309-0991
Tel: 1-330-255-6000 • Toll-free: 1-800-321-9647
Fax: 1-800-FAX-GOJO