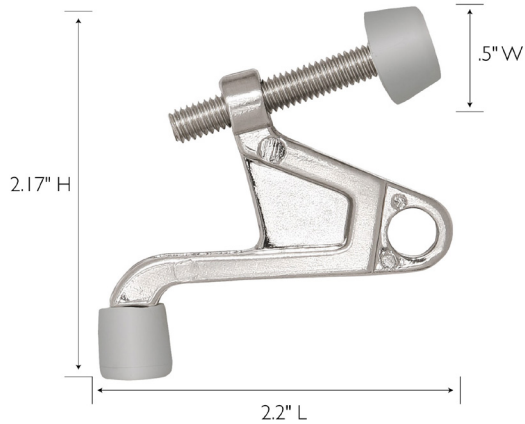


Jumbo Hinge Pin Door Stop, 5-Pack
Satin Nickel



SPECIFICATIONS

MATERIAL CONSTRUCTION:	Zinc
MOUNTING HARDWARE INCLUDED:	Yes
ASSEMBLED DIMENSIONS:	2.17" H x 2.2" L x .5" W
ASSEMBLED WEIGHT:	.35 lbs.

WARRANTY:	1-Year limited warranty
LEGAL FOR SALE IN CALIFORNIA:	Yes



TYPE:
JOB:
ORDER CODE:
APPROVALS: