

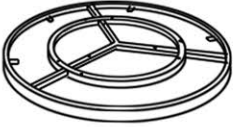



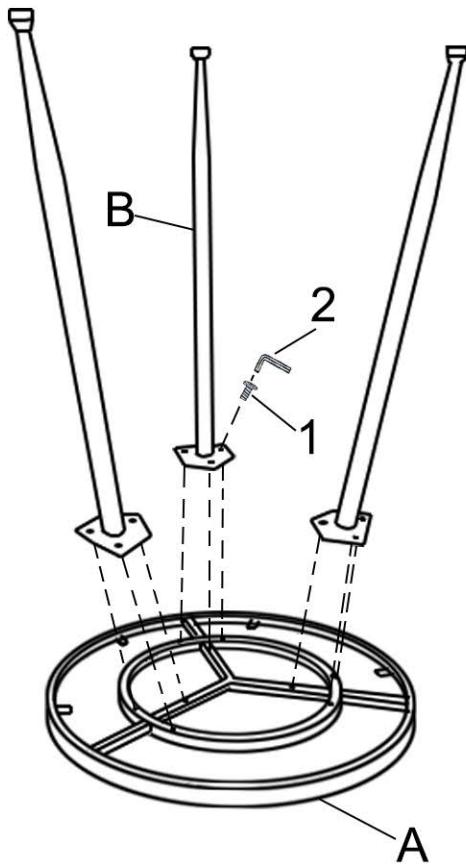
# ASSEMBLY INSTRUCTIONS

## Parts required

1		Bolt	$\Phi 6*10\text{MML}$	9pcs
2		Allen wrench		1pc

A		1pc
B		3pcs

1.



2.

