

ASSEMBLY INSTRUCTION

Item: 6150-90267-85 Mill Ridge 6/0-6/6 Panel Headboard
 6150-90268-85 Mill Ridge 6/0-6/6 Panel Footboard
 6150-90263-85 Mill Ridge 6/0 Rails
 6150-90253-85 Mill Ridge 5/0-6/6 Rails

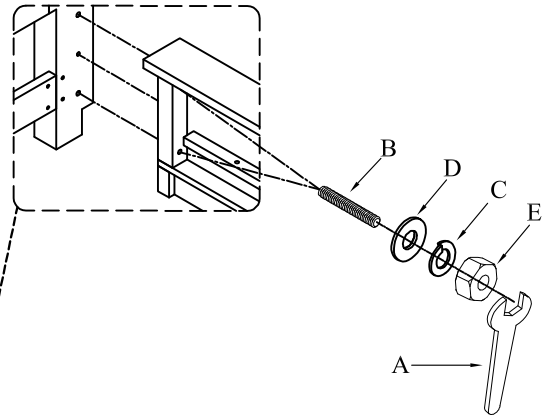
Thank you for purchasing this quality product. Be sure to unpack carefully looking for small parts which may have come loose during shipment.

Read all instruction and study the drawing carefully before starting the assembly process:

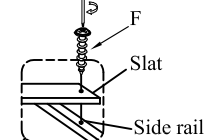
HARDWARE PACK

NO	DRAWING	DESCRIPTION	SIZE	Q'TY
A		Wrench	12mm	1pc
B		Threaded Rod	Ø5/16"*4-1/2"	8pcs
C		Lock Washer	Ø5/16"*12*3	8pcs
D		Flat Washer	Ø5/16"*19*2	8pcs
E		Nut	Ø5/16"*12	8pcs
F		Screw	8#*1"	10pcs

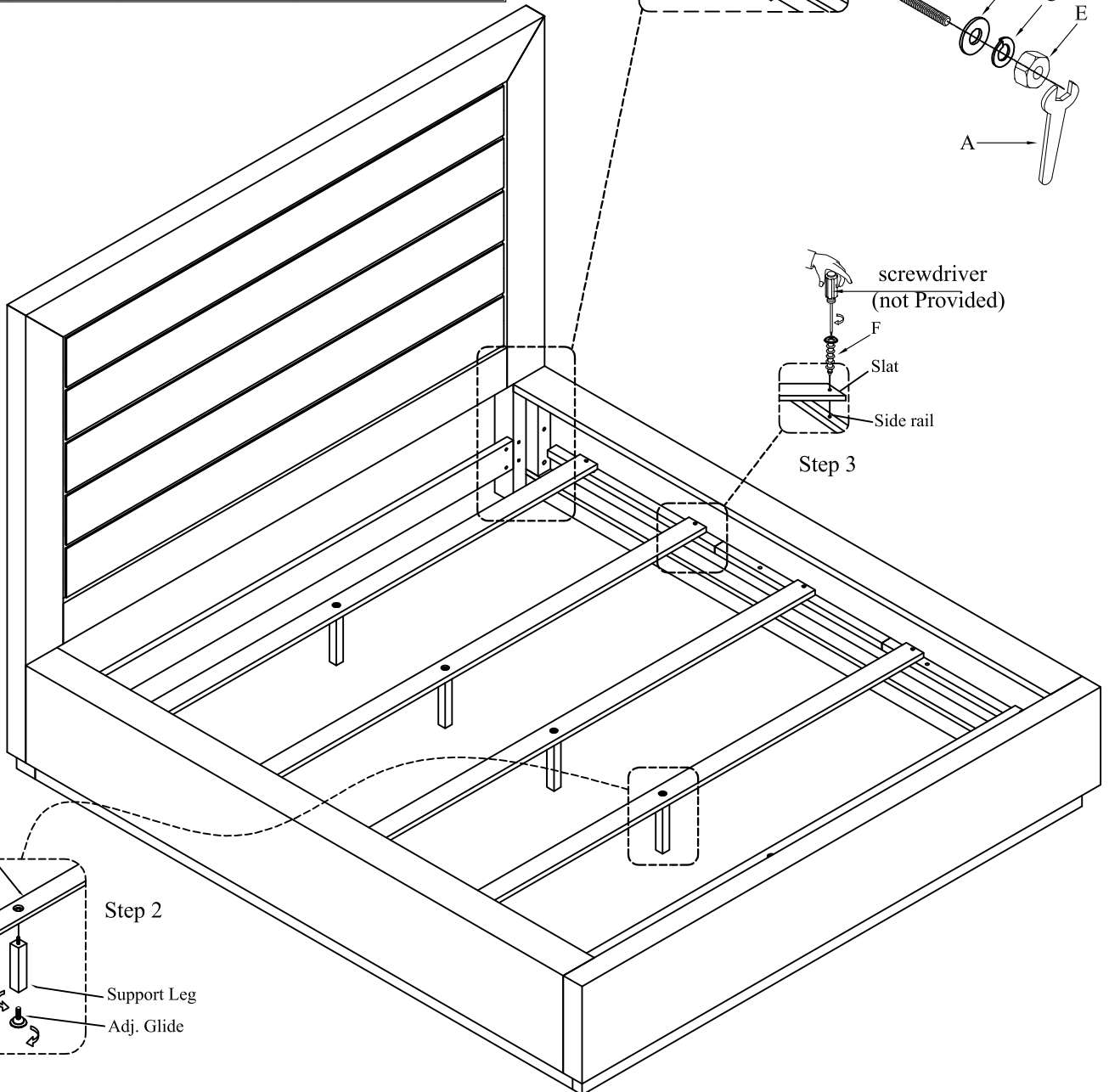
Step 1



screwdriver
(not Provided)

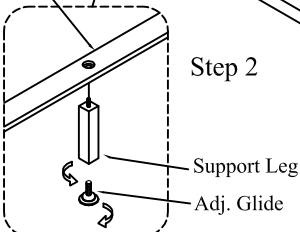


Step 3



Slat

Step 2



Support Leg

Adj. Glide

Adjust levelers if needed, to level case on uneven floor