

Sirène

Commercial Toilet

SM-CT101

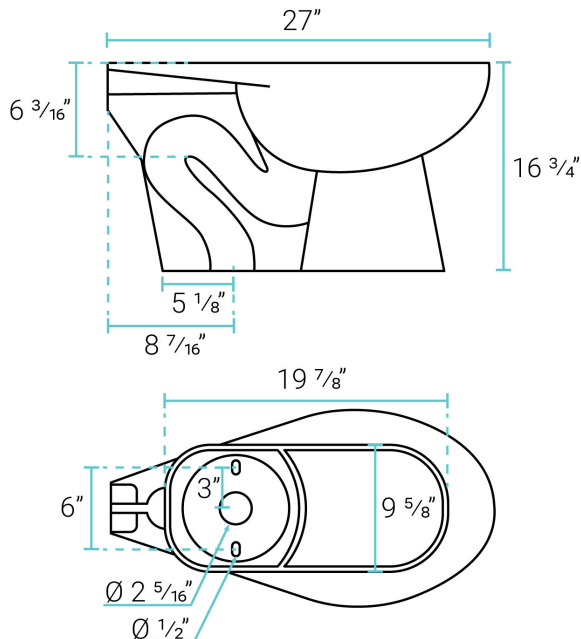


Specifications:

- N.W: 48.5 lb.
- L: 27" x W: 14 1/8" x H: 16 3/4"
- Trapway Diameter: 2"
- Rim to Water Surface: 5 9/16"
- Water Surface Size: 11 13/16" x 8 11/16"
- Seat-Mounting Holes: 5 1/2"

Required Parts (sold separately):

- Flushometer



Swiss Madison®
well made forever

Features:

- Durable ceramic material
- Standard elongated seat
- Elongated bowl offers added room and comfort
- Made to operate at 1.6 GPF (gallons per flush)

Installation:

- Floor mount
- Standard 10" or 12" rough-in

Colors & Finishes:

- White: SM-CT101

Included Parts:

- Seat: SM-SES99
- Wax Ring Kit: SM-TPT01
- Spud Nut: SM-CPT02
- Spud Connector: SM-CPT01

Certifications/Standards:

- ADA

