



HOOKER  
— FURNITURE —




# ASSEMBLY INSTRUCTION

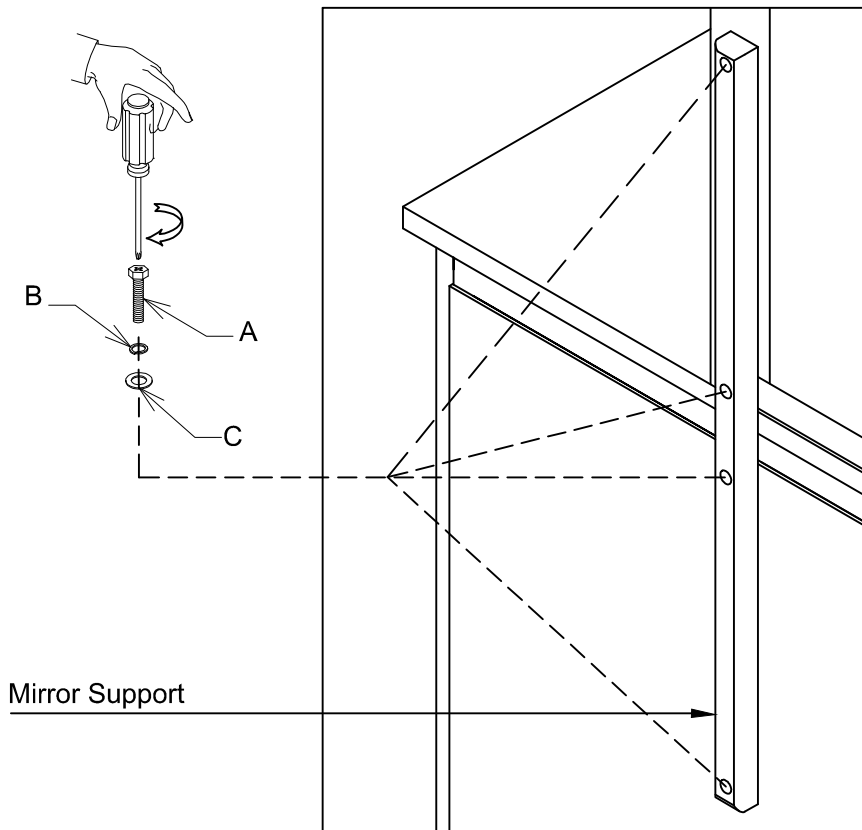
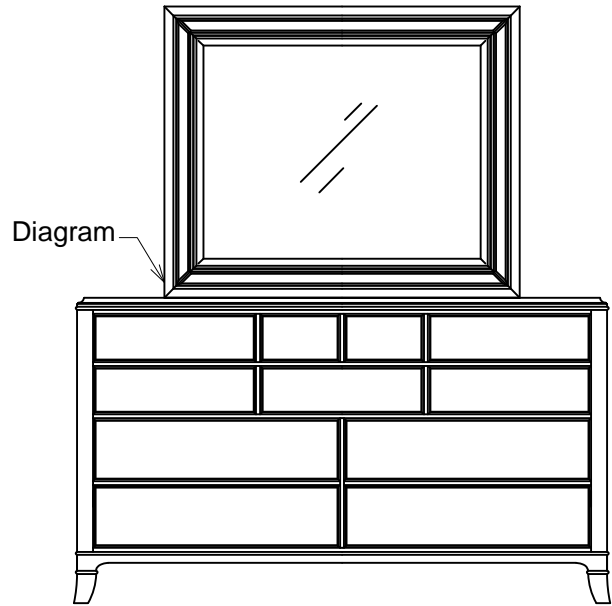
Item: 5183-90008 Landscape Mirror

Thank you for purchasing this quality product. Be sure to unpack carefully looking for small parts which may have come loose during shipment.

Read all instruction and study the drawing carefully before starting the assembly process:

## HARDWARE PACK OF HEADBOARD

NO	DRAWING	DESCRIPTION	SIZE	Q'ty
A		BOLT	Ø1/4" × 1-1/2"	8pcs
B		LOCK WASHER	Ø1/4" × 12 × 3	8pcs
C		FLAT WASHER	Ø1/4" × 19 × 2	8pcs



Diagram