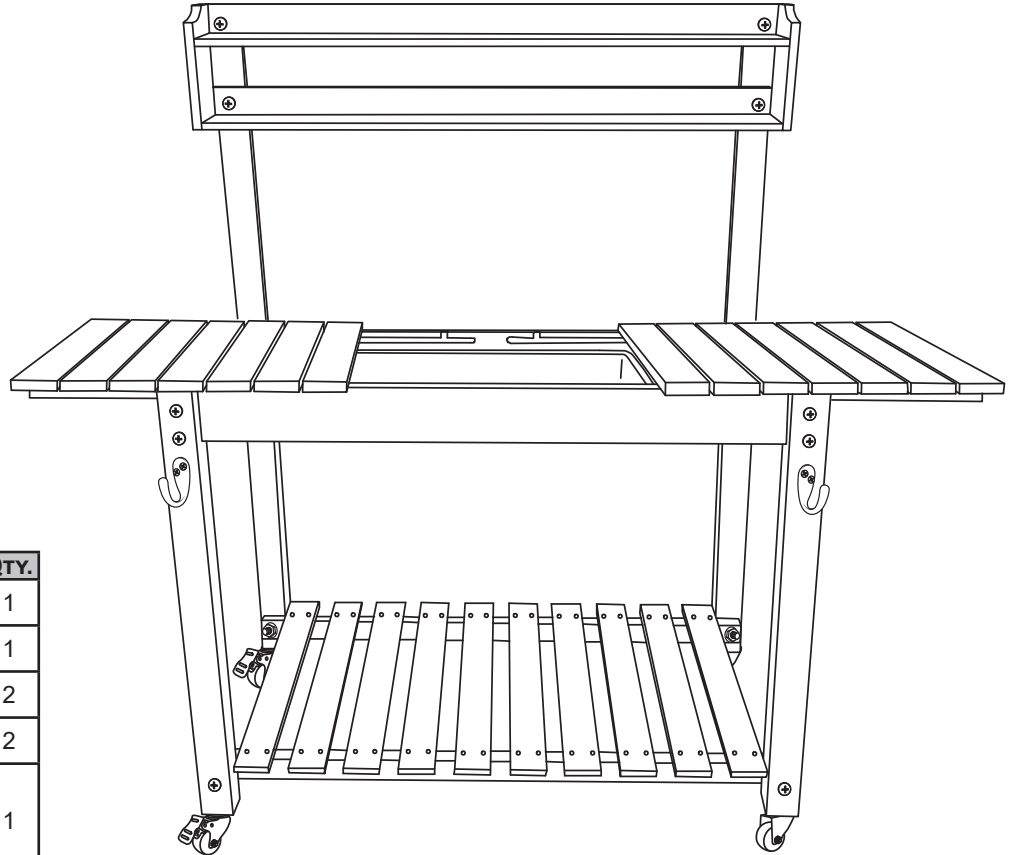



Thank you for choosing Sunnydaze Decor. We stand behind our brand and the quality of the items we sell. Replacement parts or products can be requested with the 1-year warranty period. Proof of purchase must be provided. This includes the date of the purchase as well as photos of the product defect. Photos are used to determine the cause of the defect and to provide future quality control. The request will be reviewed, and replacement pieces will be sent at our discretion. For warranty information, visit <https://tiny.cc/SunnydazeWarranty>




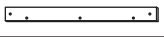
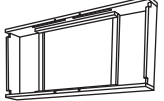


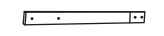

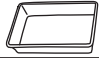


If you have any questions, comments or concerns, feel free to contact us by phone at 833-982-1977, by email: [customerservice@sunnydazedecor.com](mailto:customerservice@sunnydazedecor.com), or via our contact us page at <https://tiny.cc/SunnydazeContact>





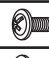


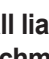
# POTTING BENCH WITH SLIDING TABLETOP IEO-2361


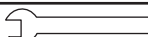
Review all assembly and care information before using this product. Save this manual for future reference.  
**Assemble components on a soft, clean surface to avoid damaging the finish.**



 Inspect packaging to ensure all parts are accounted for before disposing of packing materials.  
Save the packing slip.

No.	PARTS	QTY.
A	 Right Shelf Panel	1
B	 Left Shelf Panel	1
C	 Top Shelf Board	2
D	 Shelf Backboard	2
E	 Table Frame	1
F	 Front Leg	2
G	 Back Leg	2
H	 Shelf Support	2
I	 Bottom Shelf	1
J	 Basin	1
K	 Left Tabletop	1
L	 Right Tabletop	1

No.	HARDWARE	QTY.
1	 Locking Caster	2
2	 Caster	2
3	 Hook	2
4	 M3x14mm Screw	4
5	 M3.5x30mm Screw	22
6	 M6x25mm Bolt	4
7	 M6x45mm Bolt Set	8
8	 M6x60mm Bolt Set	4

TOOLS REQUIRED (not included)	
	⊗ Phillips Screwdriver
	⊙ 10mm Wrench

## WARNING

**CHOKING HAZARD** — This item contains small parts that can be swallowed. Keep children and pets away during assembly.

## WARNING:

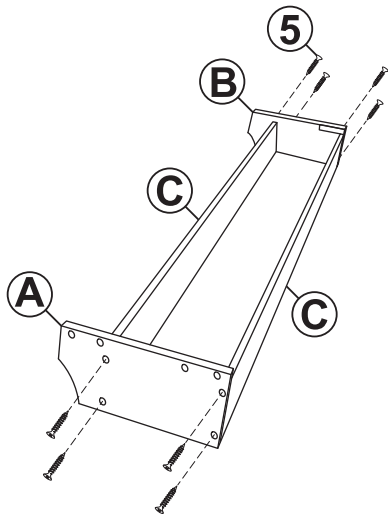
Manufacturer and seller expressly disclaim any and all liability from personal injury, property damage or loss, whether direct or indirect, or incidental, resulting from the incorrect attachment, improper use, inadequate maintenance, or neglect of this product.

# ASSEMBLY

*Review all steps and understand assembly before beginning.*

## STEP 1

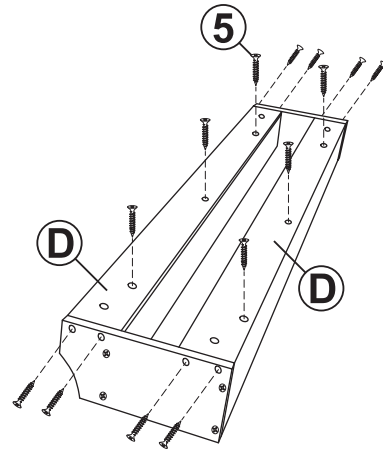
A: 1  
B: 1  
C: 2  
5: 8



Firmly secure Right Shelf Panel (A) and Left Shelf Panel (B) to two Top Shelf Boards (C) using eight M3.5x30mm Screws (5).

## STEP 2

D: 2  
5: 14

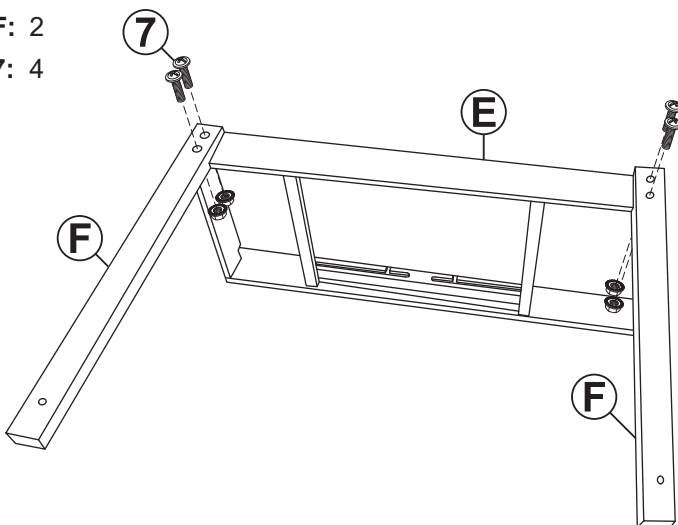


Secure two Shelf Backboards (D) to the back of the shelf boards using six M3.5x30mm Screws (5).

Then, secure the side panels to the backboards using eight M3.5x30mm Screws (5), as shown.

## STEP 3

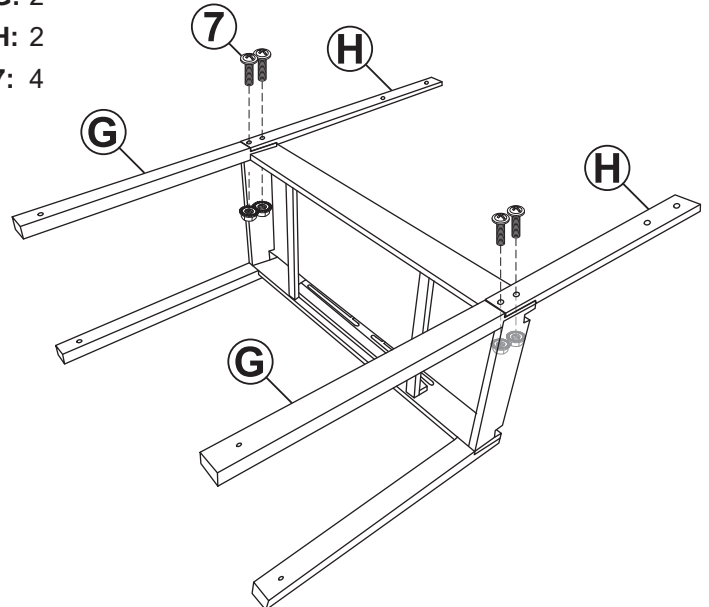
E: 1  
F: 2  
7: 4



Secure two Front Legs (F) to Table Frame (E) using four M6x45mm Bolt Sets (7).

## STEP 4

G: 2  
H: 2  
7: 4

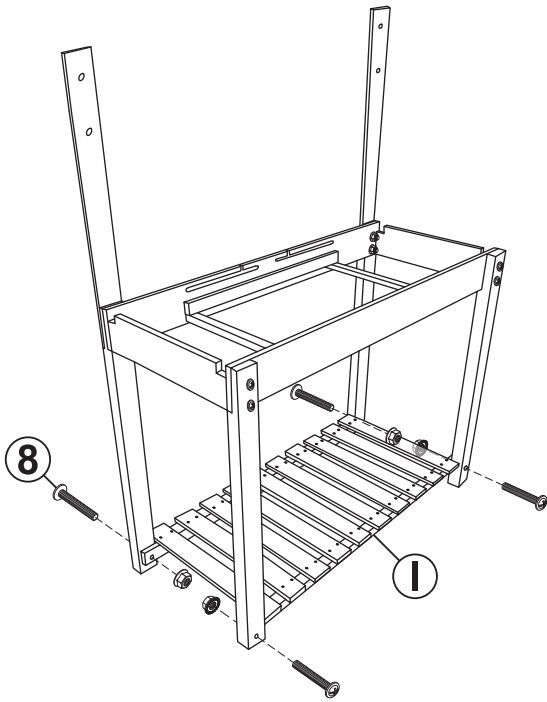


As shown, secure two Back Legs (G) and two Shelf Supports (H) to the back of the table frame using four M6x45mm Bolt Sets (7).

### STEP 5

I: 1

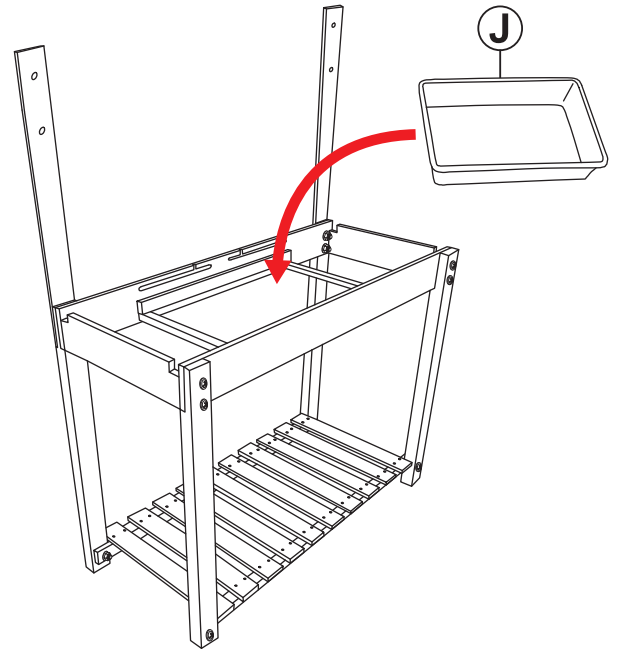
8: 4



Secure Bottom Shelf (I) to the legs using four M6x60mm Bolt Sets (8).

### STEP 6

J: 1

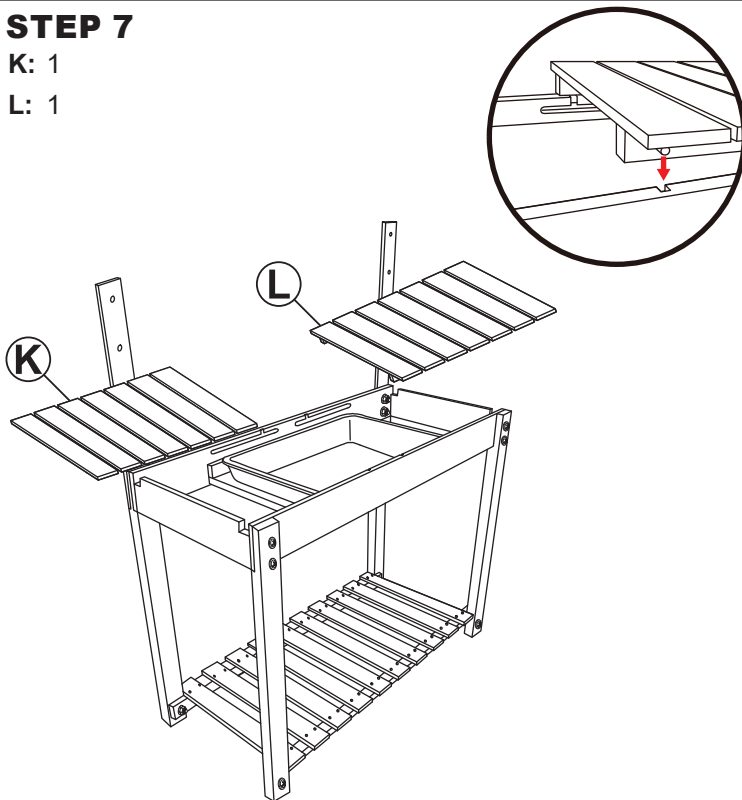


Place Basin (J) into the center of the table frame.

### STEP 7

K: 1

L: 1



Insert the dowels under Left Tabletop (K) and Right Tabletop (L) into the grooves in the table frame.

### STEP 8

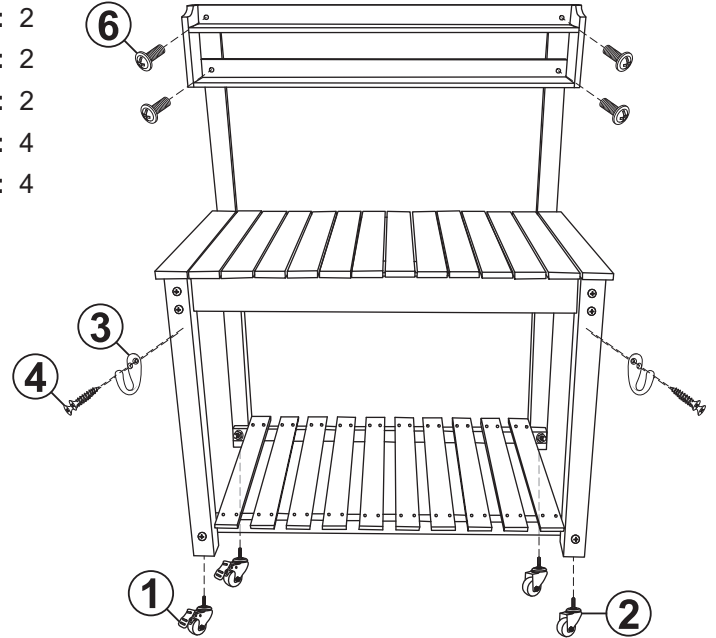
1: 2

2: 2

3: 2

4: 4

6: 4



Secure the top shelf to the shelf supports using four M6x25mm Bolts (6).

Install Hooks (3) to the front legs using four M3x14mm Screws (4).

Install Locking Casters (1) and Casters (2) to the bottom of the legs.

# Care & Maintenance

**SAFE USE:** Only use on a flat, level surface. Do not sit, stand, or climb on any part of this unit. Unless the unit is being moved, ensure the locking casters are engaged at all times. Empty shelves before moving the unit.

**INSPECT:** Periodically check hardware and tighten as necessary.

**CLEANING:** Follow the woodgrain with a soft brush or cloth to remove dust, dirt, and debris. Do not use chemicals or abrasive materials as they will damage the wood and/or finish.

**CARE & STORAGE:** Maintain the appearance and prevent damage by emptying and storing this item indoors when not in use.

Wood expands when wet and contracts when it dries. Repeated and excessive exposure to moisture, rain or snow can cause damage to the product. Resulting damage includes, but is not limited to, assembly points becoming loose, wood cracking, mold and mildew growth, and hardware rust.

**MAINTENANCE:** If left untreated, the wood may weather. To maintain the appearance, apply a suitable penetrating Wood, Teak, or Linseed Oil (not included) yearly, or when the wood looks particularly dry.

Clean the unit and bring it into a dry, warm, indoor location. Allow the unit to dry thoroughly before applying oil; drying may take several days. Only apply oil to wooden surfaces. Apply oil as directed by the wood oil manufacturer.

**WARNING:** THE ONE-YEAR WARRANTY DOES NOT COVER DAMAGES OR DEFECTS CAUSED BY THE APPLICATION OF CHEMICAL TREATMENTS, PROTECTIVE COATINGS, TOUCH-UP PAINT, OR CLEANING PRODUCTS.

## SAFETY STATEMENTS & WARNINGS

- Do not exceed the weight capacity of the unit.
- For decorative purposes only; not intended for use as a cart — empty all tiers before attempting to move the unit.
- Do not allow children to use this product.
- Do not sit, stand, or climb on any part of this unit.
- Keep this unit a safe distance from heat sources such as, but not limited to, fire pits, patio heaters, and grills.
- Inspect hardware often and tighten loose hardware as necessary.
- Do not use harsh chemicals or abrasive materials to clean the furniture.

**Any modification to the product or failure to follow recommended care will void the product warranty.**

*If you experience issues with assembly or the product was damaged during shipping, please contact our customer service team through one of the methods mentioned at the top of page 1.*

*Please have the item number and order information ready to expedite response time.*

## WARNING:

Manufacturer and seller expressly disclaim any and all liability from personal injury, property damage or loss, whether direct or indirect, or incidental, resulting from the incorrect attachment, improper use, inadequate maintenance, or neglect of this product.