

SINCE 1839

BRINLY

SINCE 1839

BRINLY

OWNER'S MANUAL

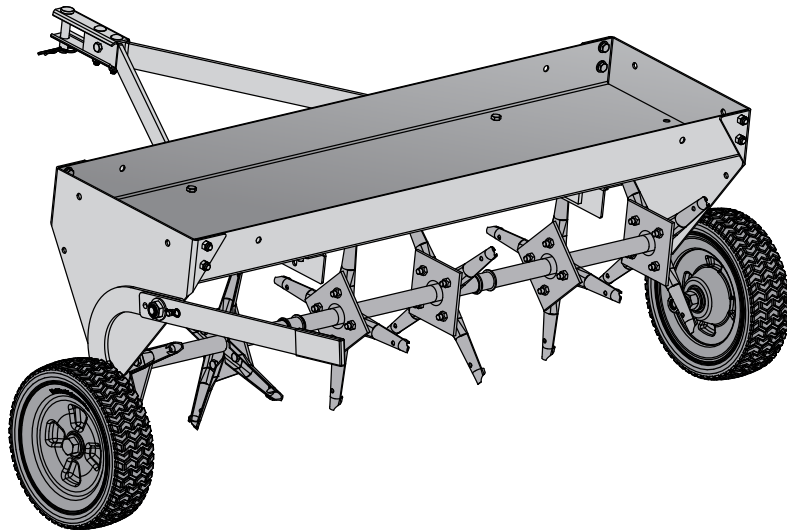
42" PLUG AERATOR

MODEL:

PA-42BH

PA-42BH-A

- Assembly
- Installation
- Operation
- Repair Parts



For use with Riders
and Lawn/Garden Tractors

Call Customer Service, Toll-Free: 877-728-8224

Visit us on the web!
www.brinly.com

Important: This manual contains information for the safety of persons and property. Read it carefully before assembly and operation of the equipment!

INTRODUCTION

CONGRATULATIONS on your new Brinly-Hardy purchase! This accessory has been designed, engineered and manufactured to give you the best possible dependability and performance.

Should you experience any problem you cannot easily remedy, please do not hesitate to contact our knowledgeable customer service department toll-free at 1-877-728-8224. We have competent, well trained technicians to help you with the assembly and use of your product.



CUSTOMER RESPONSIBILITIES

- Please read & retain this manual. The instructions will enable to assemble and maintain your product properly.
- Please carefully read and observe the SAFETY SECTION of this manual.
- Follow a regular schedule in maintaining and caring for your Brinly-Hardy product.

TABLE OF CONTENTS

Safety	2-3
Specifications	4
Hardware Identifier	5
Parts List	6-7
Assembly	8-15
Operation, Maintenance and Service	16-18
Limited Warranty	19

RECORD PURCHASE INFORMATION

Record your purchase information in the spaces provided below:

DATE OF PURCHASE _____

COMPANY NAME _____

SERIAL NUMBER _____

COMPANY PHONE _____

REQUIRED TOOLS FOR ASSEMBLY



- 7/16" Wrench
- 7/16" Socket & Ratchet
- 9/16" Wrench
- 9/16" Socket & Ratchet
- 1/2" Socket & Ratchet
- 5/16" Socket & Ratchet
- Pliers
- Gloves

SAFETY LABELS AND NOTATION



This symbol will help to point out important safety precautions throughout this manual. It means: **ATTENTION! BECOME ALERT! Your safety is involved.**

The safety labels shown in this section are placed in important areas on your product to draw attention to potential safety hazards.

On your product safety labels, the words **DANGER**, **WARNING** and **CAUTION** are used with the safety-alert symbol. **DANGER** identifies the most serious hazards.

The operator's manual also explains any potential safety hazards whenever necessary in special safety messages that are identified with the word, **CAUTION**, and the safety-alert symbol.

SAFETY

GENERAL NOTES (Operation)



Caution should be taken when towing and/or using any attachment. This attachment combined with the weight distribution, turning radius, and speed of towing vehicle can result in severe injury or death to operator, damage to towing vehicle, and/or attachment if not used properly. Follow all towing safety precautions noted in the towing vehicle owner's manual, including the following precautions:

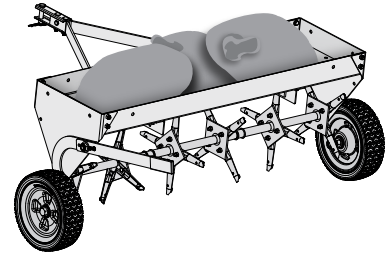
- Ensure the combined weight of the towing vehicle (tow vehicle weight + operator weight) is greater than the maximum towed weight of attachment (empty attachment weight + weight of load).
- Do not exceed maximum towing capacity of towing vehicle.
- Do not exceed the maximum drawbar pull rating of the towing vehicle. Drawbar pull is the horizontal force required to pull the attachment (including weight of load).
- Only tow this product in the vehicle's tow mode/speed setting or less than 5 mph. Do not exceed 5 mph.
- Towing speed should always be slow enough to maintain control. Travel slowly and use caution when traveling over rough terrain. Avoid holes, rocks and roots.
- Slow down before you turn and do not turn sharply.
- Use wide turning angles to ensure the attachment follows the path of the towing vehicle.
- Do not use attachment on steep slopes. A heavy load could cause loss of control or overturn attachment and towing vehicle. Additional weights may need to be added to your vehicle; check with towing vehicle manufacturer for recommendations.
- Reduce towed weight when operating on slopes.
- Keep all movement on slopes slow and gradual. Do not make sudden changes in speed, directions, or turning.
- If you start and stop suddenly on hills, you may lose steering control or the towing vehicle may tip.
- Do not start or stop suddenly when going uphill or downhill. Avoid uphill starts.
- Slow down and use extra care on hillsides. Turf conditions can affect vehicle stability. Use extreme caution while operating near drop-offs.
- Do not drive close to creeks, ditches and public highways.
- Watch out for traffic when crossing near roadways.
- Use care when loading or unloading the vehicle into a trailer or truck.
- The attachment can obstruct the view to the rear. Use extra care when operating in reverse.
- When reversing, carefully back-up straight to avoid jack-knifing. Do not allow towing vehicle wheels to contact attachment draw bar. Damage could result.
- Stop on level ground, disengage drives, set the parking brake, and shut off engine before leaving the operator's position for any reason including emptying the attachment.
- Use this attachment for intended purpose only.
- This attachment is intended for use in lawn care and home applications. Do not tow behind a vehicle on a highway or in any high speed applications.
- Do not tow at speeds higher than the maximum recommended towing speed.
- Do not tow this product behind a motor vehicle such as a car or truck.
- Always wear substantial footwear. Do not wear loose fitting clothing that can get caught in moving parts.
- Keep your eyes and mind on your towing vehicle, attachment and area being covered. Do not let other interests distract you.
- Stay alert for holes and other hidden hazards in the terrain
- Keep the towing vehicle and attachment in good operating condition and keep safety devices in place.
- The towing vehicle and attachment should be stopped and inspected for damage after striking a foreign object. Any damage should be repaired before restarting and operating the equipment.
- Keep all parts in good condition and properly installed. Fix damaged parts immediately. Replace worn or broken parts. Replace all worn or damaged safety and instruction decals. Keep all nuts, bolts and screws tight.
- Do not modify the attachment or safety devices. Unauthorized modifications to the towing vehicle or attachment may impair its function, safety and void the warranty.

TOWING VEHICLE AND TOWING SAFELY

- Know your towing vehicle controls and how to stop safely. **READ YOUR TOWING VEHICLE OWNER'S MANUAL** before operating.
- Check the towing vehicle brake action before you operate. Adjust or service brakes as necessary.
- Stopping distance increases with speed and weight of towed load. Travel slowly and allow extra time and distance to stop.
- Use only approved hitches. Tow this attachment only with a towing vehicle that has a hitch designed for towing. Do not connect this attachment except at the approved hitch point.

SPECIFICATIONS

- Follow the tow vehicle manufacture's recommendations for weight limits for towed equipment and towing on slopes. Use counterweights or wheel weights as described in the towing vehicle operator's manual.
- Do not shift to neutral and coast downhill.
- Do not allow children to operate the towing vehicle. Do not allow adults to operate the towing vehicle without proper instruction or without having read the owner's manual.



MODELS:

PA-42BH & PA-42BH-A

PROTECT THOSE AROUND YOU

- Before you operate any feature of this attachment or towing vehicle, observe your surroundings and look for bystanders.
- Keep children, bystanders and pets at a safe distance away while operating this or any attachment.
- Use care when reversing. Before you back up, look carefully behind for bystanders.

KEEP RIDERS OFF TOWED ATTACHMENT & TOWING VEHICLE

- Do not carry passengers.
- Do not let anyone, especially children, ride in/on this attachment, the towing vehicle or hitch bracket. Riders are subject to injury such as being struck by foreign object and/or being thrown off during sudden starts, stops and turns. Riders may also obstruct the operator's view resulting in this attachment being operated in an unsafe manner.

KEEP BODY PARTS FROM UNDER TOWBAR

Before disconnecting this machine from towing vehicle hitch plate:

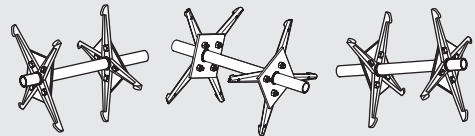
- Stop on level ground.
- Stop towing vehicle engine
- Lock towing vehicle park brake.
- Block wheels of the machine.
- Make sure body parts are not under towbar.

Maximum Towing Speed	5 MPH
Aerator Capacity	175 lbs.
Empty Weight	68 lbs.
Maximum Towing Weight	243 lbs.
Type of Tire	Semi Pneumatic

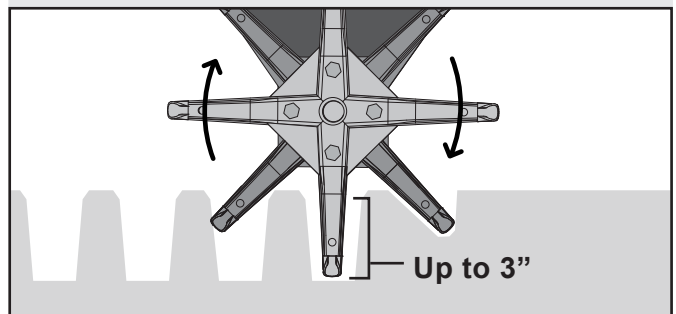


Online Info + Video Links

**175 lb
WEIGHT
CAPACITY**



3 Sets of Tube Assemblies



Aeration Depth	Up to 3"
Working Width	42"

HARDWARE IDENTIFIER

Illustrations on this page are to scale for faster identification of hardware during assembly.

DO NOT RETURN PRODUCT IF YOU ARE MISSING PARTS.

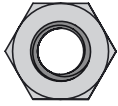
Please Call: 1 (877) 728-8224



14

Nut; Hex Lock, 5/16" (x25)

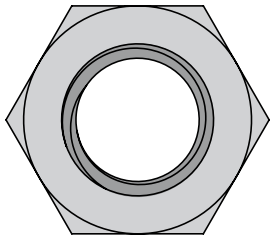
B-1674P



15

Nut; Nylon Lock, 5/16" (x21)

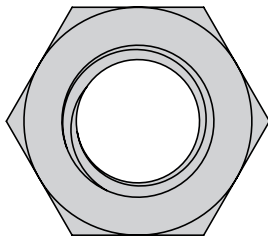
B-4786



16

Nut; Nylon Lock, 5/8" (x1)

1020078



17

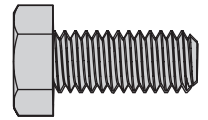
Nut; Hex, 5/8" (x4)

30M2000P

13

Bolt: Hex Head, 5/16 x 3/4" (x37).....

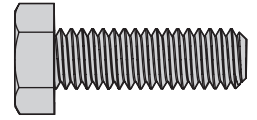
2M1012P



18

Bolt: Hex Head, 5/16 x 1" (x4).....

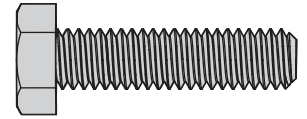
2M1016P



19

Bolt: Hex Head, 5/16 x 1 1/4" (x1).....

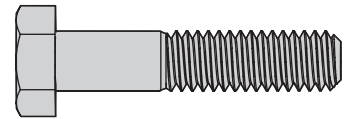
2M1020P



20

Bolt: Hex Head, 5/16 x 1 1/2" (x1).....

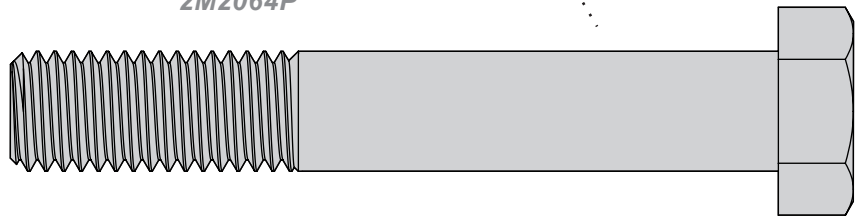
2M1024P



21

Bolt: Hex Head, 5/8 x 4" (x2).....

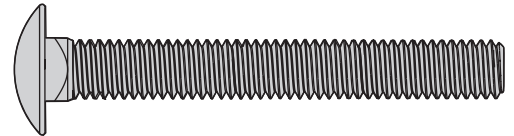
2M2064P



22

Carriage Bolt: 5/16 x 2 1/4" (x2).....

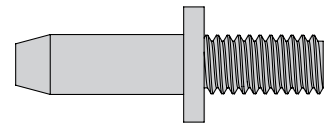
11M1036P



30

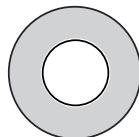
Transport Lock Pin (x1).....

1020346



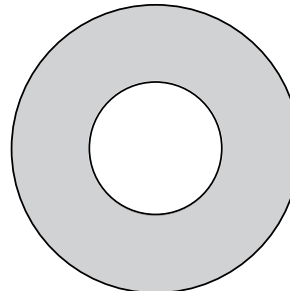
23

Washer: Flat 5/16" (x12)
45M1111P



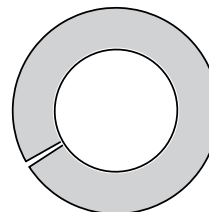
24

Washer: Flat 5/8" (x6)
45M2121P



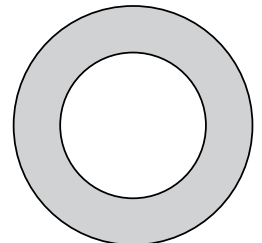
25

Washer: Lock 5/8" (x2)
40M2000P



26

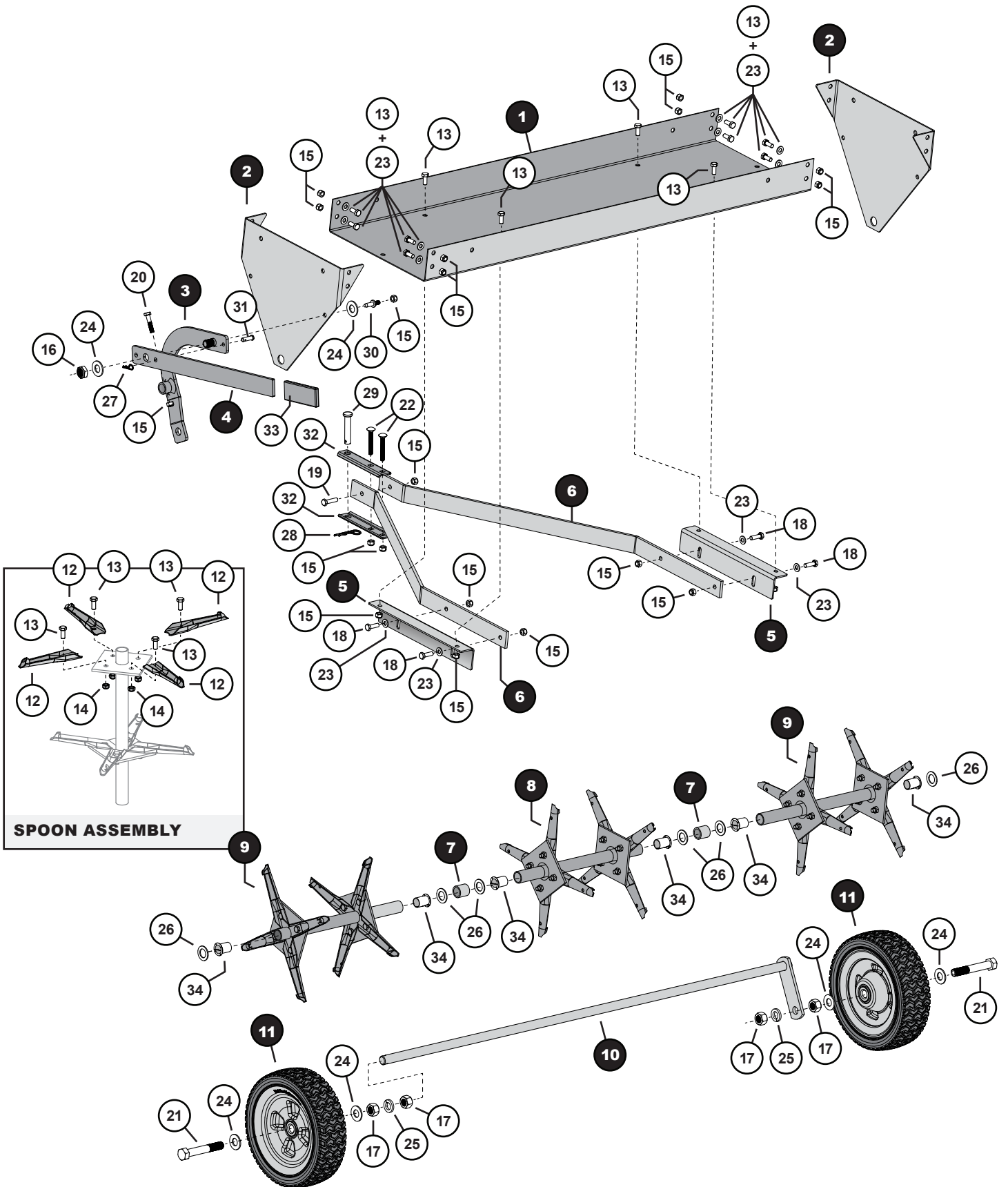
Bushing 3/4" (x8)
B-676P



Exterior circumferences of washers can vary. These dimensions are a measurement of the internal diameter of the washer.

PART EXPLOSION

PA-42BH & PA-42BH-A



PART LIST

PA-42BH & PA-42BH-A

Ref. Part #	Description	Qty.
1 1019962-BH	Tray	1
2 B-4851-10	End Plate	2
3 1019974-10	Lift Handle, Lower	1
4 1019976-10	Lift Handle, Upper	1
5 B-6171-10	Mounting Bracket	2
6 B-6259-10	Tow Bars	2
7 1020360-01	Spacer	2
8 B-5311-10	Center Tube Assembly	1
9 B-5309-10	End Tube Assembly	2
10 1019965-10	Axle	1
11 1009097	Wheel	2

Z-1530		Spoon / Hardware Bag #1	1
12	B-4855-05	Aerator Spoons	24
Z-1530-A		Inner Hardware Bag	1
13	2M1012P	▪ Bolt; Hex Head, 5/16 x 3/4	25
14	B-1674P	▪ Nut; Lock, 5/16"-18	25

1020137		Hardware Bag #2	1
15	B-4786	Nut; Nylon Lock, 5/16" -18	21
16	1020078	Nut; Nylon Lock, Thin, 5/8" -18	1
17	30M2000P	Nut; Hex, 5/8" -11	4
13	2M1012P	Bolt; Hex Head, 5/16" x 3/4"	12
18	2M1016P	Bolt; Hex Head, 5/16" x 1"	4
19	2M1020P	Bolt; Hex Head, 5/16" x 1-1/4"	1
20	2M1024P	Bolt; Hex Head, 5/16" x 1-1/2"	1
21	2M2064P	Bolt; Hex Head, 5/8" x 4"	2
22	11M1036P	Bolt; Carriage, 5/16" x 2-1/4"	2
23	45M1111P	Washer; Flat, 5/16"	12
24	45M2121P	Washer; Flat, 5/8"	6
25	40M2000P	Washer; Lock, 5/8"	2
26	B-676P	Bushing, 0.765 ID x 0.250	8
27	B-983	Cotter; Hairpin	1
28	D-146P	Cotter; Hairpin, 1/8", #211	1
29	B-3861	Pin; Hitch, 1/2" x 2-1/2"	1
30	1020346	Pin, Transport Lock	1
31	1020077	Clevis Pin, 5/16", 1"	1
32	R-892-10	Clevis	2
33	B-4867	Grip	1

Z-1531-A		Bearing Bag	1
34	B-4866	Bearing, Nyliner-3/4"	6

NOTE: Extra Hardware Included

At the end of assembly, you may have the following hardware remaining:

- x1 Hex Head Bolt, 5/16 x 3/4 (13)
- x1 Lock Nut, 5/16"-18 (14)
- x2 Bushing, 0.765 ID x 0.250 (26)

Installation Questions?
Missing Parts?
Replacement Parts?



DON'T GO BACK TO THE STORE!

Please call our Customer Service Department,
Toll Free: 877-728-8224 or customerservice@brinly.com

ASSEMBLY

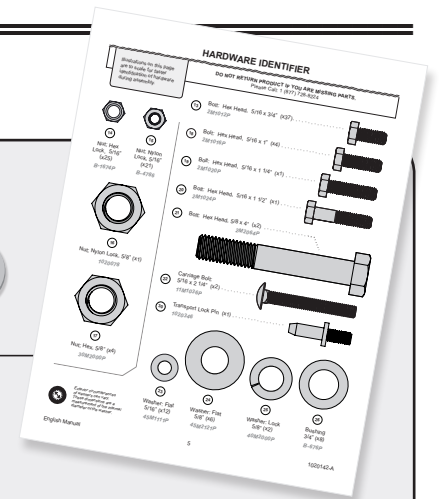
Assembly Tips

- **Illustrations on page 5 are to-scale.**
For faster identification of the hardware during assembly, simply lay the hardware on top of these illustrations.

If you have installation questions, are missing parts or need replacement parts, don't go back to the store! Please contact our Customer Service department:

- Call, Toll-Free: **877-728-8224**
- Chat online: **brinly.com**
- Email: **customerservice@brinly.com**

Additional info and videos are available on our website: **brinly.com**



Step 1-A

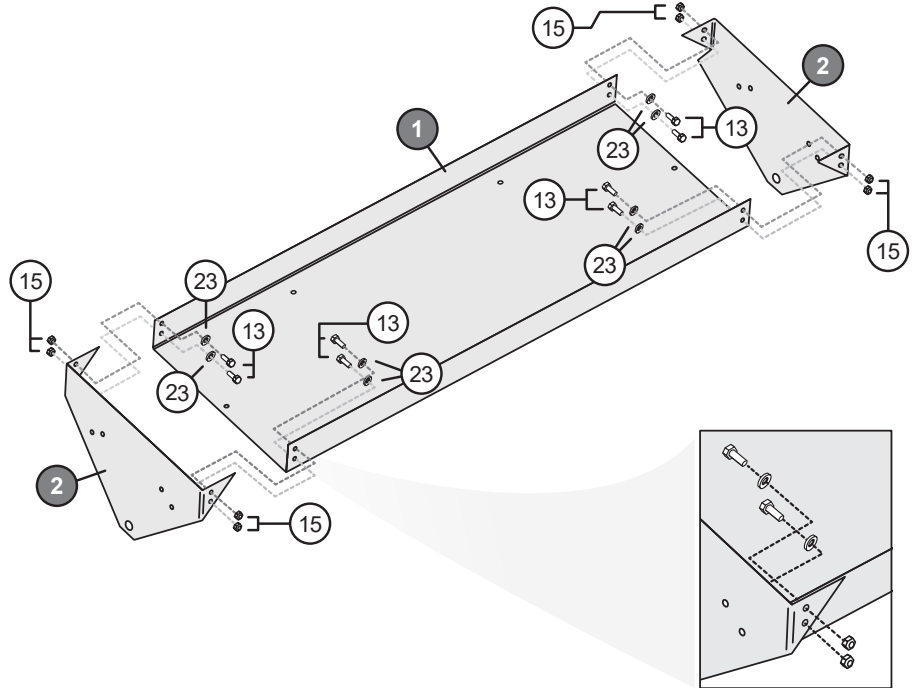
Align the Side Plates (2) with the Tray (1) as illustrated here.

Find this hardware:

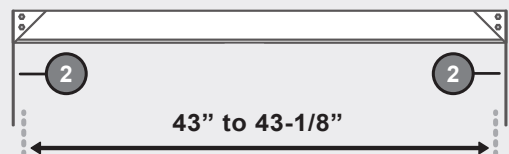
- x8 Hex Bolts, 5/16" x 3/4" (13)
- x8 Flat Washers, 5/16" (23)
- x8 Nylon Lock Nuts, 5/16" (15)

Add a flat washer (23) to each of the hex bolts (13). From the inside of the tray, insert the bolt and washer assembly.

Secure each bolt with a Nylon Lock Nut (15) on the outside edges of the tray and plates.



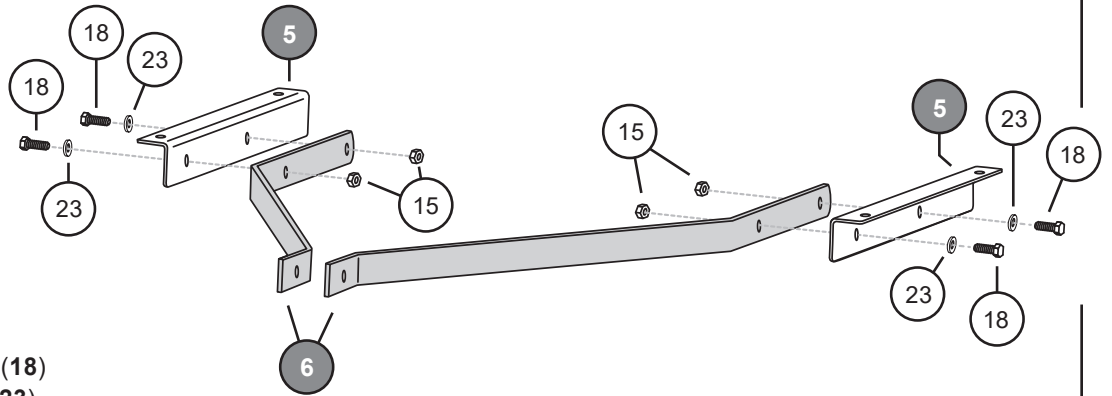
IMPORTANT - When tightening the bolts, maintain a specific distance of inside of the side plates (2): 43" to 43-1/8"



ASSEMBLY

Step 1-B

Align both of the Mounting Brackets (5) to the outside of the Tow Bars (6).



Find this hardware:

- x4 Hex Bolts, 5/16" x 1" (18)
- x4 Flat Washers, 5/16" (23)
- x4 Nylon Lock Nuts, 5/16" (15)

Add a flat washer (23) to each of the hex bolts (18). Next, insert the bolt and washer assembly from outside of the Mount Brackets (5) and through the Tow Bars (6).

Start to add Nylon Lock Nuts (15) to the end of each hex bolt, however, **DO NOT** tighten fully (yet).

Step 2



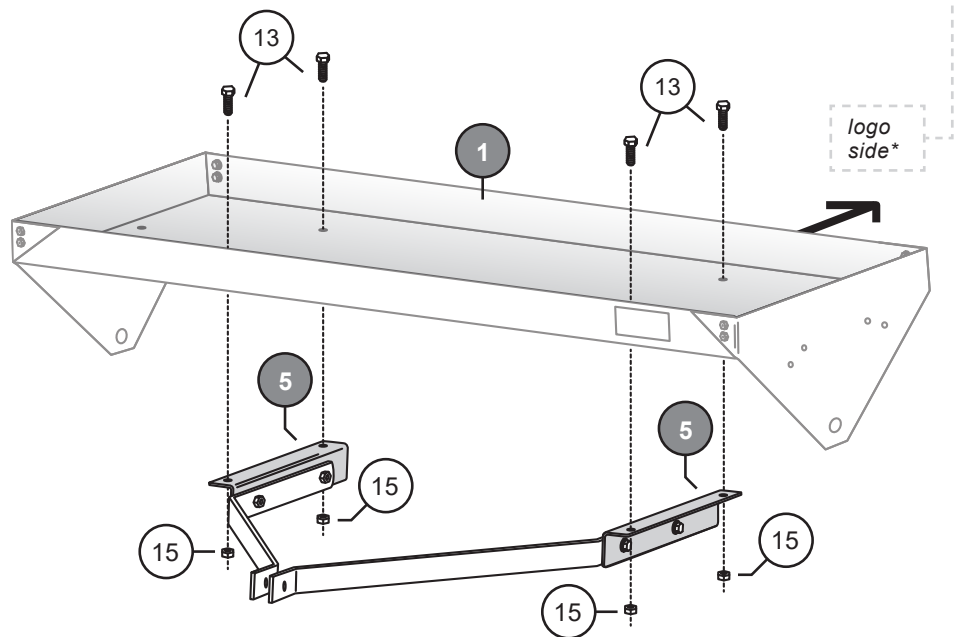
IMPORTANT: Side of the tray (1) with our Brinly logo faces out, away from the extended tow bar arms (6).

Assemble Mount Brackets (5) to Tray (1) as shown.

Find this hardware:

- x4 Hex Bolts
5/16" x 0.75" (13)
- x4 Nylon Lock Nuts
5/16" (15)

Insert the Bolts (13) from the topside of the Tray. Add Nylon Lock Nuts (15) to the bolts, **DO NOT** tighten fully (yet).



ASSEMBLY

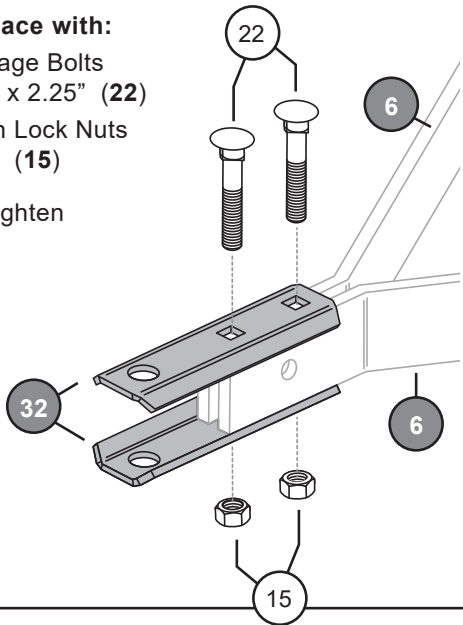
Step 3

A. Align the clevis (32) to the tow bars (6) as shown.

Hold in place with:

- x2 Carriage Bolts 5/16" x 2.25" (22)
- x2 Nylon Lock Nuts 5/16" (15)

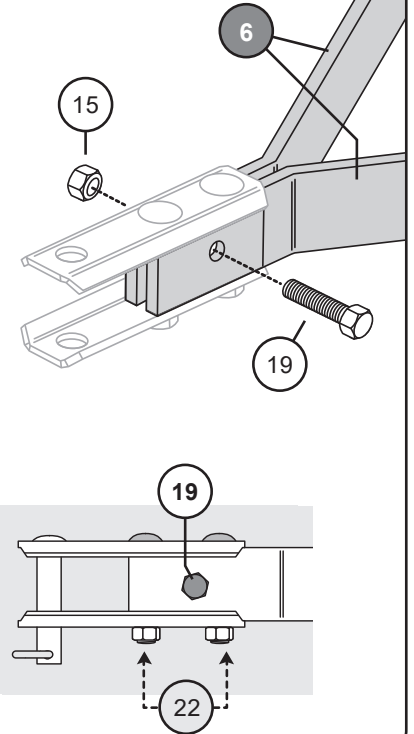
DO NOT tighten fully (yet).



B. Next, secure the tow bars (6) in place with:

- x1 Hex Head Bolt 5/16" x 1.25" (19)
- x1 Nylon Lock Nut 5/16" (15)

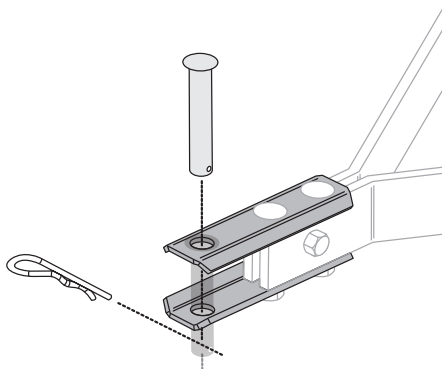
DO NOT tighten fully (yet).



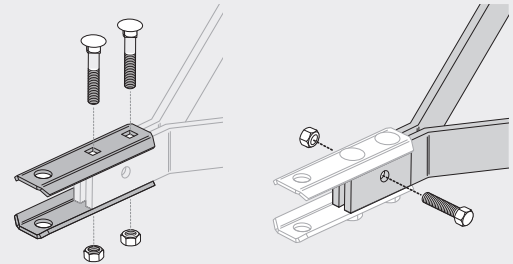
NOTE: Hex Bolt (19) goes between the two Carriage Bolts (22).

Step 4

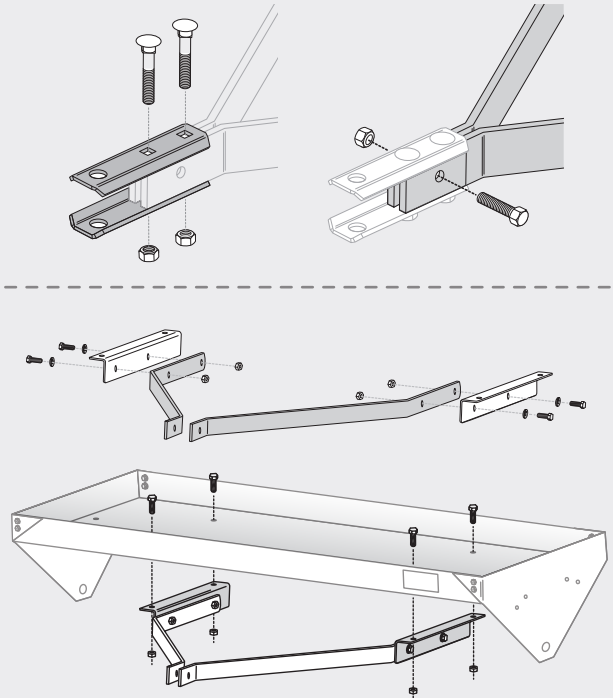
A. Insert Hitch Pin (29) in Clevis (32) and secure with Hairpin Cotter (28). Grasp Hitch Pin and pull forward.



B. Securely tighten all of the fasteners installed in Step 3.



C. Securely tighten the hardware installed on Steps 1-B and Step 2.



ASSEMBLY

Step 5

Find this hardware:

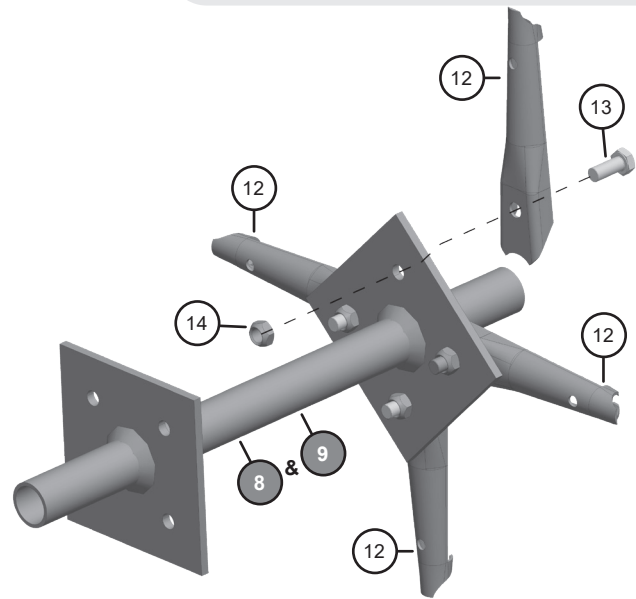
- x24 Hex Head Bolts (13) - 5/16 x 0.75"
- x24 Lock Nuts (14) - 5/16"

Align Plugging Spoons (12) to each welded plate (side opposite welds) of all the Tube Assemblies (8 and 9) as shown.

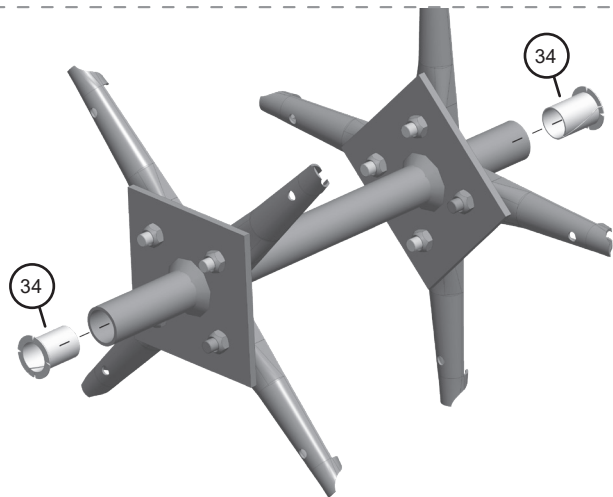
Run bolts through the Plugging Spoons and secure to each tube assembly (8 and 9) with Lock Nuts (14) as illustrated here.



IMPORTANT: *Rounded part of spoon fits against the tube to lock in place.*

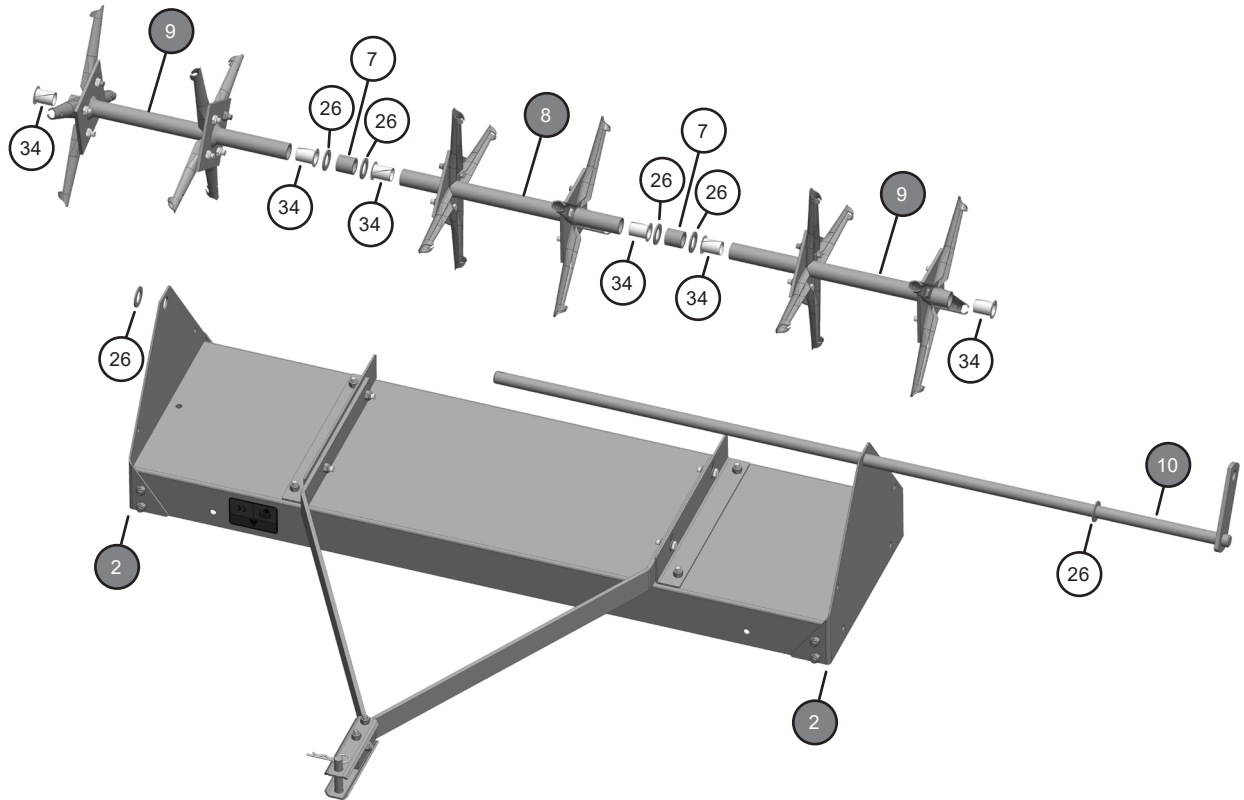


Now insert a Nylon Bearing (34) into both ends of all the tube assemblies (8 & 9).



ASSEMBLY

Step 6



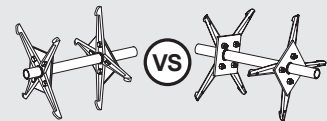
START WITH:

- ⑩ + ⑫ Add a **Machinery Bushing** to the Axle.
- ② Insert the Axle Assembly (10) through the right side plate as illustrated above.

CONTINUE ADDING TO THE AXLE IN THE FOLLOWING ORDER:

- ⑨ **End Tube Assembly** - Face short end toward the side plate (2).
- ⑫ **Machinery Bushing**
- ⑦ **Spacer**
- ⑫ **Machinery Bushing**
- ⑧ **Center Tube Assembly**
- ⑫ **Machinery Bushing**
- ⑦ **Spacer**
- ⑫ **Machinery Bushing**
- ⑨ **End Tube Assembly** - Face short end toward the side plate (2).
- ⑫ **NOTE:** One (or more) Machinery Bushings (26) can be added to the end of the axle, on the outside edge (as needed) to eliminate any side play in the axle assembly.

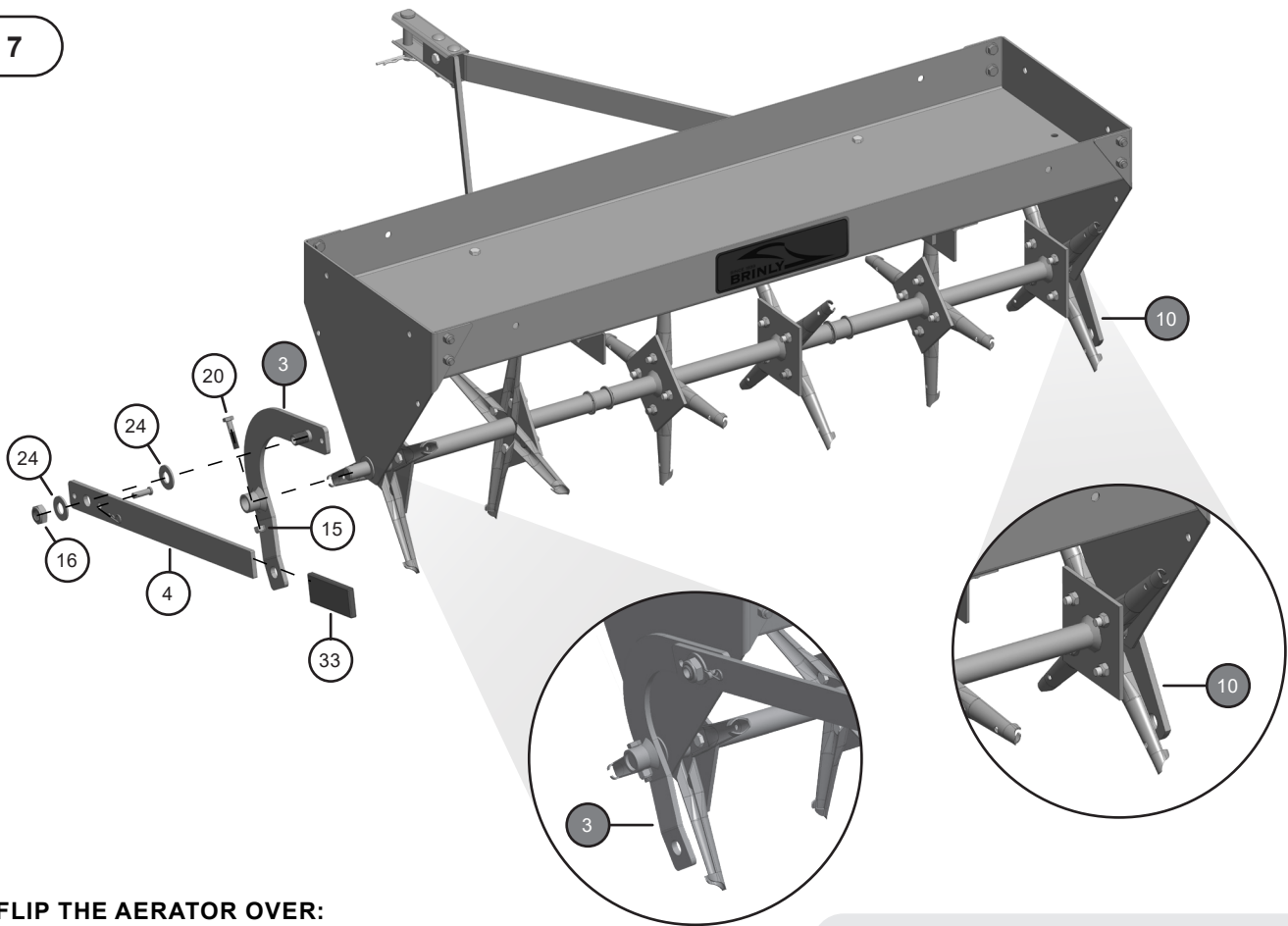
TIP: SPOTTING THE DIFFERENCES BETWEEN TUBES



- ⑨ **End Tube Assemblies**
THESE HAVE ONE SHORT END
Plate = 1-1/8" from the end of the tube. The short ends need to face out, closest to the side plates (2).
- ⑧ **Center Tube Assembly**
THE ENDS ARE IDENTICAL LENGTHS
Plates = 2-3/4" from both ends of the tubes.

ASSEMBLY

Step 7



FLIP THE AERATOR OVER:

- A.** Push the Axle Assembly (10) through the left side plate as far as possible and rotate so the hole in the flat plate faces to the rear as shown.

Find this hardware:

- x1 Hex Head Bolt (20) - 5/16" x 1.5"
- x1 Lock Nuts (15) - 5/16"

Install the Lift Handle Assembly (3) with the welded tube facing out, to the Axle Assembly (10). Secure with Hex Bolt (20) and Nylon Lock Nut (15).

- B.** Place Washer (24) on threaded portion of Lift Handle Weldment (3), then install Lift Handle (4). Secure with Washer (24) and Lock Nut (16).

Find this hardware:

- x1 Lock Nut (16) - 5/8"-18
- x2 Flat Washer (24) - 5/8"

- C.** Slip Handle Grip (33) over end of Lift Handle Assembly (4).

NOTE: Soapy water will help while adding the handle grip (33).

NOTE: Make sure the Axle Assembly Flat Plate (10) and Lift Handle Weldment (3) are pointing towards the rear as shown.

ASSEMBLY

Step 8

Combine:

- x1 Hex Bolt (21) - 5/8" x 4"
- x1 Flat Washer (24) - 5/8"

Slide the bolt assembly through one wheel (11) (wheel hub pointing toward the threads of the bolt) and add:

- x1 Flat Washer (24) - 5/8"
- x1 Hex Nut (17) - 5/8"

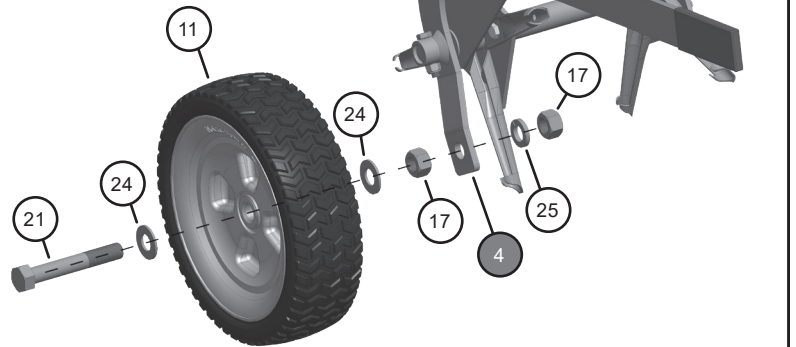
Thread the hex nut as far as possible, still allowing wheel to rotate freely.

Continue by running the hex bolt through holes in Lift Handle (4) (and Axle Assembly (10) on the other end of the Aerator).

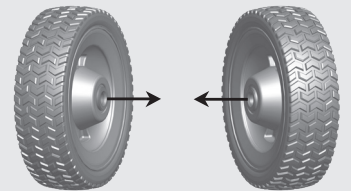
Secure with:

- x1 Lock Washer (25)
- x1 Hex Nut (17)

Tighten the inside Hex Nut while holding the Hex Nut next to wheel stationary.



IMPORTANT: The wheel hubs are offset to one side. Make sure the extended offsets are installed toward plug aerator.

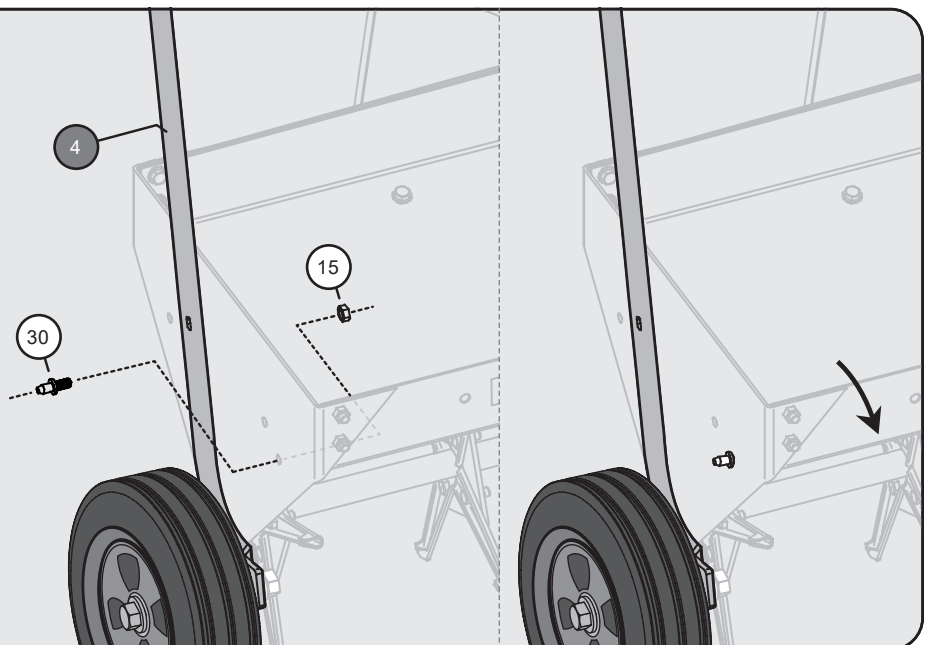


Step 9

Insert Transport Pin (30) in rear hole same side as the Lift Handle Assembly (4) as shown. Secure with Nylon Lock Nut (15).

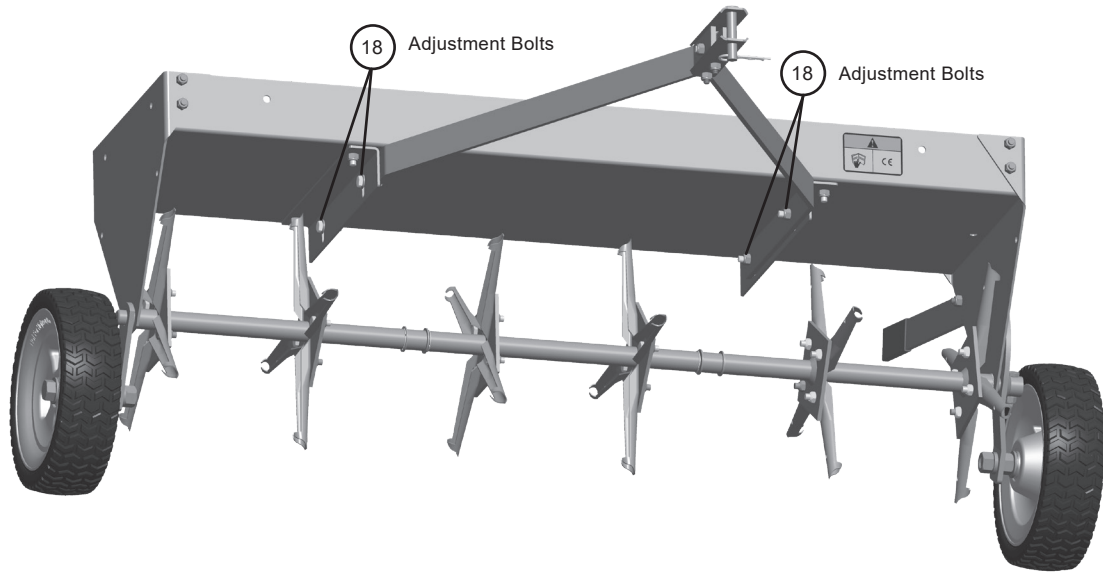
NOTE - Moving the wheels in and out of transport mode:

Lift handle assembly (4) will pivot and raise / lower the wheels. This transport pin (30) allows the handle to be locked in place during transport.



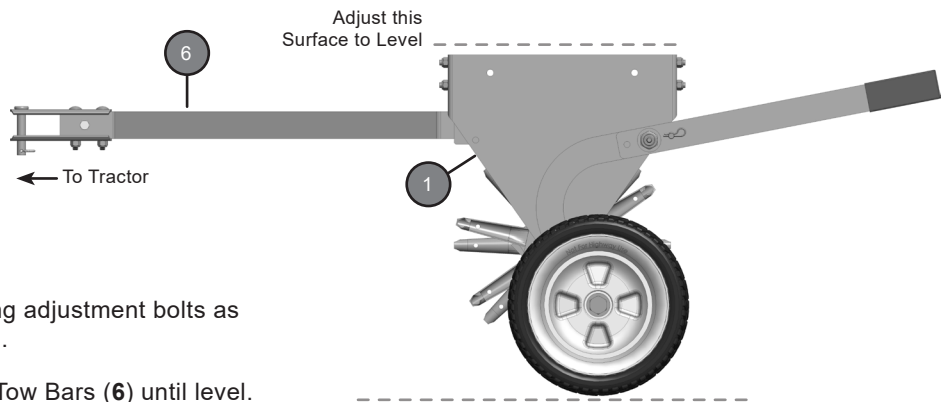
ASSEMBLY

Step 10



NOTE:

The adjustment is made with the aerator attached to the rider or lawn/garden tractor with the wheels in transport position.



LEVELING

The final step is to level Tray (1) using adjustment bolts as shown here and installed in Step 1-B.

To adjust, loosen Bolts and position Tow Bars (6) until level.



ASSEMBLY IS COMPLETE!

To find replacement parts, an index / breakdown of all the parts for this model can be found on pages 6-7.

Operation, Maintenance and Service information available on pages 16-18

USE AND CARE

OPERATION

WHEN TO AERATE

Your Aerator should **NOT** be used when lawn conditions are too wet or too dry.

TO DETERMINE LAWN CONDITION:

Dig a small amount of your soil (*about three inches deep*).
Roll it into a small ball in the palm of your hand.

Soil appears
powdery & brittle


Your soil is
TOO DRY

Wait until a later date
because the tines will
not penetrate properly.

Soil is not
powdery & brittle
but still falls apart



Your soil is in
**IDEAL
CONDITION**
to begin aerating!

Soil forms a ball



Your soil is
TOO WET

Wait until the soil has dried.
The tines will not operate
effectively & your tractor
could lose traction,
causing lawn damage.

INFO & VIDEOS

Additional info and videos are
available on our website:

www.brinly.com

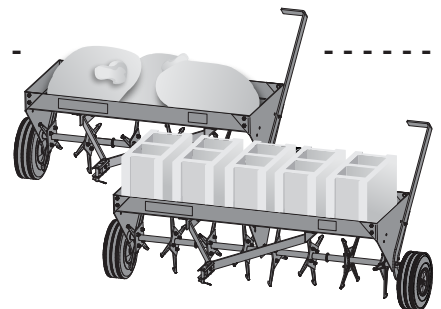
(OR scan the
QR codes below)

PA-42BH
PA-42BH-A



USE OF ADDITIONAL WEIGHT

The weight required to give a recommended penetration of approximately two to three inches will vary according to soil type and conditions. Concrete blocks, patio blocks, sand bags, or any other type of weight can be added to Aerator Tray as required. Weight can be secured by using tie downs through holes in Tray Flanges. Tie downs are not furnished with your unit. Usually three Concrete Blocks will be sufficient, but more or less weight may be required.



PA-42BH
PA-42BH-A

 **175 lb
WEIGHT
CAPACITY**

- Drive your tractor to location to be Aerated.
- Lower Aerator to Operating Position.
- Drive the Tractor FORWARD approximately ten feet & stop.
- Observe the operation- there should be a Plug hole approximately every ten to twelve inches and not more than three inches deep.
- Add or remove weight to obtain this condition.

USE AND CARE

OPERATION

MOUNTING AND TRANSPORTING

Attach aerator to your rider or lawn/garden tractor using pin and hairpin cotter (supplied).

TO PLACE IN TRANSPORT POSITION:

- Push REARWARD on Lift Handle (4) towards Transport Lock Pin in Side Plate.
Pull Handle OUT and move over the Lock Pin. Aerator now rests on wheels.

TO PLACE IN OPERATING POSITION:

- Pull OUT on Lift Handle (releasing from Transport Lock Pin) and move FORWARD. Aerator now rests on Plugging Spoons.

TO PLACE IN STORAGE POSITION:

- Place unit in transport position. Remove Hairpin (27) and Clevis Pin (31) before rotating Lift Handle (4) 180 degrees and reinsert pins (27 and 31). Unit can now be stored on its side.



CAUTION:

- After first thirty minutes of use check all fasteners for tightness.
- To avoid damage to spoons, always engage transport wheels to raise the spoons when crossing concrete or asphalt walks, drives, or roads.
- Use the Aerator only on an established lawn, never on newly laid sod.
- To avoid possible personal injury and/ or equipment never exceed the recommended operating speed range of 3 to 5 MPH.
- Only tow Aerator behind vehicles for which it was designed, riders and lawn/garden tractors.
- Do not stand/ride on Aerator, bodily injury could result.
- Always disconnect Aerator from tractor when cleaning or servicing unit.
- Never exceed the Weight Tray capacity.
- Do Not attempt to disconnect Aerator from tractor with weight in Tray.
- When backing, carefully back straight to avoid Jack-knifing, which could result in damage to equipment.

MAINTENANCE

SHARPENING GUIDE

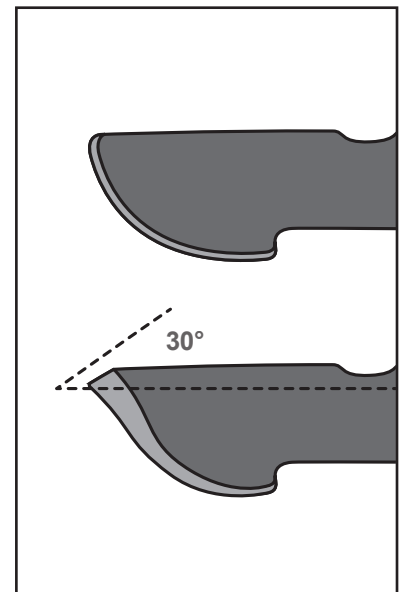
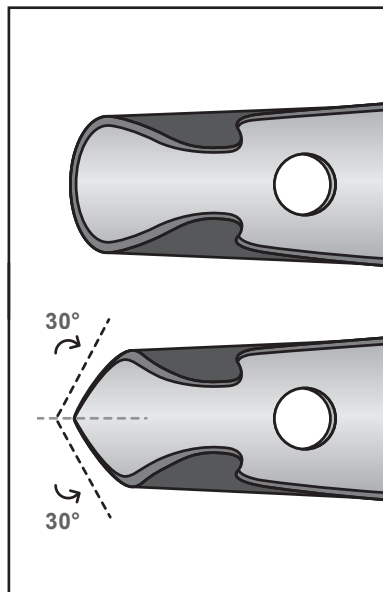
Sharpening the spoons may provide improved performance.

1. Using a metal file or grinding wheel, sharpen the outer edge of the end at a 30° angle for each spoon.

2. After sharpening all the spoons, spray paint the exposed metal to prevent rust.

NOTE: Use a rust-preventive spray paint on the exposed metal after sharpening all of the spoons.

3. Allow the paint to fully dry based on the paint's recommended drying time.



USE AND CARE

MAINTENANCE

- The key to years of trouble-free service is to keep your Aerator clean and dry.
- Never allow wet material to remain in tray for extended periods of time.
- Occasionally check all moving parts for free movement and, if necessary, lubricate with oil.
- Should rust develop, sand lightly & then paint area with enamel.
- Periodically check all fasteners for tightness.



IMPORTANT - Before every use:

APPLY A DROP OF LUBRICATING OIL TO EACH NYLON BEARING AND THE AERATOR AXLE

To prevent rust on plugging spoons, apply a light coat of oil on the working areas of spoons after each use. Should rust appear on any other part of your Aerator, sand lightly to remove rust and coat lightly with enamel.

Plugging spoons are manufactured with special steels and are heat treated to resist wear of abrasive soil. Striking sub-surface objects can cause spoon breakage. Contact our Customer Service Department at 1-877-728-8224 to purchase replacement Plugging Spoons (Part# B-4855-10).

Periodically check the spoons remove any debris which might build up and restrict their action.

After each use, service unit as described and store in a dry area, shielding tines to avoid injury.



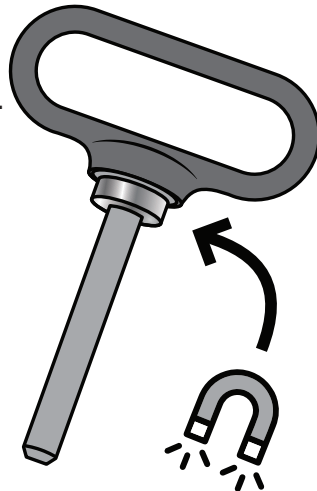
OPTIONAL ACCESSORY

MAGNETIC HITCH PIN

MHPK-12BH

This quick-connect magnetic hitch pin can replace a regular cotter pin for an extra-strong, convenient upgrade.

- Diameter: 1/2"
- Pin Length: 3"



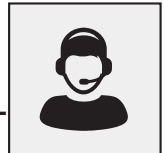
NOTE: *Additional accessories are also available in our Parts Store online: shop.brinly.com*

SERVICE

QUALITY CONTINUES WITH QUALITY SERVICE

We provide a process to remedy your questions or problems. Follow the steps below to get answers to any questions you may have about your product, or to order replacement parts:

1. Refer to your attachment and machine operator manuals.
2. In North America and Canada, call 1-877-728-8224 and provide product serial number and model number.





MANUFACTURER'S LIMITED WARRANTY
AERATORS

The limited warranty set forth below is given by Brinly-Hardy Company with respect to new merchandise purchased and used in the United States (its possessions and territories) and Canada.

Brinly-Hardy Company warrants the products listed below against defects in material and workmanship, and will at its option, repair or replace, free of charge, any part found to be defective in materials or workmanship. This limited warranty shall only apply if this product has been assembled, operated, and maintained in accordance with the Operator's manual furnished with the product, and has not been subject to misuse, abuse, commercial use, neglect, accident, improper maintenance, alteration, vandalism, theft, fire, water, or damage because of other peril or natural disaster.

Parts found to be defective within the warranty period will be replaced at our expense. Our obligation under this warranty is expressly limited to the replacement or repair, at our option, of parts found to be defective in material and workmanship.

HOW TO OBTAIN SERVICE: Warranty parts replacements are available, only with proof of purchase, through our Customer Service Department. Call 877-728-8224.

This limited warranty does not provide coverage in the following cases:

- a. Routine maintenance items such as lubricants & filters.
- b. Normal deterioration of exterior finish due to use or exposure.
- c. Transportation and/or labor charges.
- d. The warranty does not include commercial and/or rental use.

No implied warranty, including any implied warranty of merchantability of fitness for a particular purpose, applies after the applicable period of express written warranty above as to the part as identified below. No other express warranty whether written or oral, except as mentioned above, given by any person or entity, including a dealer or retailer, with respect to any product, shall bind Brinly-Hardy Co. During the period of the warranty, the exclusive remedy is repair or replacement of the product as set forth above.

The provisions as set forth in this warranty provide the sole and exclusive remedy arising from the sale. Brinly-Hardy Co. shall not be liable for incidental or consequential loss or damage including, without limitation, expenses incurred for substitute or replacement lawn care services or for rental expenses to temporarily replace a warranted product.

Some states do not allow the exclusion or limitation of incidental or consequential damages, or limitations on how long an implied warranty lasts, so the above exclusions or limitations may not apply to you.

During the warranty period, the exclusive remedy is replacement of the part. In no event shall recovery of any kind be greater than the amount of the purchase price of the product sold. Alteration of safety features of the product shall void this warranty. You assume the risk and liability for loss, damage, or injury to you and your property and/or to others and their property arising out of the misuse or inability

to use this product. **NOTE:** *This limited warranty shall not extend to anyone other than the original purchaser or to the person for whom it was purchased as a gift.*

This limited warranty lasts as long you own your product purchased from an authorized seller. **Coverage terminates once you sell or otherwise transfer the product.**

This limited warranty does not cover any purchaser other than the original purchaser of the product, nor does it cover any product purchased from an unauthorized third-party. If you are not the original purchaser of this product, your product is not covered by our limited warranty and you take the product "AS IS" and "with all faults."

We may require proof of purchase from you demonstrating that you are the original purchaser of the product, purchased the product from an authorized dealer, and are eligible to make a valid claim under this limited warranty.

How state law relates to this warranty: This limited warranty gives you specific legal rights, and you may also have other rights which vary from state to state.

IMPORTANT:

The Warranty period stated below begins with the proof of purchase. Without the proof of purchase, the Warranty period begins from the date of manufacture determined by the serial number manufacturing date. All parts replaced under warranty will be considered as part of the original product, and any warranty on the replaced parts will expire coincident with the original product warranty.

WARRANTY PERIOD:

See applicable parts listed below.

Standard / Residential Use:

Steel Frame & Steel Parts	2 years
Stars & Plugs	90 days
Tires / Wheels	90 days
Drive: Chain & Sprocket	90 days

All other normal wear parts or component failures will be covered on this product for a period of 90 days.

If this equipment is being used in a commercial application and / or for multiple properties, the warranty is 90 days after purchase for all parts.