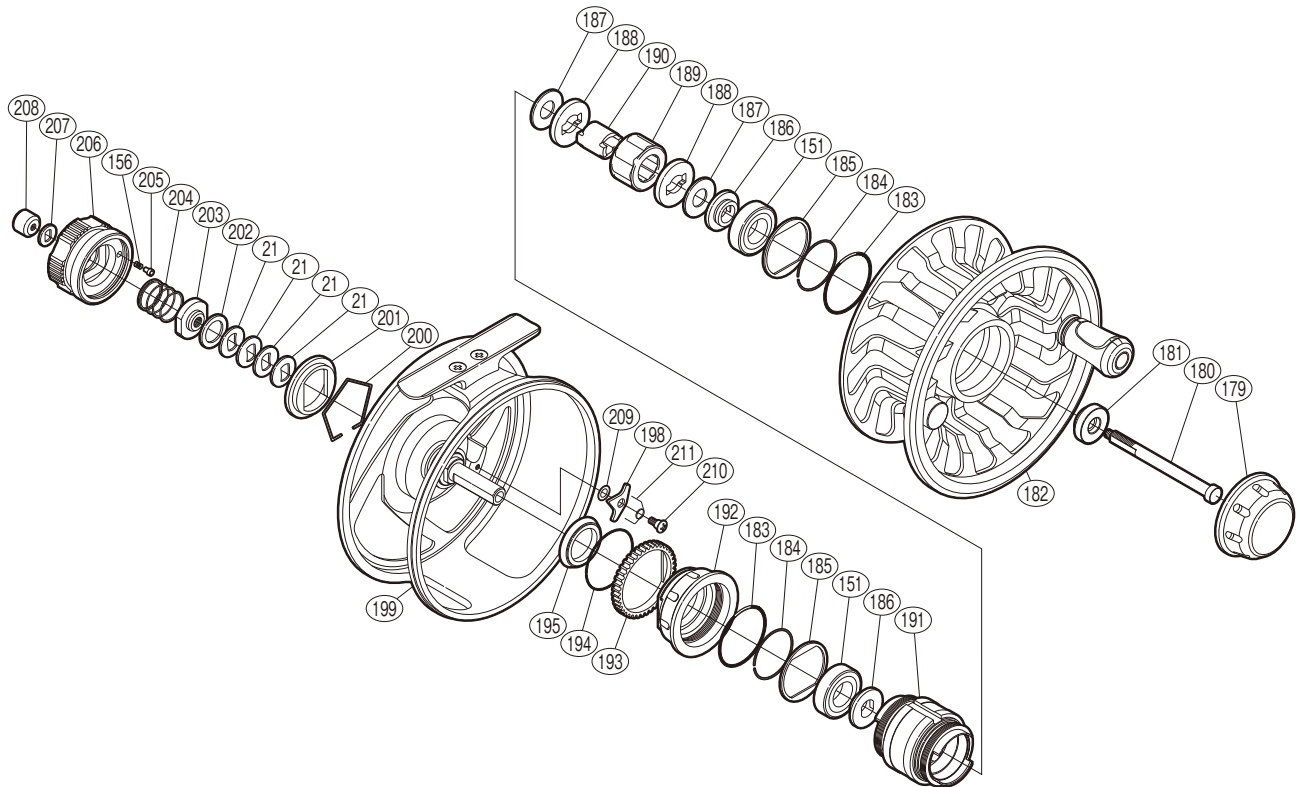


SHIMANO

Asquith

ASQ-78



(51RI280078X)

#	Part No.	Description	#	Part No.	Description	#	Part No.	Description
21	10EW3	Coned Disc Spring	188	10R25	Key Washer B	202	10J1N	Star Drag Spacer
151	104PW	Ball Bearing	189	10F5D	Roller Clutch Bearing	203	10R1T	Drag Knob Nut
156	10BT2	Click Spring	190	10R07	Roller Clutch Inner Tube	204	10A70	Star Drag Spring
179	10R1C	Spool Cap A	191	10R42	Spool Holder	205	10MFC	Click Pin
180	10R3J	Drag Shaft	192	10R1E	Spool Cap B	206	10R3F	Drag Knob
181	10R08	Drag Shaft Bushing	193	10R1V	Click Gear	207	10R0X	Drag Shaft Key Washer
182	10DP5	Spool Assembly	194	10R1X	Click Gear Retainer	208	10R0Y	Drag Shaft Nut
183	10R18	O Ring	195	10R0W	Back Plate Seal	209	10K9C	Washer
184	10R1A	Spool Holder Retainer Spring	198	1038D	Drag Click	210	10A6F	Screw
185	10R19	Spool Holder Retainer	199	10DLT	Frame	211	10SGB	Drag Click Spring
186	10R1Z	Key Washer A	200	10R3G	Click Plate Retainer			
187	10R16	Drag Washer	201	10R04	Click Plate			

Please note that the number of adjusting washers may not be the same as shown in the exploded views.
(Adjustment will vary with each individual product.)

(241029)_006