






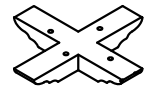



ASSEMBLY INSTRUCTION

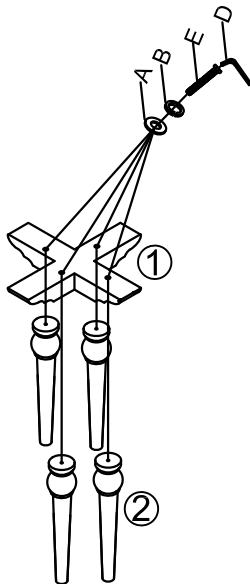
ITEM: 6025-75213B-85 Del Mondo Round Dining Table Base
 6025-75213T-83 Del Mondo 60in Round Dining Table Top

Thank you for purchasing this quality product. Be sure to unpack carefully looking for small parts which may have come loose during shipment. Read all instruction and study the drawing carefully before starting the assembly process.

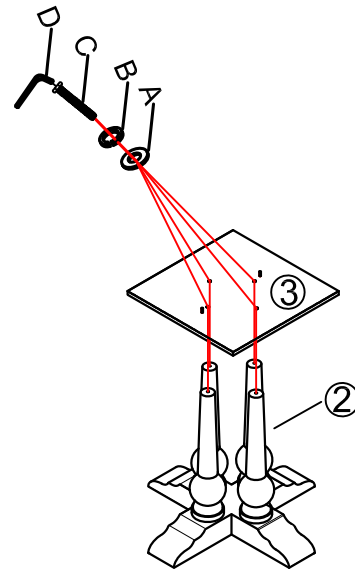
HARDWARE PACK

NO.	DRAWING	DESCRIPTION	SIZE	Q'TY
A		Flat Washer	Ø5/16"	12PCS
B		Lock Washer	Ø5/16"	12PCS
C		Bolt	5/16*35mm	8PCS
D		Allen Wrench	73*29*5mm	1PC
E		Bolt	Ø5/16**100mm	4PCS

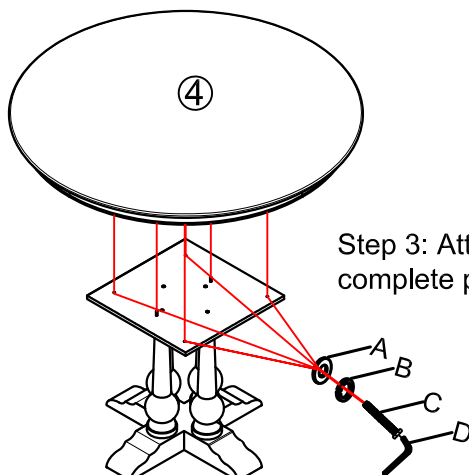
PART LIST			
NO.	DRAWING	DESCRIPTION	Q'TY
1		Base	1PC
2		Post	4PCS
3		Mounting Bridge	1PC
4		Top Panel	1PC



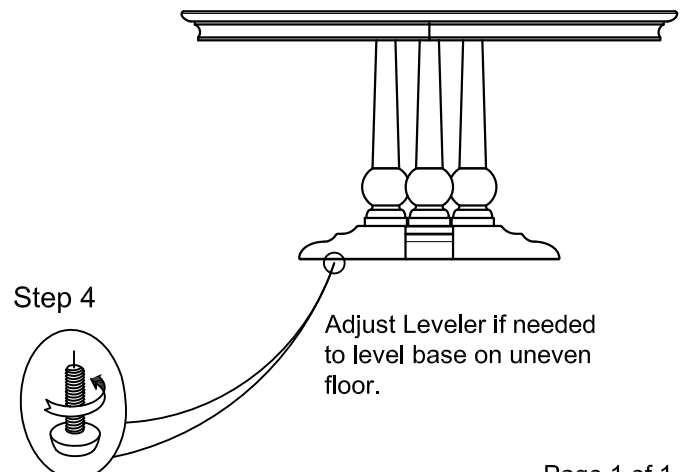
Step 1: Attach posts (2) to base (1).



Step 2: Attach mounting bridge (3) to posts (2).



Step 3: Attach top panel (4) to complete pedestal.



Step 4

Adjust Leveler if needed to level base on uneven floor.