

ASSEMBLY INSTRUCTION












ITEM: 6750-50003-34 Demilune Accent Table
6750-50003-40 Demilune Accent Table

Thank you for purchasing this quality product. Be sure to unpack carefully looking for small parts which may have come loose during shipment.

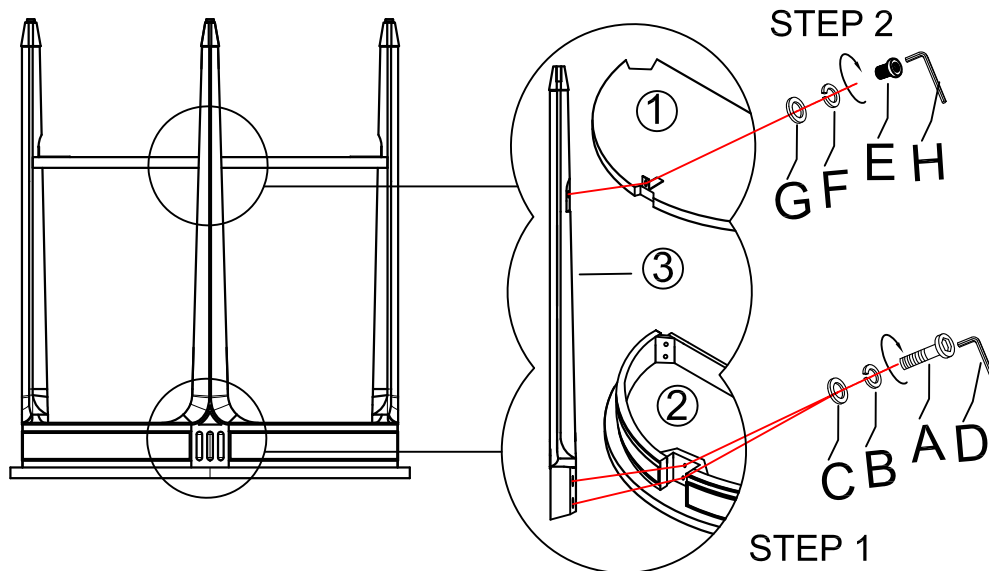
Read all instruction and study the drawing carefully before starting the assembly process.

HARDWARE PACK

PART LIST

NO.	DRAWING	DESCRIPTION	SIZE	Q'TY	NO.	DRAWING	DESCRIPTION	Q'TY
A		Bolt	$\frac{5}{16}$ "*45mm	6PCS	①		Shelf	1PC
B		Lock Washer	$\frac{5}{16}$ "	6PCS	②		Top	1PC
C		Flat Washer	$\frac{5}{16}$ "	6PCS	③		Leg	3PCS
D		Allen Wrench	73*29*5mm	1PC				
E		Bolt	$\frac{1}{4}$ "*19mm	3PCS				
F		Lock Washer	$\frac{1}{4}$ "	3PCS				
G		Flat Washer	$\frac{1}{4}$ "	3PCS				
H		Allen Wrench	69*27.2*4mm	1PC				

*Note: Please follow numbers on legs and corner blocks during assembly.



Step 1: Attach legs (3) to top (2) by using flat washers (C), lock washers (B) and bolts (A), do not fully tighten bolts (A) at this step.

Step2 : Attach shelf (1) to legs (3) with flat washers (G), lock washers (F) and bolts (E), and fully tighten bolts (A & E).

ASSEMBLY INSTRUCTION












ITEM: 6750-50003-34 Demilune Accent Table
6750-50003-40 Demilune Accent Table

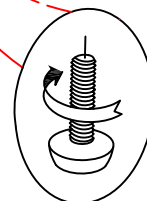
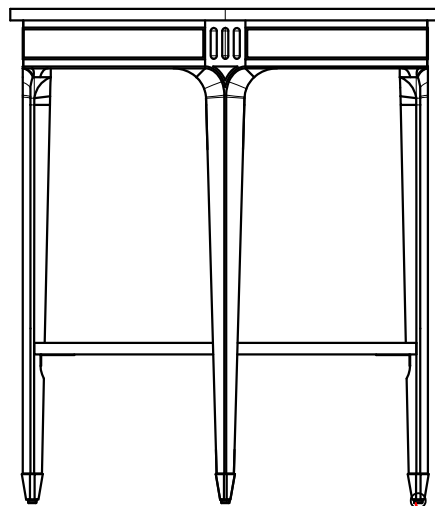
Thank you for purchasing this quality product. Be sure to unpack carefully looking for small parts which may have come loose during shipment.

Read all instruction and study the drawing carefully before starting the assembly process.

HARDWARE PACK

PART LIST

NO.	DRAWING	DESCRIPTION	SIZE	Q'TY	NO.	DRAWING	DESCRIPTION	
A		Bolt	$\frac{5}{16}$ "*45mm	6PCS	①		Shelf	
B		Lock Washer	$\frac{5}{16}$ "	6PCS	②		Top	
C		Flat Washer	$\frac{5}{16}$ "	6PCS	③		Leg	
D		Allen Wrench	73*29*5mm	1PC				
E		Bolt	$\frac{1}{4}$ "*19mm	3PCS				
F		Lock Washer	$\frac{1}{4}$ "	3PCS				
G		Flat Washer	$\frac{1}{4}$ "	3PCS				
H		Allen Wrench	69*27.2*4mm	1PC				



Adjust Leveler if needed to level case on uneven floor.

STEP 3