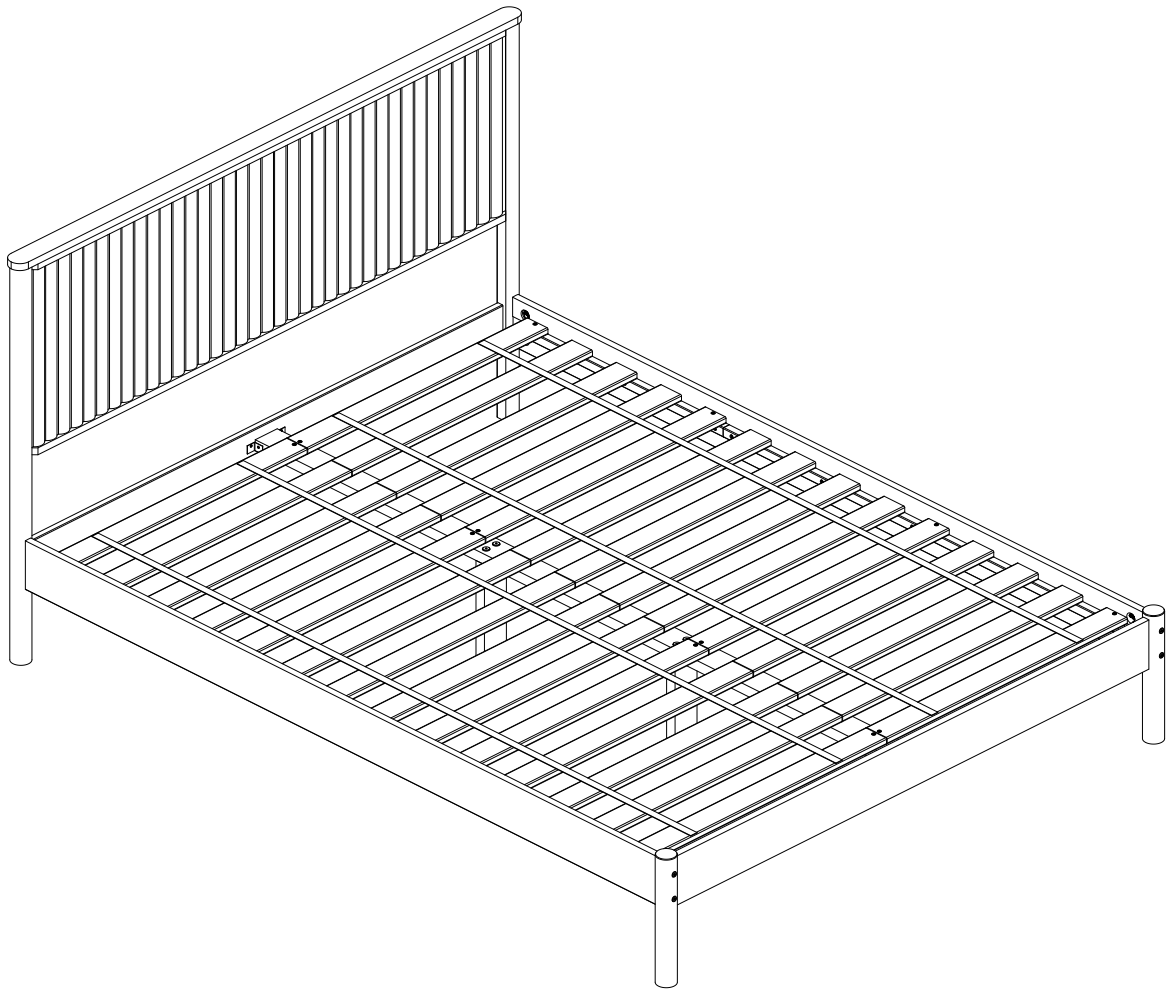


Item: ORLB5C

Assembly Instructions

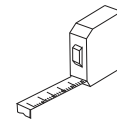
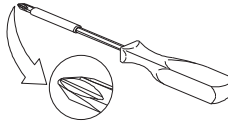
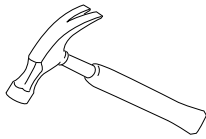


Please visit our website for the most current instructions, assembly tips, to report damage or request parts. www.walkeredison.com

Revised 11/23-V1

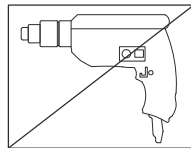
General Assembly Guidelines

- I. Ensure that all parts and hardware are available before beginning assembly.
- II. Follow each step carefully to ensure the proper assembly of this product.
- III. Two people are recommended for ease in the assembly of this product.
- IV. The three main types of hardware used to assemble this product are : wood dowels , screws and bolts.
- V. A hammer, a Phillips head screwdriver and a tape measure are required for the assembly of this product.

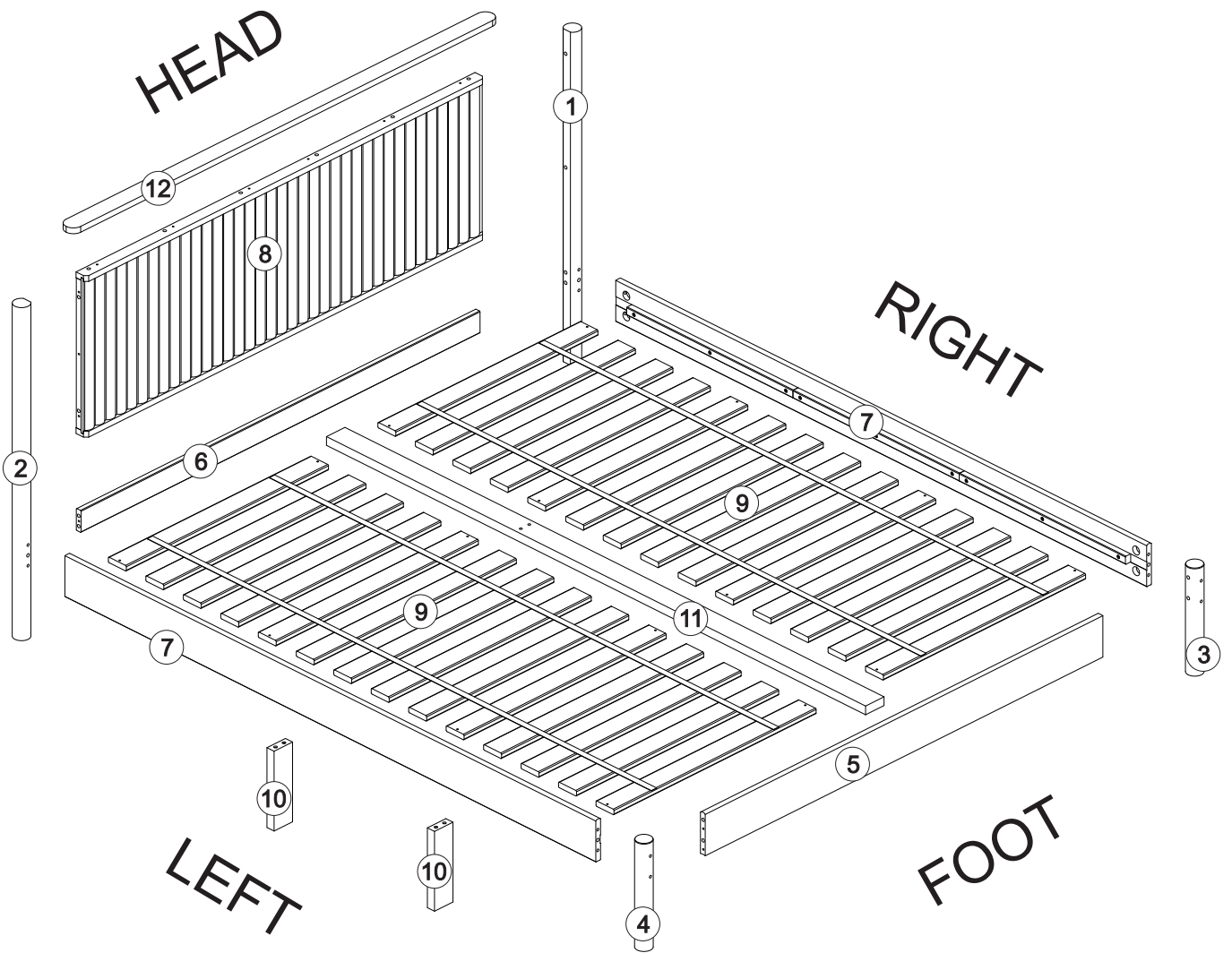


Tape measure

- VI. Power tools should not be used to assemble this product .



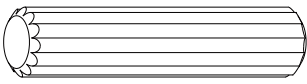
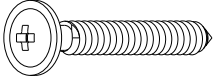
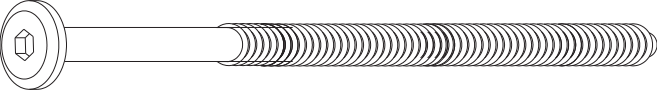

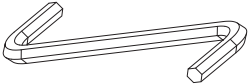
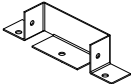
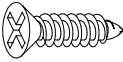

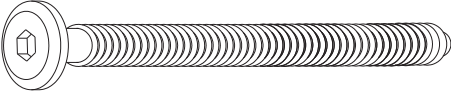
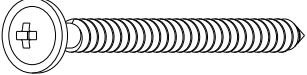
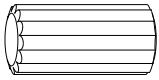
Parts List

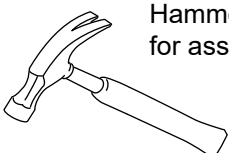


Part #	Description	Qty
1	Headboard Right Leg	01 pc
2	Headboard Left Leg	01 pc
3	Footboard Right Leg	01 pc
4	Footboard Left Leg	01 pc
5	Footboard Rail	01 pc
6	Headboard Rail	01 pc
7	Bed Side Rail	02 pcs
8	Headboard Panel	01 pc
9	Slats set	02 pcs

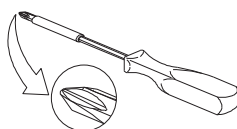
Part #	Description	Qty
10	Center Foot	02 pcs
11	Center Slat	01 pc
12	Upper Rail	01 pc

Hardware List

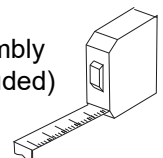
A		ø10*40mm	Dowel	16 pcs
B		ø4.0*30mm	Screw	21 pcs
C			ø1/4"*90mm Bolt	08 pcs
D			Nut	08 pcs
E			Hex key	01 pc
F			Support	02 pcs
G		ø3,5*16mm	Screw	10 pcs
H			Plastic Foot	02 pcs
I		ø7,0*60mm	Screw	04 pcs
J		ø4,0*40mm	Screw	12 pcs
K		ø10*20mm	Dowel	05 pcs



Hammer recommended
for assembly (not included)



Phillips head screwdriver required
for assembly (not included)

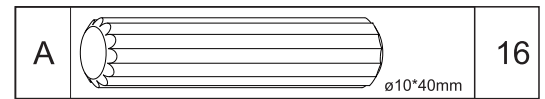
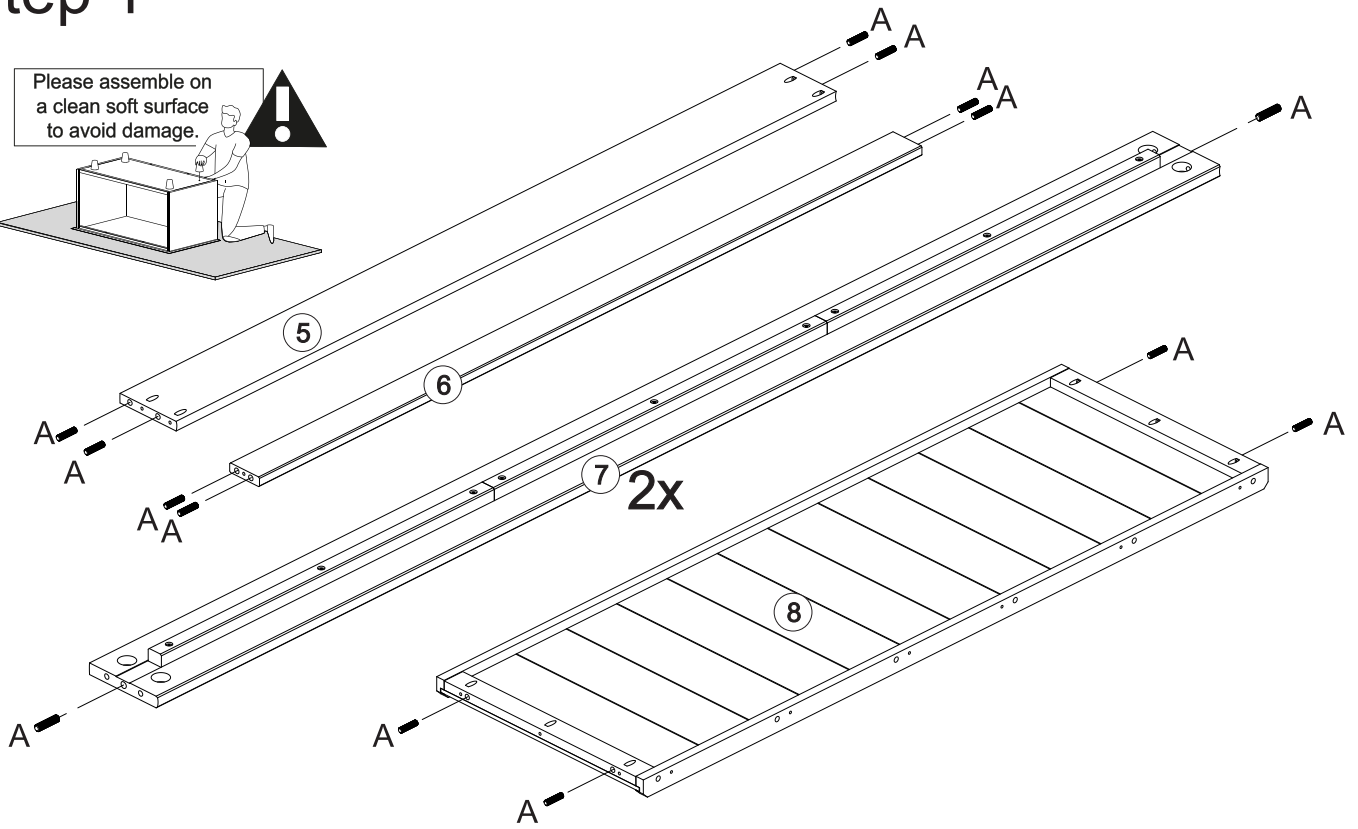


Tape measure
required
for assembly
(not included)

*The hardware quantities listed above are required for proper assembly.
Some extra hardware may also have been included.*

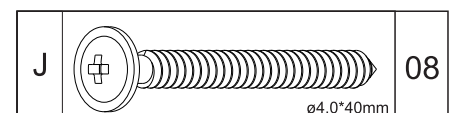
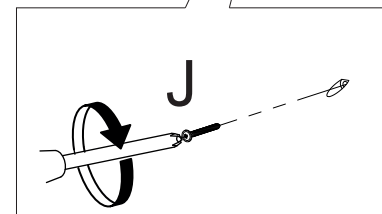
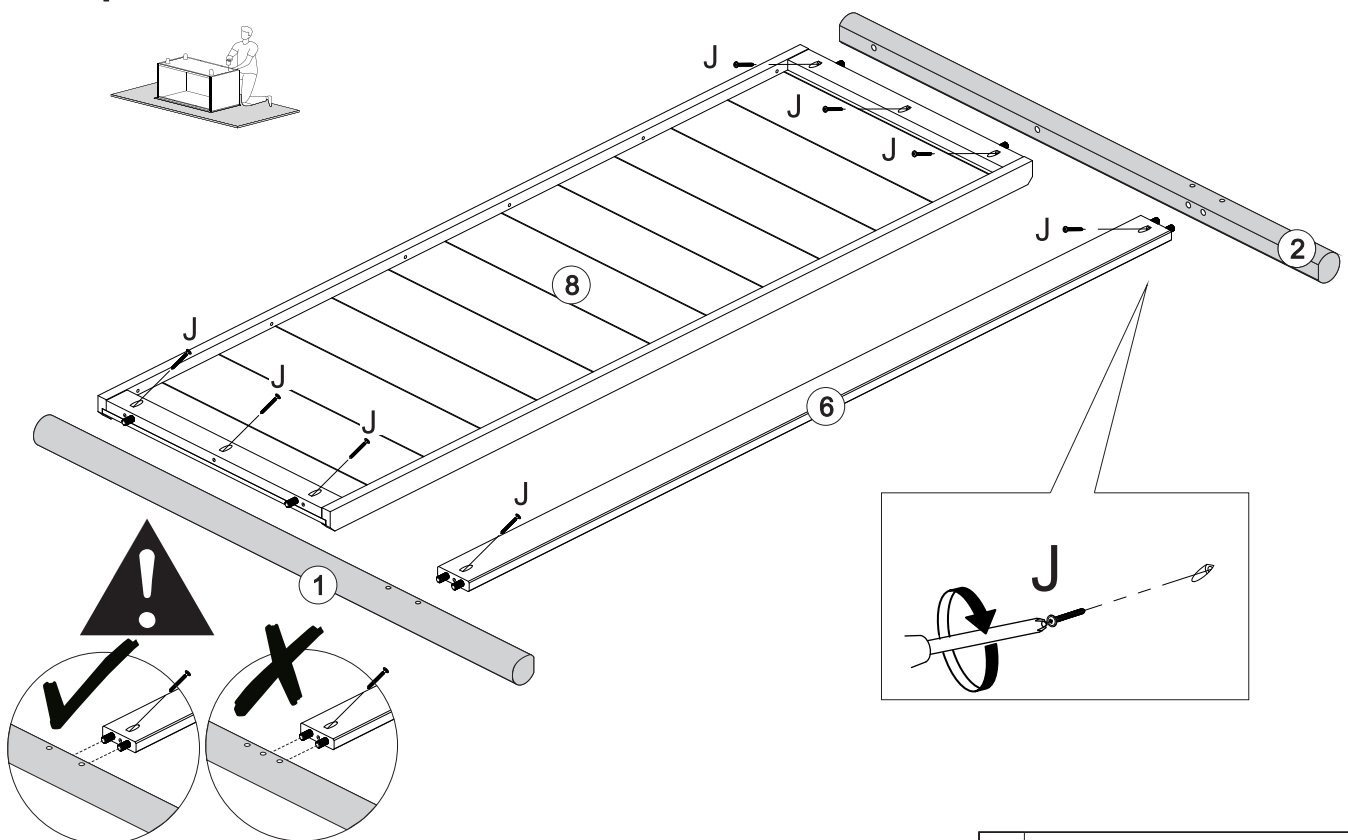
Step 1

Please assemble on a clean soft surface to avoid damage.



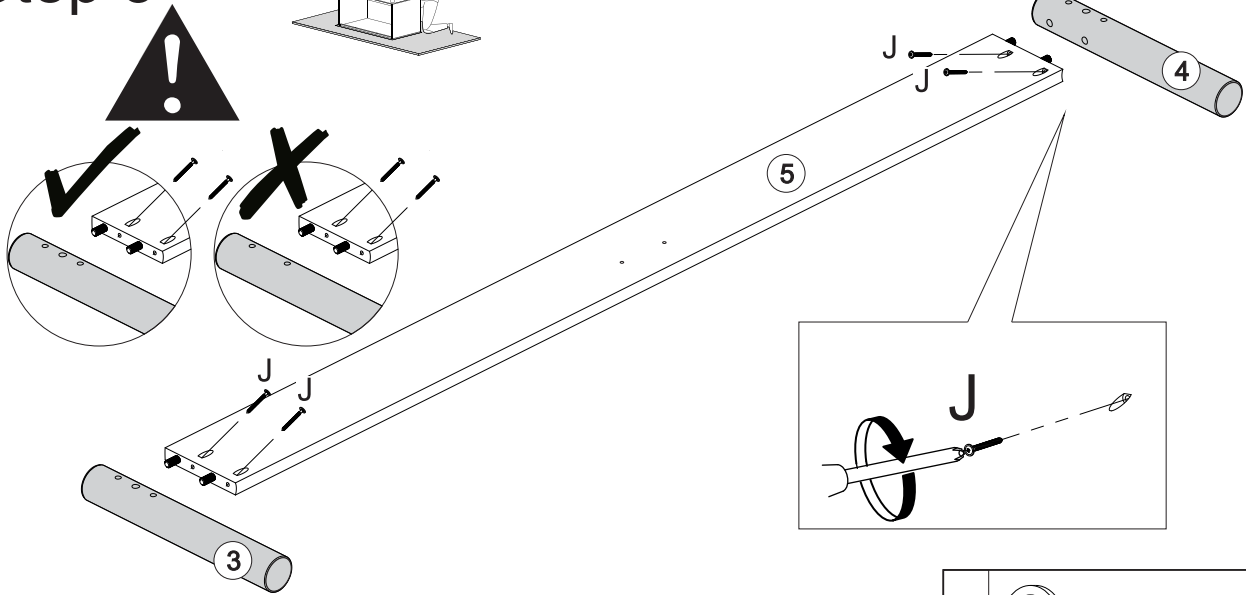
Insert the dowel (A) into parts 5,6,7 and 8

Step 2

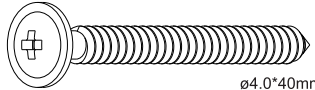


Attach parts 1 and 2 to parts 6 and 8 using screw (J), with Phillips head screwdriver.

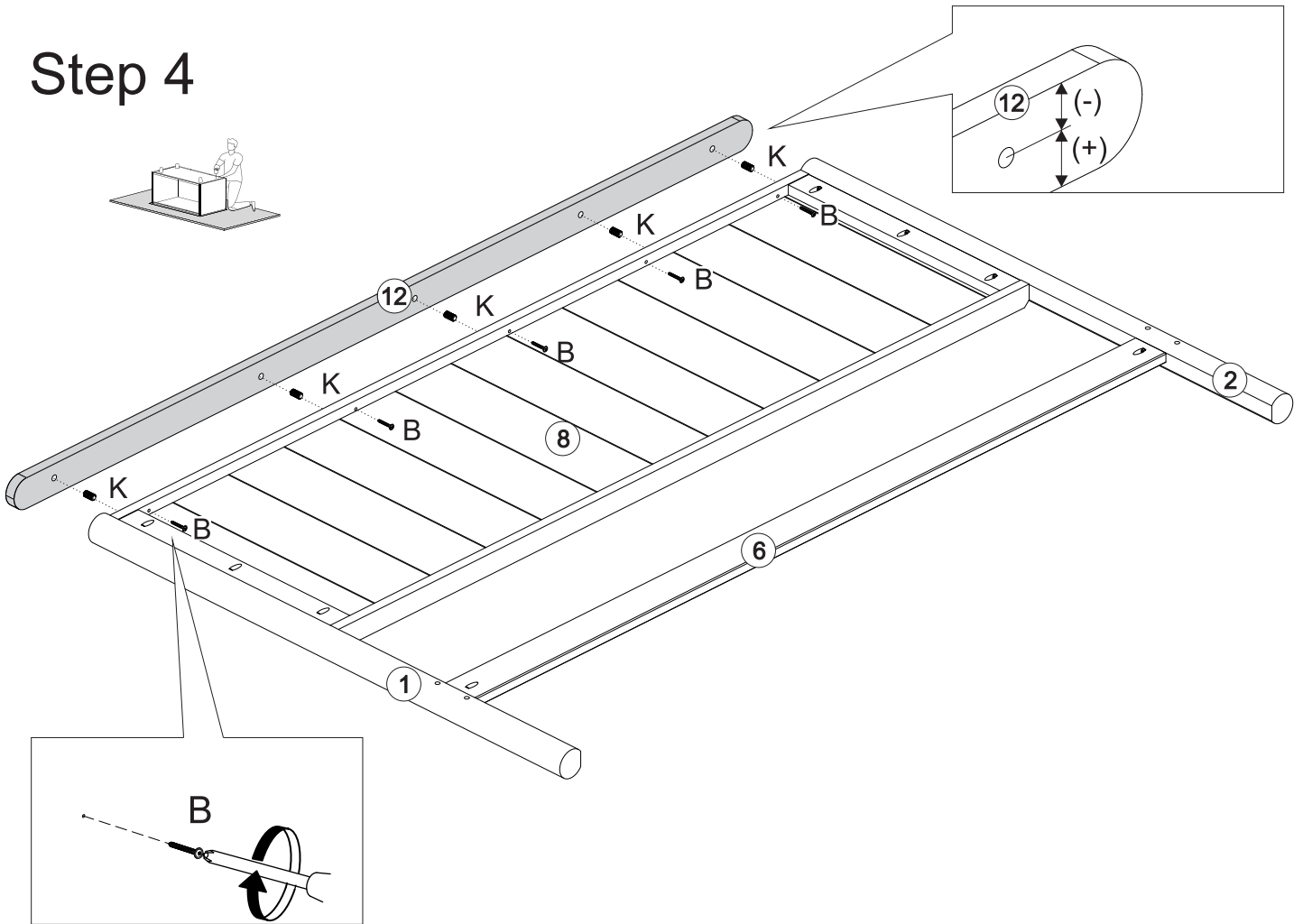
Step 3



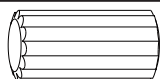
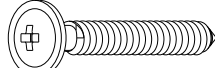
Attach parts 3 and 4 to part 5 using screw (J), with Phillips head screwdriver.

J		04
		ø4.0*40mm

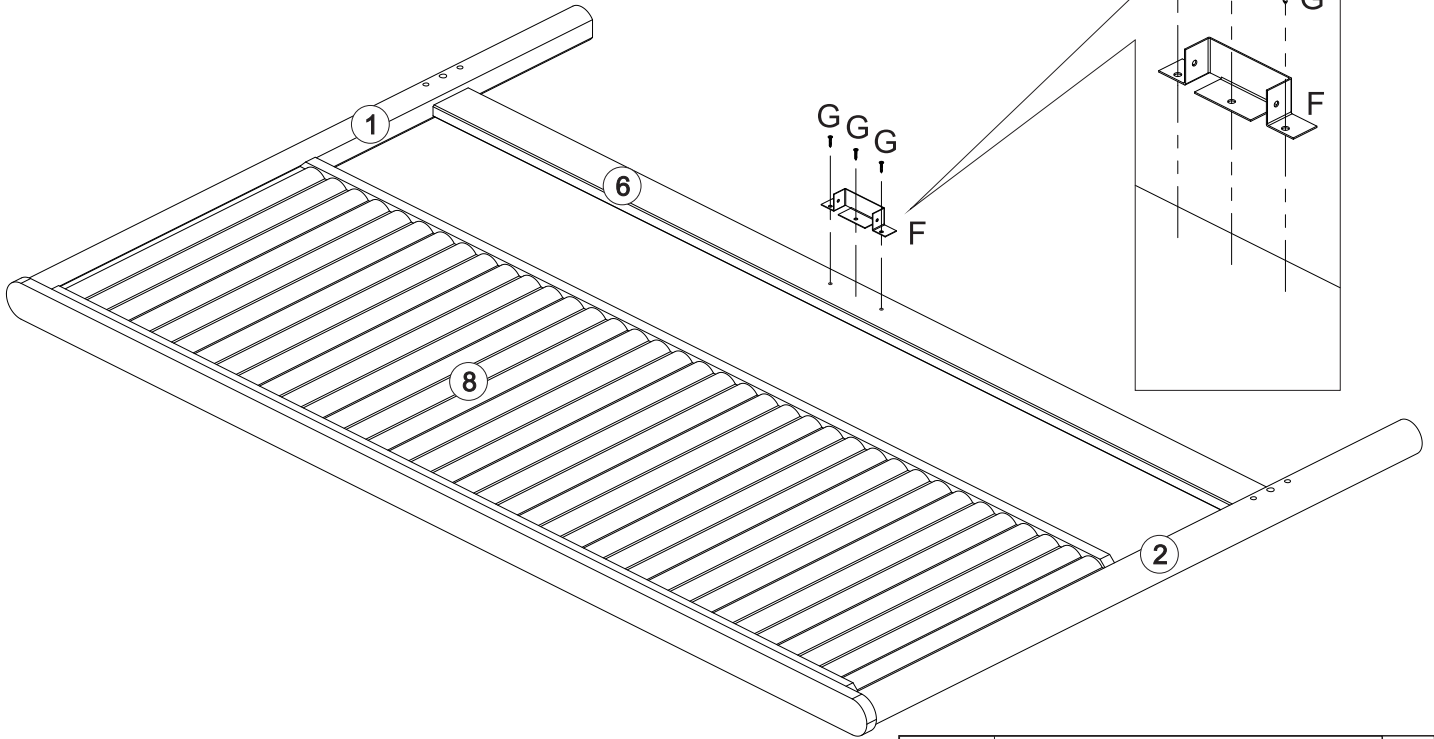
Step 4



Attach part 12 to part 8 using dowel (K),
Fix part 12 to part 8 using screw (B),
with Phillips head screwdriver.

K		05
B		05
		ø4.0*30mm

Step 5

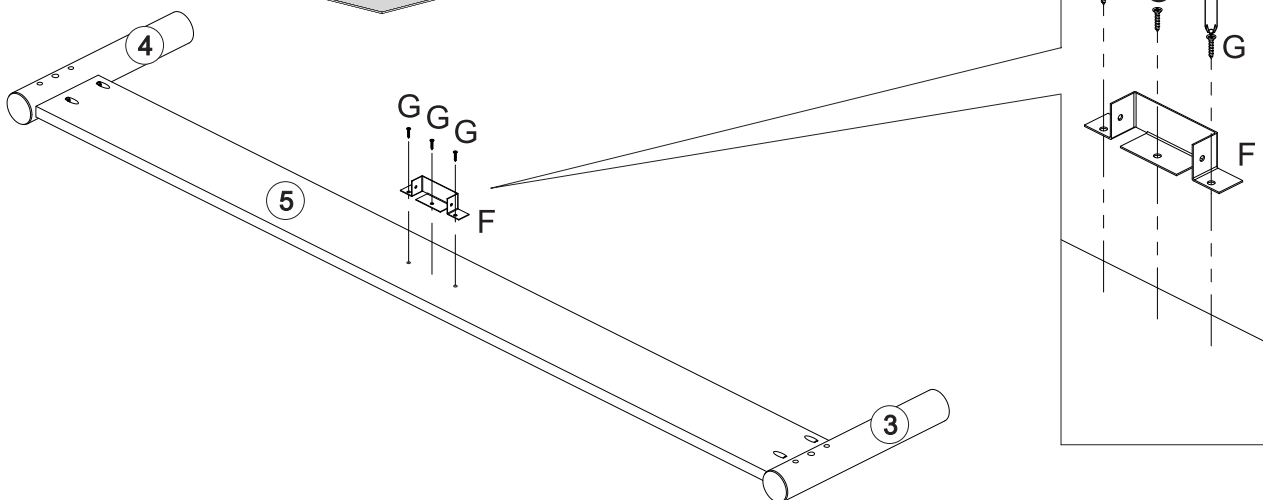
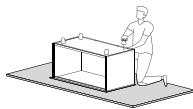


F		01
G		03

ø3,5*16mm

Apply support (F) on part 6 and fix with screw (G), using the Phillips head screwdriver.

Step 6

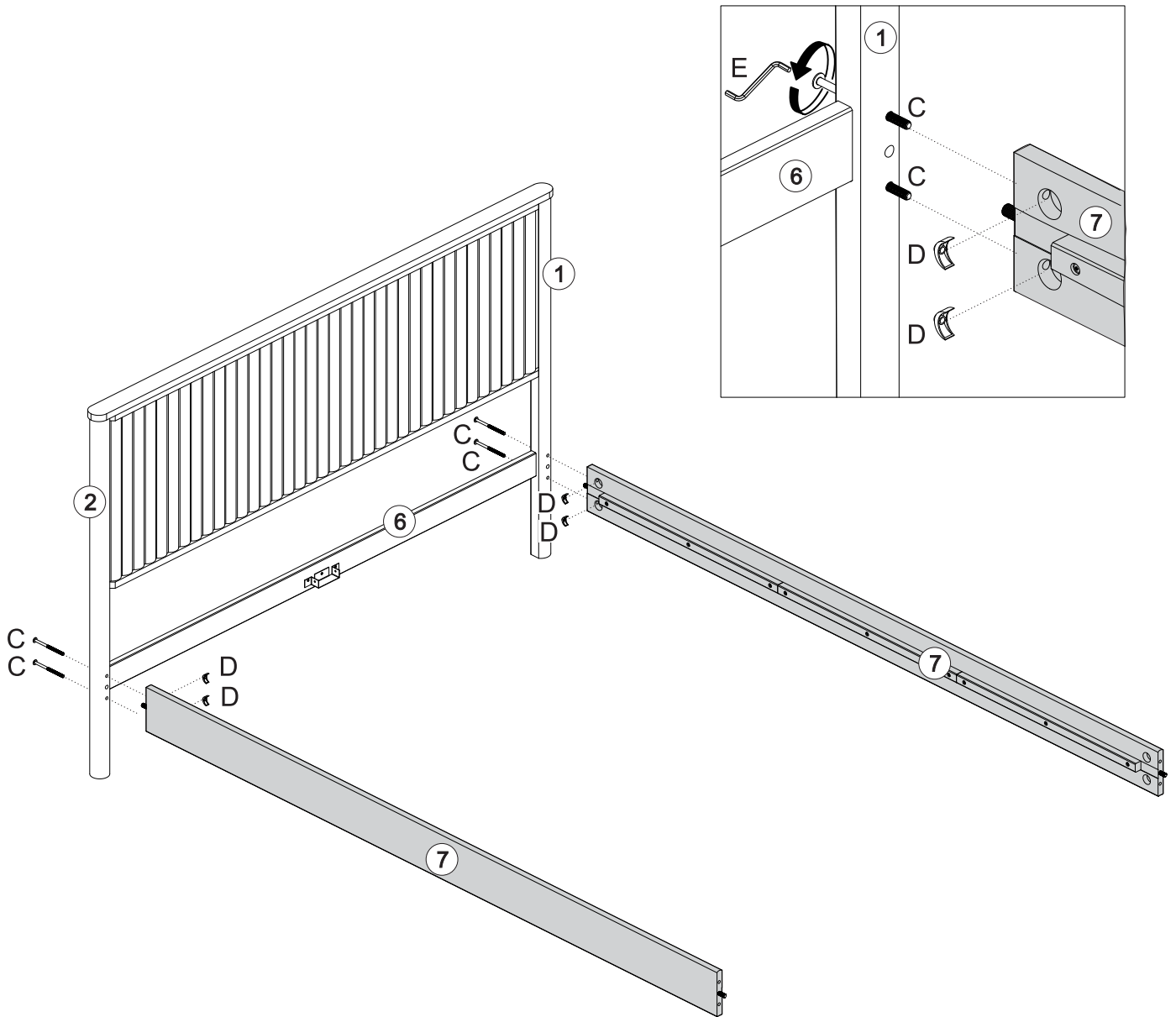


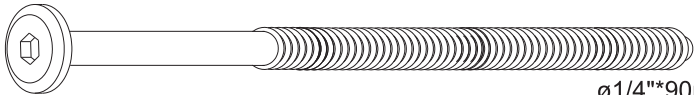


F		01
G		03

ø3,5*16mm

Apply support (F) on part 5 and fix with screw (G), using the Phillips head screwdriver.

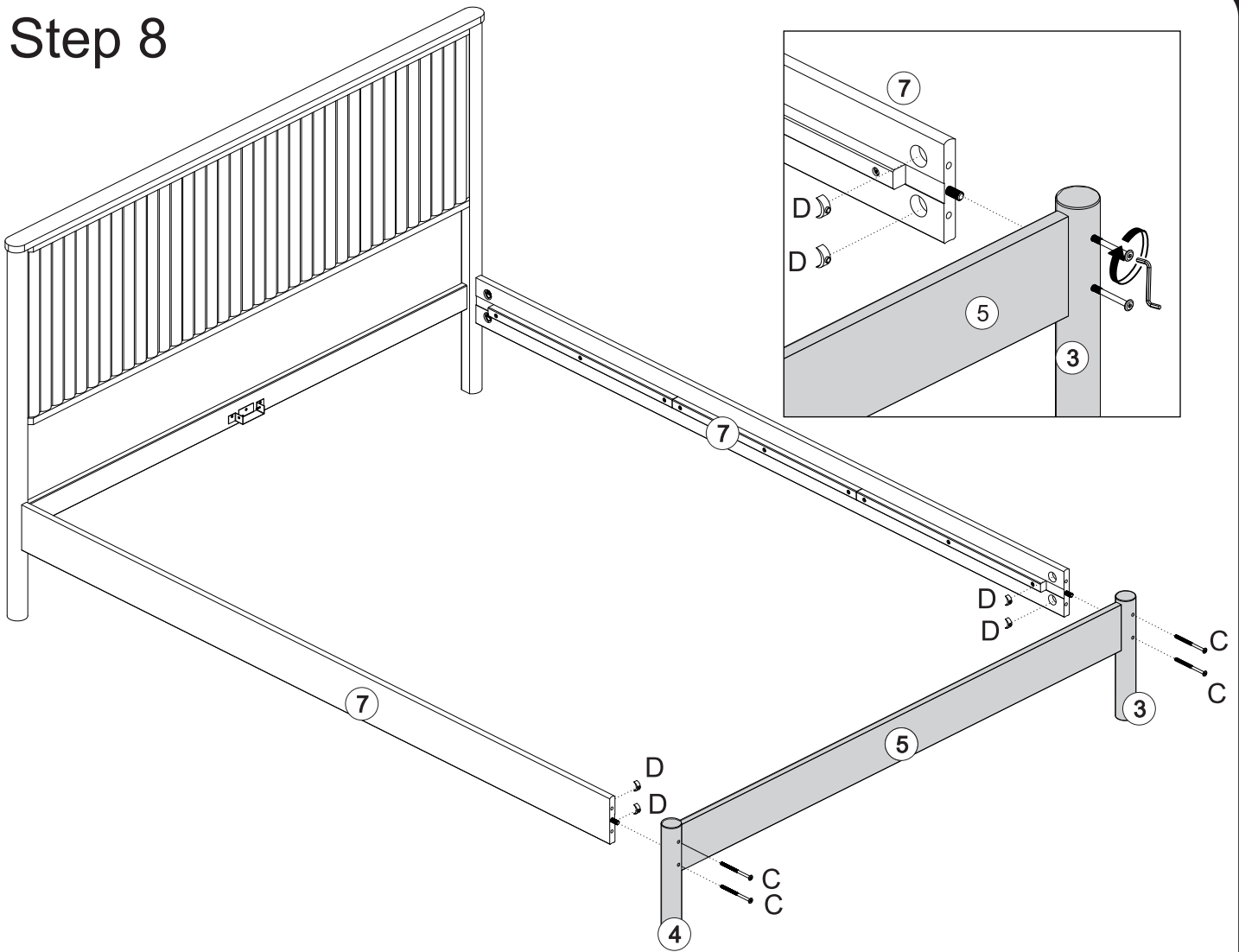
Step 7



C	 $\text{ø}1/4'' \times 90\text{mm}$	04
D		04
E		01

Secure parts 7 to parts 1 and 2 with screw (C) and barrel nut (D) using Hex Key (E).

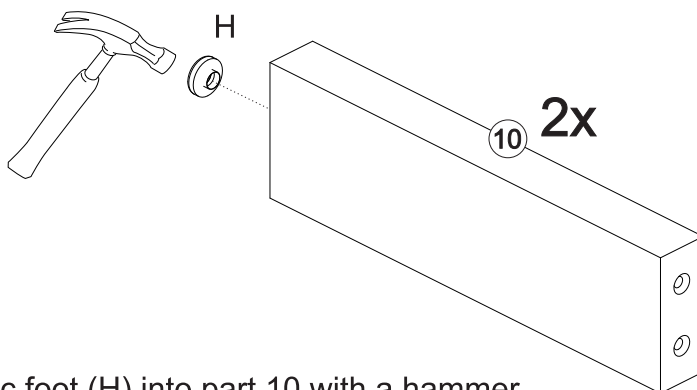
Step 8



C		04
$\varnothing 1/4'' \times 90\text{mm}$		
D		04
E		01

Secure parts 7 to parts 3 and 4 with screw (C) and barrel nut (D) using Hex Key (E).

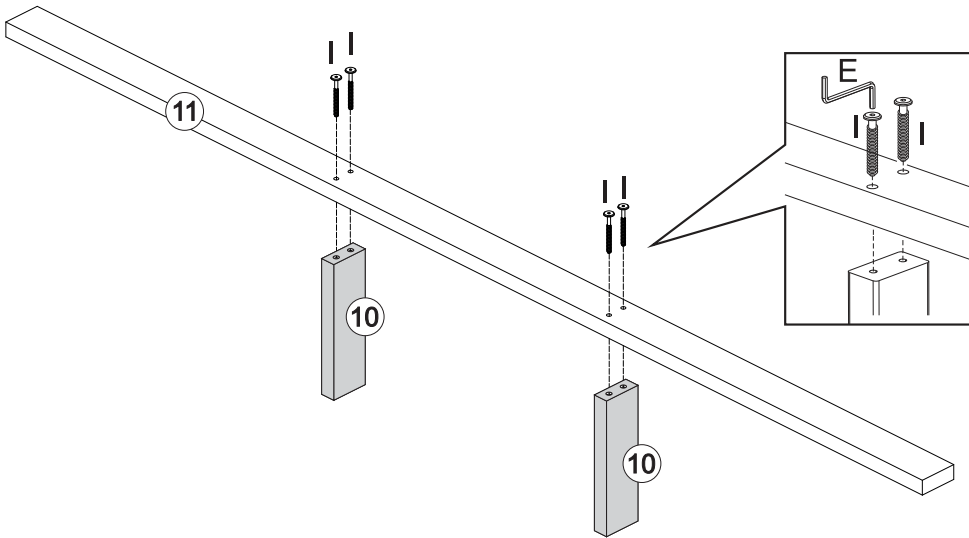
Step 9



Insert plastic foot (H) into part 10 with a hammer.

H		02
---	--	----

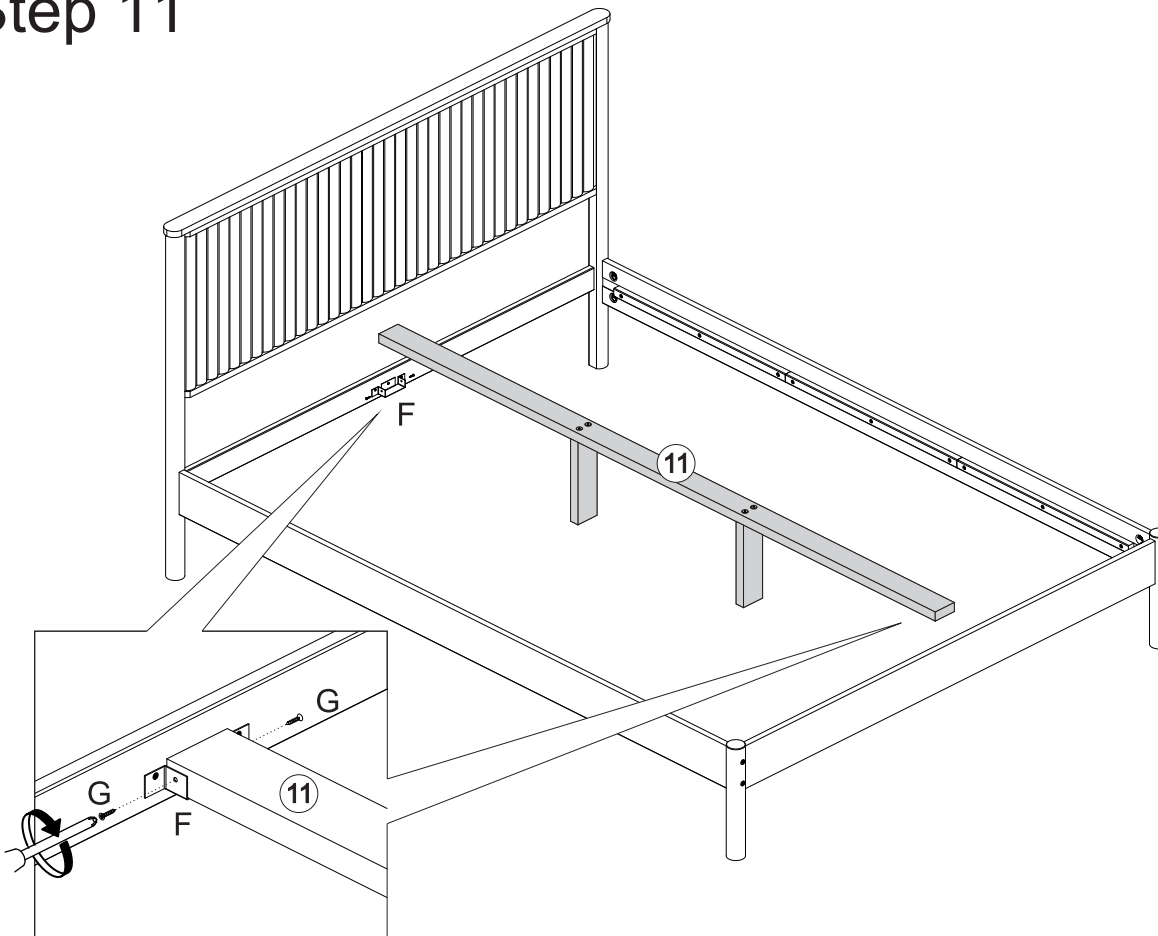
Step 10



Attach parts 10 to part 11 with screw (I), using Hex Key (E).

E		01
I		04

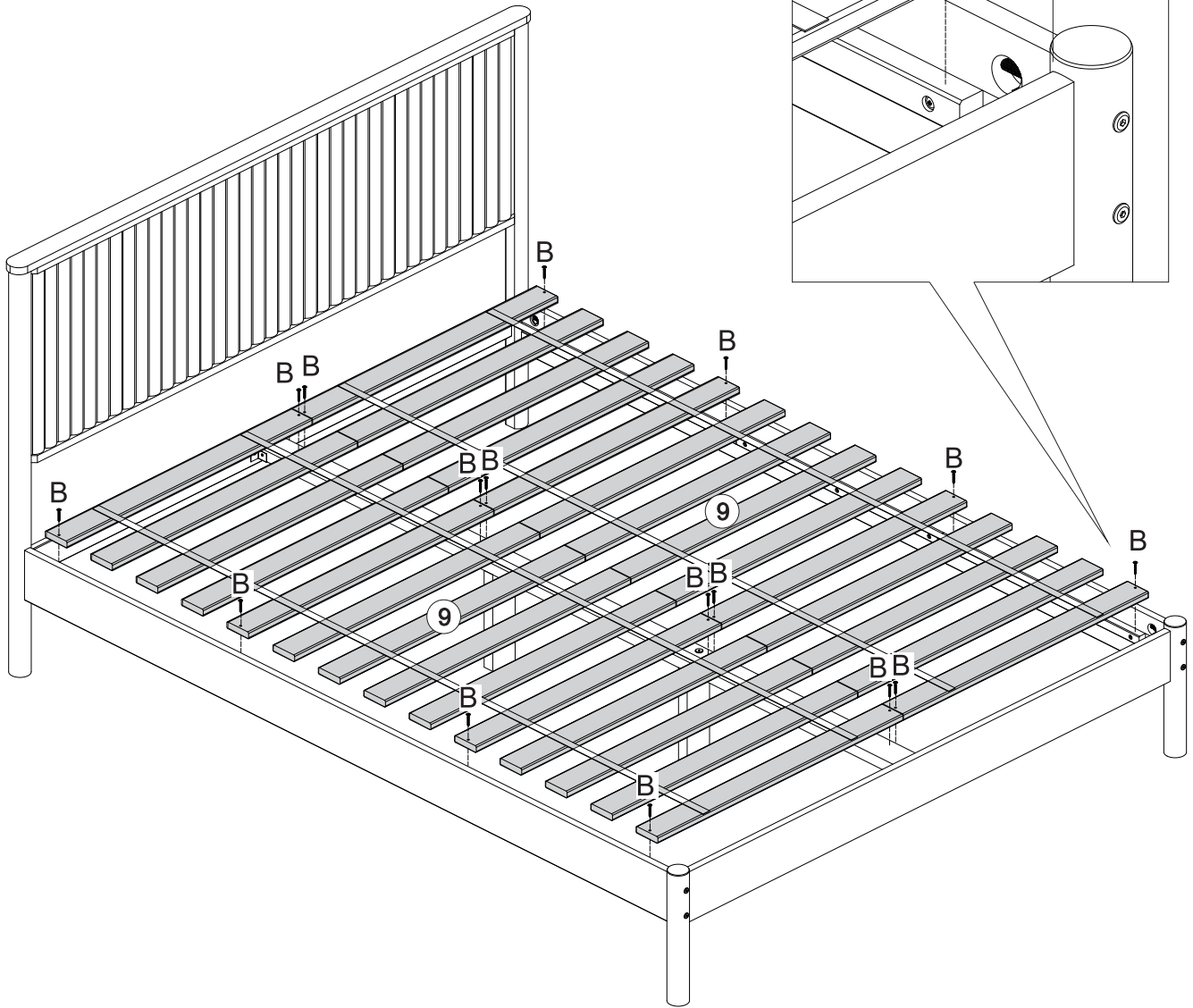
Step 11



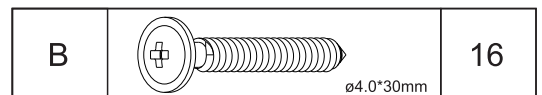
Secure part 11 to support (F) with screw (G), using the Phillips head screwdriver.

G		04
---	--	----

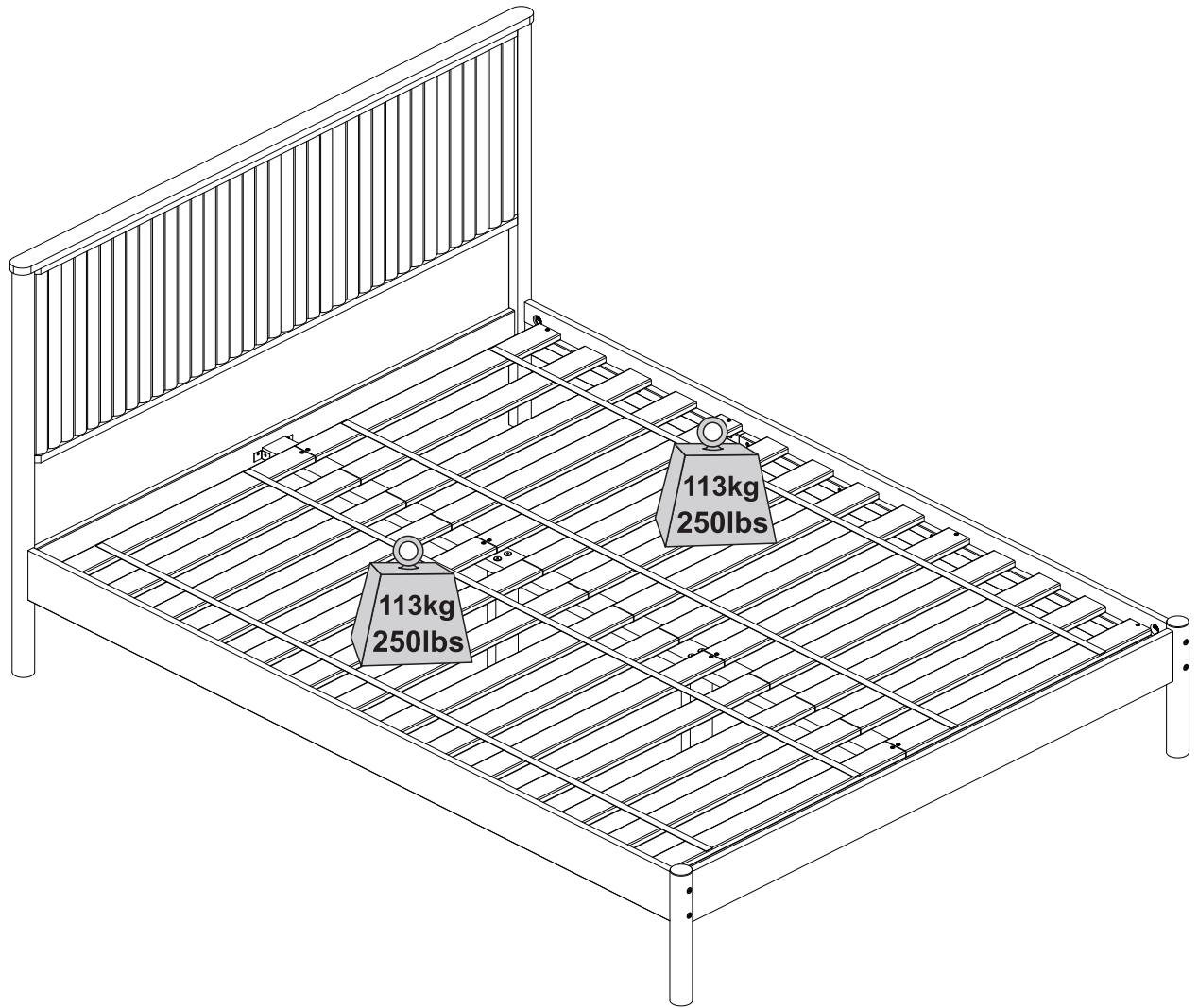
Step 12



Secure the slats set 9 with screw (B) using phillips head screwdriver.



Step 13



Assembly Complete!

