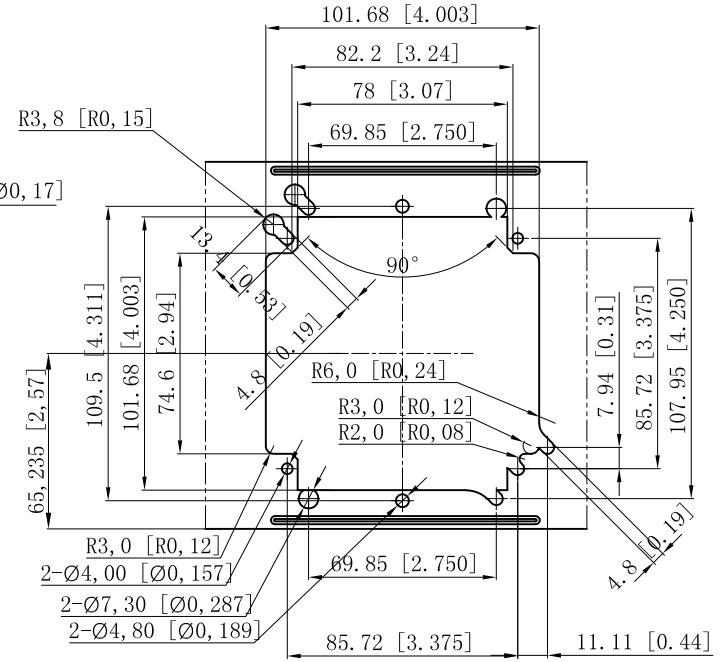
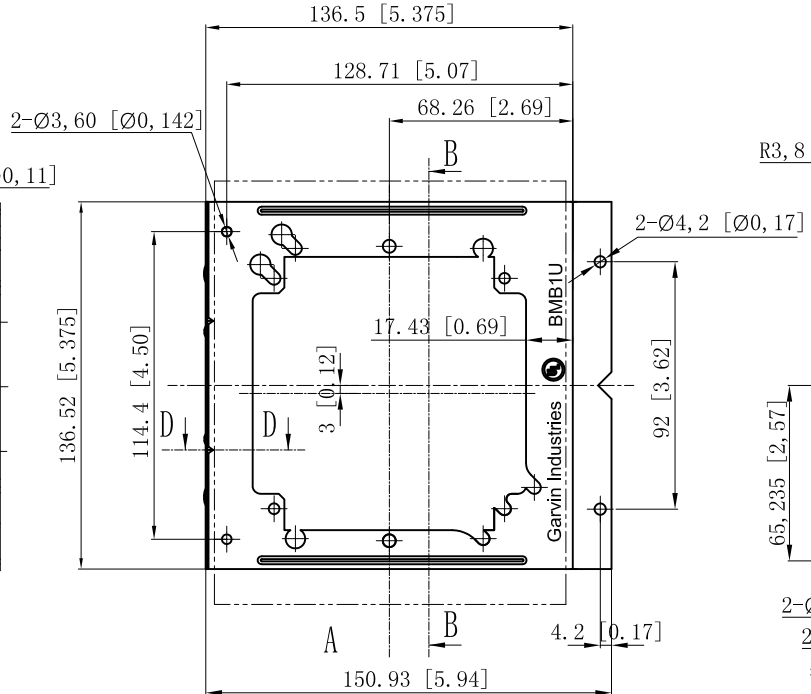
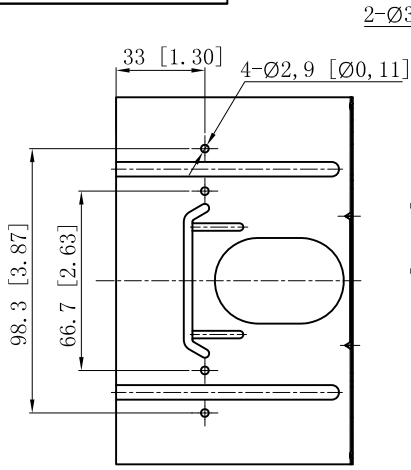


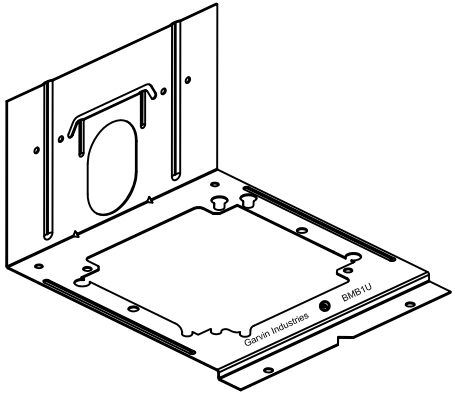
SIDES	BOTTOM
Material: Steel-0.024"-G60 Galvanized	



VIEW A



CUTAWAY VIEW D-D



This data sheet is for reference only .GARVIN INDUSTRIES reserves the right to make changes to the design without prior notice.

DESCRIPTION
TRADE REFERENCE TERMS

STANDARD PACKING	<h1>GARVIN INDUSTRIES</h1>		
25 PCS			
TITLE			
SIZE	DWG NO.	REV	
A4	BMB1U	B	
DATA SHEET			
www.garvinindustries.com			