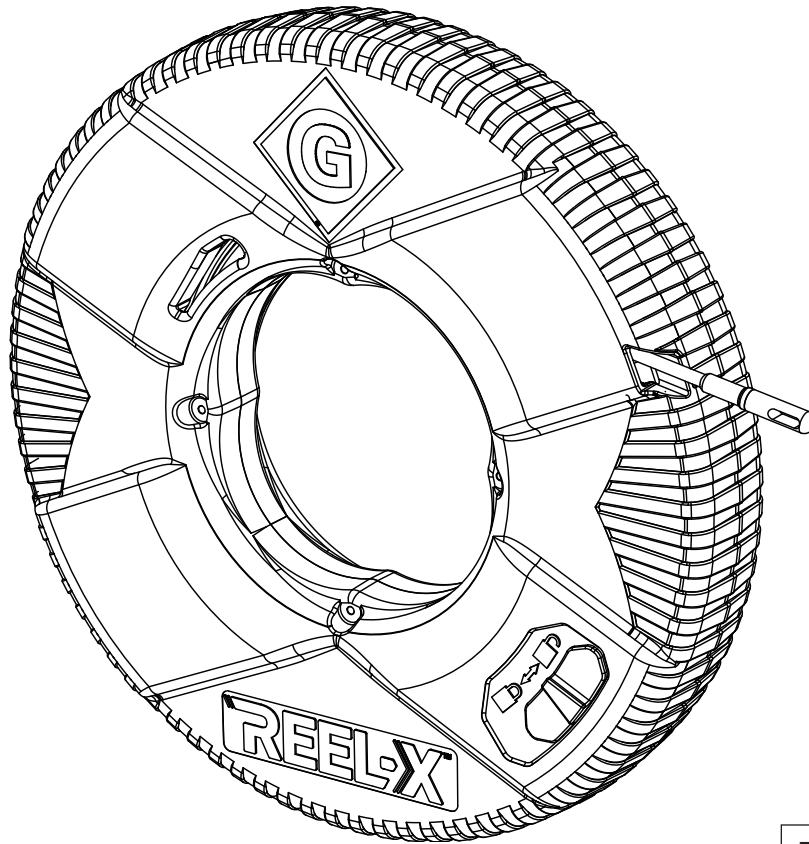


# INSTRUCTION MANUAL



Español.....	13
Français.....	25

## Reel-X™ Fish Tape



**Read and understand** all of the instructions and safety information in this manual before operating or servicing this tool.

## Table of Contents

Cover Page.....	1
Table of Contents .....	2
Safety Symbols .....	3
General Safety Warnings.....	4
Work Area Safety .....	4
Personal Safety .....	4
Fish Tape Use and Care.....	4
Service .....	4
Identification and Illustration .....	5
Features .....	5
Benefits .....	5
Specifications.....	5
Tool Operation.....	6
Pre-Operation Inspection.....	6
Set-Up and Operation.....	6
Storage & Maintenance.....	7
Assembly Storage.....	7
Reel Cartridge Storage .....	7
Replace Reel Cartridge .....	8-9
Replace Storage Lock.....	9
Repairing Fiberglass Tape or Replacing the Eye.....	10
Replacement Parts.....	10



**Do not discard this product or throw away!**  
For recycling information, go to [www.greenlee.com](http://www.greenlee.com).

Replacement manuals are available upon request at no charge at [www.greenlee.com](http://www.greenlee.com).

***KEEP THIS MANUAL***

## Safety Symbols

In this operator's manual and on the product, safety symbols and signal words are used to communicate important safety information. This section is provided to improve understanding of these signal words and symbols.



This is the safety alert symbol. It is used to alert you to potential personal injury hazards. Obey all safety messages that follow this symbol to avoid possible injury or death.

### **⚠ WARNING**

Hazards which, if not avoided, **COULD** result in severe injury or death.

### **⚠ CAUTION**

Hazards or unsafe practices which, if not avoided, **MAY** result in injury or property damage.



### **⚠ WARNING**

Read and understand this material before operating or servicing this tool.

Failure to understand how to safely operate this tool could result in an accident causing serious injury or death.



### **⚠ WARNING**

Wear eye protection when operating or servicing this tool.

Failure to wear eye protection could result in serious eye injury, including from flying debris or from the end of the fish tape.



### **⚠ WARNING**

Wear hand protection when operating or servicing this tool.

Failure to wear hand protection could result in serious hand injury, including from sharp edges or from the end of the fish tape.



### **⚠ WARNING**

Do not use near live circuits. Contact with live circuits could result in severe injury or death.



### **⚠ WARNING**

Keep secure footing and balance. Fish tape could separate or move suddenly while pulling.

Failure to observe this warning could result in severe injury.

## GENERAL SAFETY WARNINGS

### SAVE THESE INSTRUCTIONS

#### WORK AREA SAFETY

**Keep your work area clean and well lit.** Cluttered or dark areas invite accidents.

**Keep children and bystanders away while operating fish tape.** Distractions can cause you to lose control.

#### PERSONAL SAFETY

**Stay alert, watch what you are doing and use common sense when operating a tool. Do not use tools while tired or under the influence of drugs, alcohol, or medication.** A moment of inattention while operating tools may result in serious personal injury.

**Dress properly. Do not wear loose clothing or jewelry.** Keep your hair and clothing away from moving parts. Loose clothes, jewelry, or long hair can be caught in moving parts.

**Do not overreach. Keep proper footing and balance at all times.** This enables better control of the tool in unexpected situations.

**Do not let familiarity gained from frequent use of this tool allow you to become complacent and ignore tool safety principles.** A careless action can cause severe injury within a fraction of a second.

**Use personal protective equipment. Always wear eye protection.** Protective equipment such as dust mask, non-skid safety shoes, hard hat, gloves, or hearing protection used for appropriate conditions will reduce personal injuries.

#### FISH TAPE USE AND CARE

**Do not force fish tape if jammed. Use the correct fish tape for your application.** The correct fish tape will do the job better and safer at the rate for which it was designed. Overloading fish tape could result in injury.

**Store idle fish tape out of reach of children and do not allow persons unfamiliar with the tool or these instructions to operate the fish tape.** Fish tapes are dangerous in the hands of untrained users.

**Maintain tools with care. Check for misalignment or binding of moving parts, breakage of parts and any other condition that may affect the fish tape's operation.** If damaged, have the fish tape repaired before use. **Keep fish tape clean.** Dirty fish tapes can bind and become hard to control.

**Use only accessories and material that are recommended by the manufacturer for your model.** Accessories that may be suitable for one tool may become hazardous when used on another tool.

**Use the fish tape, accessories, etc. in accordance with these instructions, taking into account the working conditions and the work to be performed. Use of the fish tape for operations different from those intended can result in a hazardous situation.**

**Keep handles and grasping surfaces dry, clean and free from oil and grease.** Slippery handles and grasping surfaces do not allow for safe handling and control of the fish tape in unexpected situations.

#### SERVICE

**Tool service must be performed only by qualified repair personnel in accordance with this instruction manual.** Service or maintenance performed by unqualified personnel could result in a risk of injury.

**When servicing a tool, use only identical replacement parts. Follow instructions from this manual.** Use of unauthorized parts or failure to follow maintenance instructions may create a risk of injury.

**Do not modify fish tape.** Modifying the fish tape in any manner may result in personal injury.

**Before operating a fish tape, read and understand:**

- This operator's manual,
- The instructions for any other equipment used with this tool.

Failure to follow all instructions and warnings may result in property damage and/or serious injury.

## Identification and Illustration

### Components

1. Front Housing
2. Rear Housing
3. Reel Cartridge
4. Pulling Eye
5. Fish Tape Material
6. Storage Lock
7. Screws

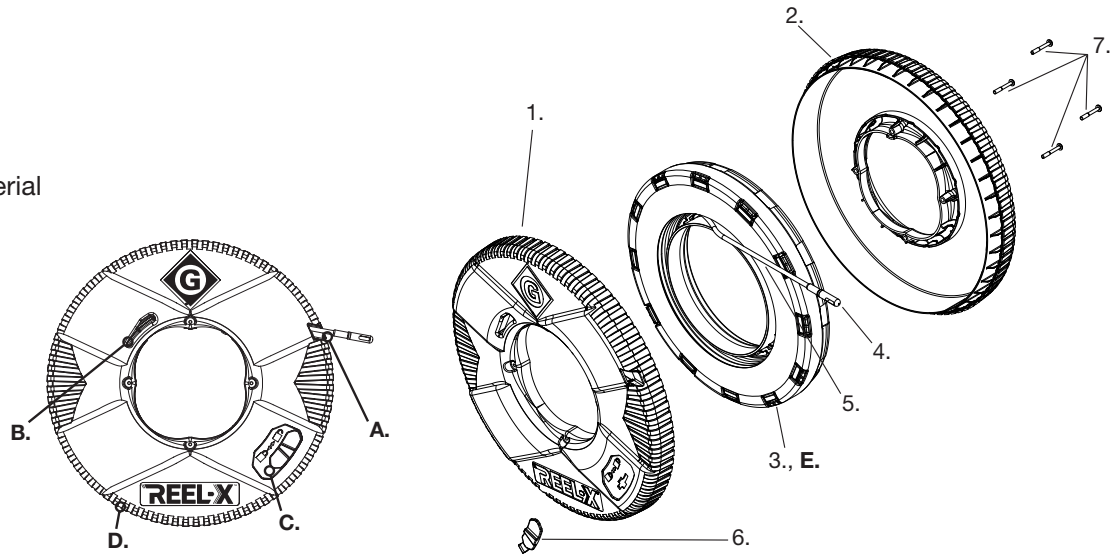


figure 1

## Features

### A. Primary Exit:

- Traditional exit allows for ambidextrous use of the case at any orientation or angle

### B. Secondary Exit:

- Set your case on the ground to free up both hands while feeding into conduit or pulling

### C. Storage Lock

- Keeps the fish tape contained within the case during transport

### D. Textured Grip

- Ribbing along the edge of the case allows you to hold it securely at any angle

### E. Quick-Change Reel Cartridge

- Inner reel spins freely to reduce tape friction, speeding up your pull
- Eliminates binding and overcomes kinks
- 2x Faster (when compared with a traditional fish tape)

## Benefits

### Maximum Comfort & Ergonomics

- Reduce fatigue with lower forces needed to feed & pull tape
- Decrease discomfort during use with a case that promotes neutral arm & wrist positions
- Minimize strain with a case designed to encourage holding it closer to your body

### Speed & Versatility

- Swap-out reel cartridges to quickly replace tape
- Case opens easily to access reel and remove any dirt & debris
- Case designed to fit all users and most fishing environments
- Fish faster when you hold the case between your legs or set it on the ground to free up both hands

## Specifications

Catalog Number	Fish Tape Material Specifications				Unit Specifications		
	Material Type	Diameter	Length	Tensile Strength	Housing Diameter	Housing Thickness	Weight
FTXF-50	Fiberglass	11/64 in (4.4 mm)	50 ft (15.2 m)	300 lbs (1.3 kN)	12.8 in (325 mm)	2.5 in (64 mm)	3.5 lbs (1.6 kg)
FTXF-100	Fiberglass	11/64 in (4.4 mm)	100 ft (30.5 m)	300 lbs (1.3 kN)	12.8 in (325 mm)	2.5 in (64 mm)	4.2 lbs (1.9 kg)

## TOOL OPERATION

### Pre-Operation Inspection

#### ⚠ CAUTION

- If housing screw threads are stripped, replace housing. Stripped threads will weaken unit.
- If using a strap, be careful not to snag unit on anything. Additionally, be aware that your body is now attached to the end of the fish tape and will be pulled along with tape.
- If transporting or not actively using the fish tape, make sure the storage lock is in the locked position. Failure to do so could cause the fish tape material to unwind out of the case and cause injury. Fish tape can get snagged or damaged on objects or create a tripping hazard.

**Before daily use, inspect your fish tape and correct any problems to reduce risk of serious injury from electric shock, crushing injuries, equipment failure and other causes, and prevent tool damage.**

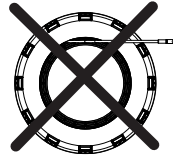
1. Clean any oil, grease or dirt from the tool. This aids inspection and helps prevent the tool or control from slipping in your grip.
2. Inspect the tool for:
  - Proper assembly, maintenance and completeness.
  - Any broken, worn, missing, misaligned or binding parts.
  - Any breaks, gouges, nicks, rust or sharp bends (will weaken all fish tape).
  - Presence and readability of the tool warnings.
  - Any other condition which may prevent safe and normal operation.

If any problems are found, do not use the fish tape until the problems have been repaired.

3. Inspect and maintain any other equipment being used per its instructions to make sure it is functioning properly.
4. Remove any obstructions or dangers in work area.

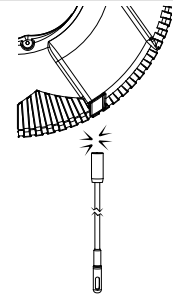
### Setup and Operation

#### ⚠ WARNING



Do not use the reel cartridge separate from housing. Without the housing, there is nothing preventing the fish tape from unwinding suddenly, causing injury.

#### ⚠ WARNING



Do not pull fish tape using housing or pull beyond maximum specified length. Anchor end can get jammed within housing or break off, causing fish tape material to come out of housing. If under load, this could result in severe injury or death.

#### ⚠ CAUTION

- Do not use powered pulling equipment to pull any fish tape. Damage to the tape can result.
- Do not force a pull that is jammed or not moving. Remove fish tape, wires and/or pulling line and check for kinks and obstructions.
- Do not pull the fish tape over sharp edges or corners. Damage to the fish tape can result.
- Keep fingers away from openings.
- Do not exceed maximum recommended load.

1. Move storage lock to the unlocked position as shown Figure 1.
2. Manually feed the fish tape through the conduit.
3. Fasten the pull line securely as shown in Figure 2.
4. Wrap the connection with plastic or electrical tape to protect the connection. See Figure 3.
5. Pull the fish tape through the conduit.

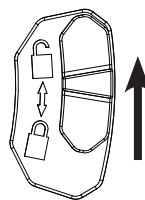


Figure 1

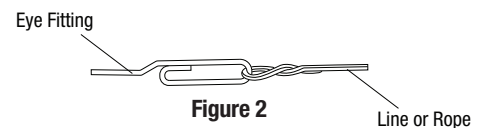


Figure 2

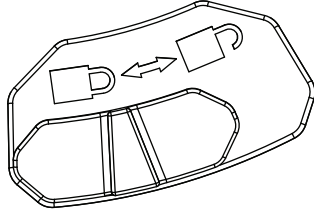


Figure 3

## STORAGE & MAINTENANCE

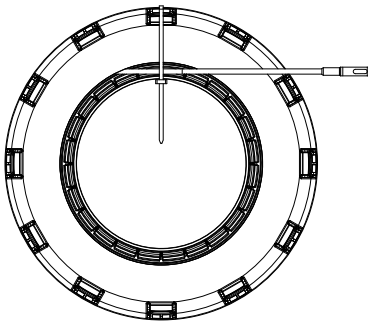
### Assembly (Housing & Reel) Storage

Engage storage lock by sliding it to the locked position as shown.



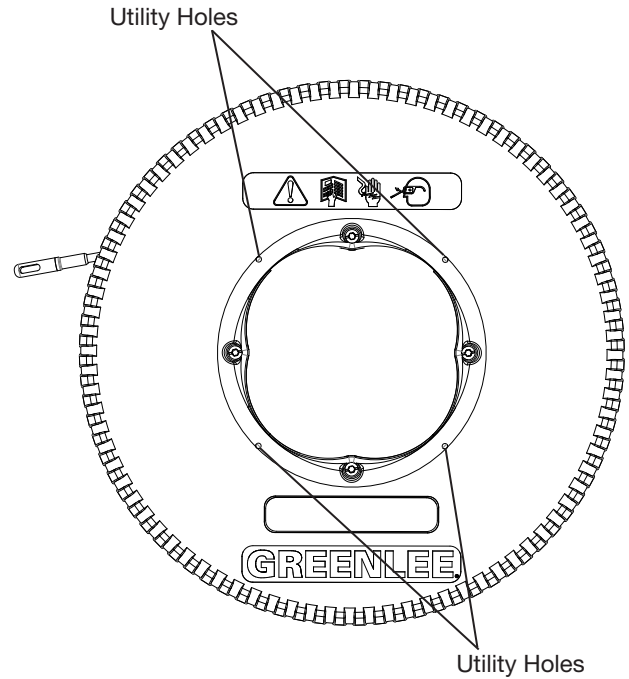
### Reel Cartridge Storage

Properly secure fish tape to reel cartridge to prevent fish tape from unwinding when not in housing.



### Maintenance

Keep the fish tape clean and dry. If friction is increased, spray silicone lubricant through the utility holes. If reel is jammed, take apart and clean out assembly. (Refer to replacement reel assembly instructions.)



*Note: Using incorrect lubricant can increase friction and decrease ease of use.*

This product works best with a silicone lubricant or equivalent (no additives).

## Replace Reel Cartridge

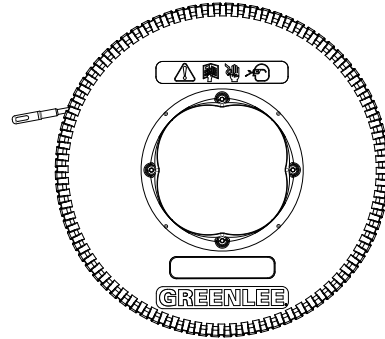
	<b>⚠ WARNING</b>
	Use caution when opening housing. Fish tape is coiled under tension and can rotate reel suddenly if released.

	<b>⚠ WARNING</b>
	Never attempt to disassemble reel cartridge. Fish tape is coiled under tension and will unwind suddenly if released. Additionally, reel disassembly and reassembly may weaken unit. If snaps have come undone, replace reel.

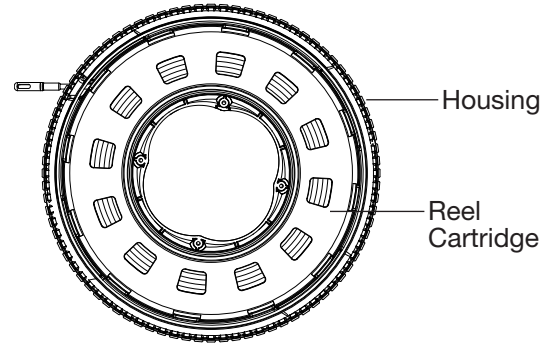
	<b>⚠ WARNING</b>
	Over tightening screws will strip housing threads and weaken unit. Under tightening screws will weaken unit. Replace housing if threads are stripped.

	<b>⚠ WARNING</b>
	Make sure to properly secure fish tape at all times, especially if unit will be going into storage. Fish tape is coiled under tension and will unwind suddenly if released.

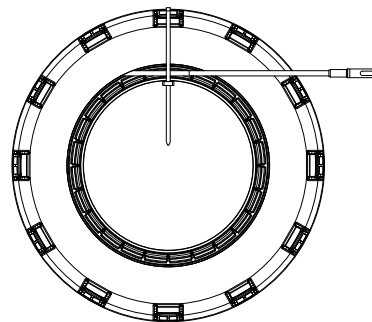
1. Place front housing (*fig. 1, component 1*) facing down on a flat, stable surface.



2. Remove the 4 screws (*fig. 1, component 7*) and rear housing (*fig. 1, component 2*).



3. To prevent tape from unwinding, place tie or strap around the reel cartridge (and not housing) (*fig. 1, component 3*).
4. Remove reel cartridge.

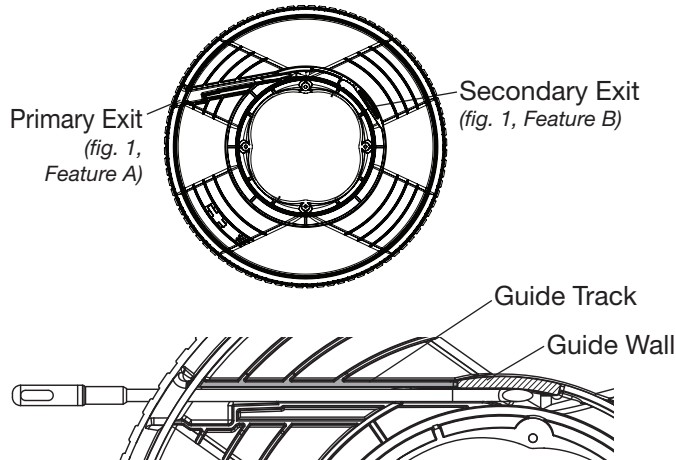




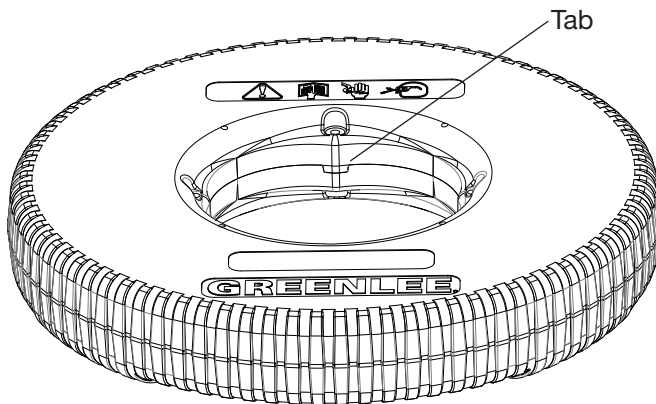
## Replace Reel cont.

5. Retrieve replacement reel cartridge.
6. Place pulling eye (*fig. 1, component 4*) through desired exit in front housing (*fig. 1, component 1*).

If using the primary exit: Make sure fish tape material is placed inside of the front housing guide wall and guide track. Failure to do so will increase friction or potentially jam unit.



7. Cut and remove tie.
8. Place rear housing onto assembly, ensuring tabs on housing inner diameters line up.

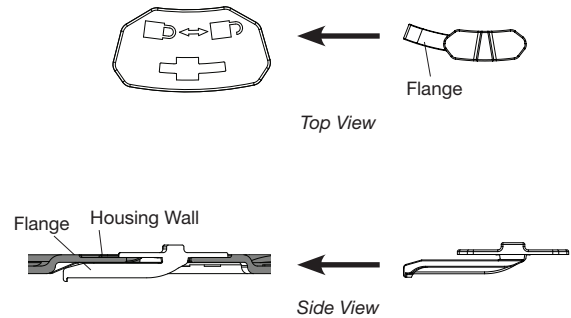


9. Screw the 4 screws (*fig. 1, component 7*) until tight.
10. Extend and retract fish tape material to ensure the reel freely spins. If reel does not spin freely, check to ensure tape is inside of guide wall and guide track.

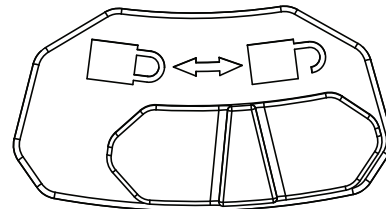
*Note: To switch exits (primary to secondary exit or vice versa), follow all previous steps except instead of switching out reels, move the pulling eye through the other exit.*

## Replace Storage Lock


1. Insert storage lock flange into opening. Flange should slide underneath housing wall on the locked position.




2. Make sure storage lock is flush with face of front housing and slide back to the unlocked position.



## Repairing Fiberglass Tape or Replacing the Eye

	<b>⚠ WARNING</b>
	<p>A properly bonded eye will have 1/2 the original strength.</p> <p>Maximum strength: 150 lb</p> <p>Failure to observe reduced strength may result in injury during use.</p>

	<b>⚠ WARNING</b>
	<p>Follow all safety and curing instructions provided by the adhesive manufacturer.</p> <p>Failure to observe this warning can result in minor injury and a poorly bonded joint.</p>

1. Cut the end of the fish tape with a fine-tooth hacksaw or sharp knife. Do not pinch, crack, or crush the fiberglass core.
2. Carefully strip approximately 1/2" (12.7 mm) length of the outer plastic jacket with a wire stripper or sharp knife. Do not cut into the fiberglass core.
3. Use emery cloth to rough up the surface of the stripped fiberglass core. Do not oversand.  
*Note: Do not touch the fiberglass surface after sanding. Do not attempt to reuse the end fitting. A new end fitting is required for a good bond.*
4. Test assemble the new fitting to the stripped tape to assure a good fit.
5. Use the adhesive provided in repair kit (10565) and follow the adhesive manufacturer's safety information and instructions. Apply and spread adhesive on the fiberglass core. Immediately insert the end of the tape into the fitting with a twisting motion.



*Note: If splicing, repeat Steps 2-5 for the other end of the tape.*

## Replacement Parts

### Replacement Reel Cartridges

Cat.	Part No.	Material	Length
RFTXF-50	52087577	Fiberglass	50'
RFTXF-100	52087578	Fiberglass	100'

### Repair Parts

Cat.	Part No.	Description
RFTXH	52087630	Housing Kit ( <i>includes front housing, rear housing, storage lock and screws x 4</i> )
RFTXSL	52087631	Storage Lock Kit
35930	50359304	Pulling Eye
10565	50105655	Repair Kit ( <i>includes threaded ferrule, splice ferrule and pulling eye</i> )

