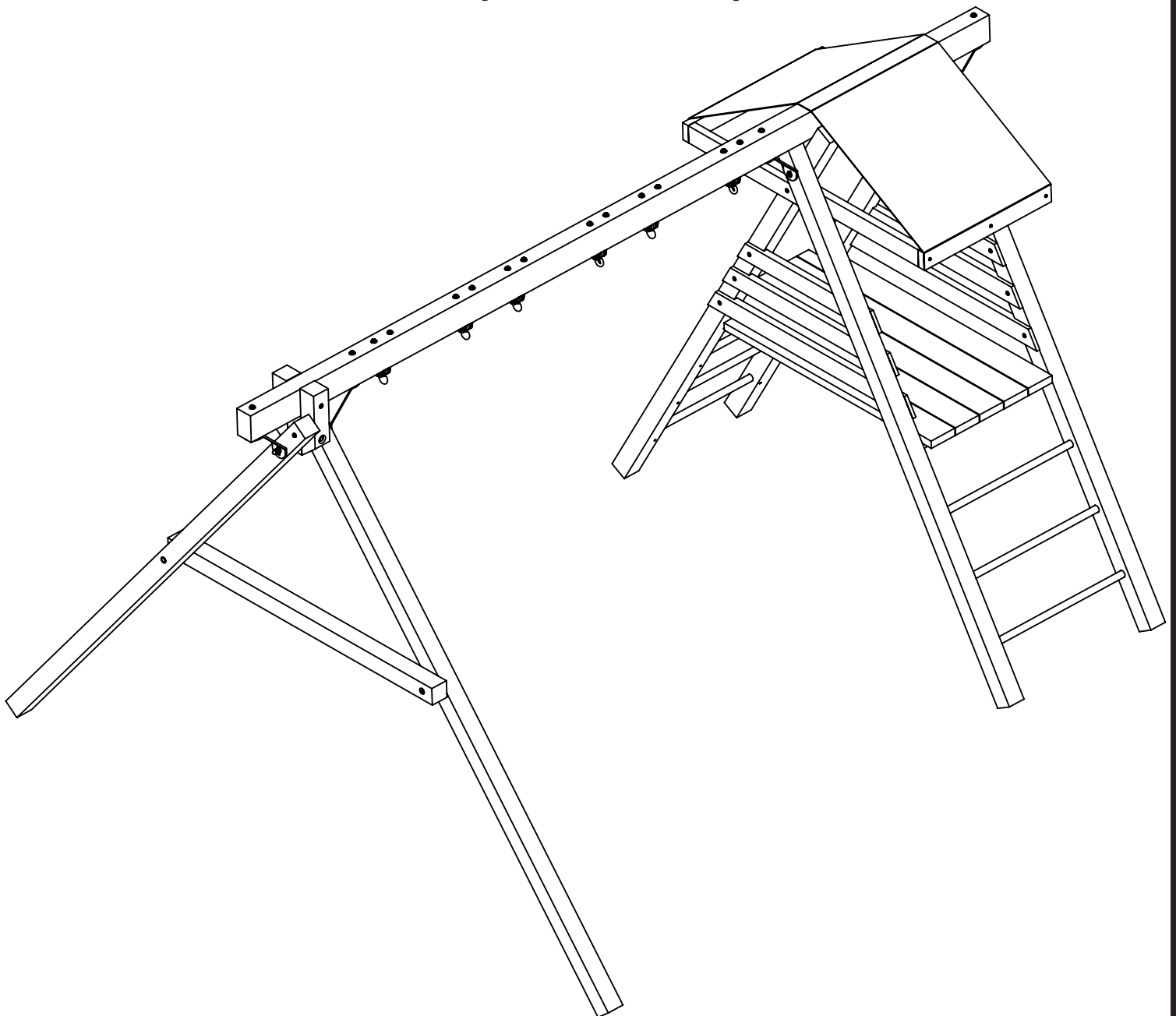


ChildLife[®]

Playsets

PG111

(JUNGLE CLIMBER)



PA-MA-0007-00

I N T R O D U C T I O N

Welcome to our family of ready-to-build backyard play equipment. CHILDLIFE playsets are designed with ease of assembly in mind and we provide these step-by-step installation instructions.

After reading the information below, locate your structure site and carefully unpack parts. As you unpack your playset, keep the parts identification sheet handy and become familiar with each part before beginning assembly. Remember that a little extra time spent familiarizing yourself with the parts and instructions before you begin will help you avoid mistakes and save you time later.

Choosing A Location For Your Playset

When selecting your structure site, always keep the child's safety in mind. Here are some recommendations to help you create a safe play area.

A. The playset should be located on level ground. The stationary components such as ladders and slides are **REQUIRED** to be a minimum of six feet from any structure or obstruction such as a fence, garage, house, tree or overhanging branches, electrical wires or clotheslines. Any swinging equipment is also **REQUIRED** to be a minimum distance twice the height of the swing beam away from these obstructions or structures as well. We also recommend that you do not install your playset near a lake, river, swimming pool or other water hazard.

B. The U.S. Consumer Product Safety Commission (CPSC) recommends that you install and maintain a resilient surface under your play equipment. The CPSC's Consumer Information Sheet for Playground Surfacing Materials at the end of this manual. A resilient surface, should be installed after the equipment has been completely assembled according to these instructions. The equipment must rest on solid ground. Please note that this product has a maximum fall height of 8'.

Do not install home playground equipment indoors, or over concrete, asphalt, packed earth, grass, carpet or any other hard surface. A fall onto a hard surface can result in serious or fatal injury.

Responsible on-site adult supervision is one of the most important contributions to children's safety that you can make. CHILDLIFE strongly recommends on-site adult supervision of children of all ages. Safe swinging and climbing skills need to be taught to children, just like any other physical activity.

The weight limit for any single user on CHILDLIFE play equipment is 200 pounds. Limit the number of users to one on each swing. The tower portion of the play system will accommodate four (4) additional users.

When the time comes to disassemble and dispose of the play equipment, do so in such a way that no hazards will exist at the time the equipment is discarded.

Maintaining Your Playset

Here are some maintenance tips required to insure safe enjoyment of your equipment for years to come.

A. At the beginning of each usage season and every two weeks during, check: nuts and bolts and tighten as needed, swing seats, chains, ladders, slides, rope and wood components for signs of deterioration and replace if necessary.

B. On a yearly basis, we recommend that you coat your playset with a sealant or preservative. You may also want to spot sand any areas prior to sealing. Be sure that the sealant you select is non-toxic and child safe.

C. Do not use line trimmers or "weed eaters" around your play equipment. The line will remove both stain and wood from uprights and base pieces. Any damage resulting from this type of abuse is not covered under our limited warranty.

D. Remove plastic swing seats and take indoors or do not use when the temperature drops below 0° F.

**If you have any questions about your playset, or are in need of replacement parts, call 1-800-GO-SWING.
Please keep these instructions for future reference.**

S A F E T Y I N S T R U C T I O N S

Teach Children:

- Not to walk close to, in front of, behind, or between moving items.
- Not to twist the swing ropes, or loop them over the top support bar, since this may reduce the strength of the rope.
- Not to swing empty swing seats.
- Not to swing sideways into the path of adjacent swings.
- Not to use the equipment in a manner other than that for which it is intended.
- Not to get off the equipment while it is in motion.
- Not to jump off the tower.
- Not to climb or swing when they are wet or when the equipment is wet.
- To sit in the center of the swings with their full weight on the seats.
- To hold on to swings and climbers with both hands.
- Not to stand in the swing seats.
- Not to ride or leave bicycles or other toys in the swing area.
- Not to use hammers, saws, nails, or wrenches on the equipment.
- Not to swing so high that chains become slack, or above the height of the swing support.
- Not to jump on a slide.
- Not to climb on top of the swing support.
- Not to attach to the playground equipment any item that is not specifically designed for use with the equipment, such as (but not limited to) jump ropes, clotheslines, pet leashes, cables, and chains. These may become strangulation hazards.
- To slide feet first, never head first.
- To watch for other children while swinging or playing near the equipment.

In Addition, Adults Must:

- Limit climbing and swinging heights to each child's ability.
- Verify that suspended climbing ropes are secured at both ends.
- Verify that suspended climbing ropes cannot be looped back on themselves.
- Dress children appropriately for play. Use well-fitting shoes that do not have slippery soles.
- Avoid ponchos, scarves, hoods, loose-fitting clothing, neckties, and any clothing with a drawstring. Serious injury could result should any part of the children's clothing become entangled in the equipment.
- Do not allow children to play wearing helmets.
- Remember that children are inventive. When they develop games that are unsafe, be alert and change the rules.

P A R T S L I S T

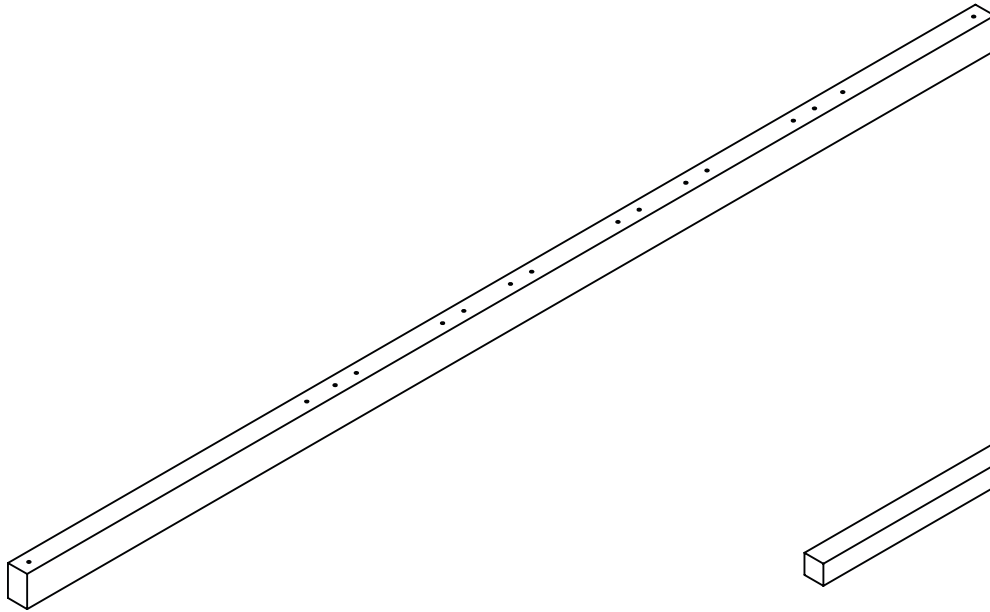
Part #	Description	Qty
PG-24-0033	27 1/2" Deck Support Board	1
PG-24-0034	22" Deck Support Board	1
PG-24-0035	29 3/8" Roof Support Board	1
PG-24-0036	Roof Support - Right	1
PG-24-0037	Roof Support - Left	1
PG-24-0038	49 13/16" Bottom Safety Rail A	1
PG-24-0039	49 13/16" Bottom Safety Rail B	1
PG-24-0040	42" Middle Safety Rail A	1
PG-24-0041	42" Middle Safety Rail B	1
PG-24-0042	34 1/8" Upper Middle Safety Rail A	1
PG-24-0043	34 1/8" Upper Middle Safety Rail B	1
PG-24-0046	32 3/8" Roof Support Board	1
PG-26-0019	57" Notched Deck Board	2
PG-26-0021	57" Deck Board	3
PG-44-0005	65" A-FRAME CROSSBRACE	1
PG-44-0007	U-JOINT OUTSIDE	2
PG-44-0008	U-JOINT CENTER SPACE BLOCK	1
PG-44-0035	108" Mini Deck Ladder Rail - Left	2
PG-44-0036	108" Mini Deck Ladder Rail - Right	2
PG-44-0037	118" A-FRAME LEG	2
PG-46-0003	171" 3 Position Headbeam	1
PG-HW-B001	3/8"-16 x 6.5" HEX BOLT	16
PG-HW-B004	1/2"-13 x 10" HEX BOLT	1
PG-HW-B005	1/2"-13 x 12" HEX BOLT	1
PG-HW-B011	3/8" X 6.5" CARRIAGE BOLT	2
PG-HW-B012	3/8-16 x 7 Hex Bolt	2
PG-HW-L006	5/16" x 5" LAG SCREW	4
PG-HW-L008	1/4 x 1" Hex Lag Screw	4
PG-HW-N001	3/8" NYLON LOCKNUT	18
PG-HW-N008	3/8" Standard Nut	2
PG-HW-W007	3/8" Lock Washer	2
PG-HW-N003	3/8"-16 ACORN NUT	4
PG-HW-N004	1/2" NYLON LOCKNUT	2
PG-HW-N005	1/2"-13 ACORN NUT	2
PG-HW-S001	#10 X 1" ROUND HEAD SCREW	6
PG-HW-S005	#8X3" FLAT HEAD WOOD SCREW	8
PG-HW-S008	#8X2 1/2 PH FLAT HD WDSCR	22
PG-HW-W001	#10 FLAT WASHER	6
PG-HW-W002	1/4" FLAT WASHER	16
PG-HW-W003	5/16" FLAT WASHER	4
PG-HW-W004	3/8" FLAT WASHER	38
PG-HW-W005	1/2" FLAT WASHER	6
PG-HW-L007	1/4 x 2" Hex Lag Screw	12
PG-HW-L009	1/4 x 3" Hex Lag Screw	4
PG-HW-S006	#10 X 2" Self Tapping Screw	12

A C C E S S O R Y P A R T S L I S T

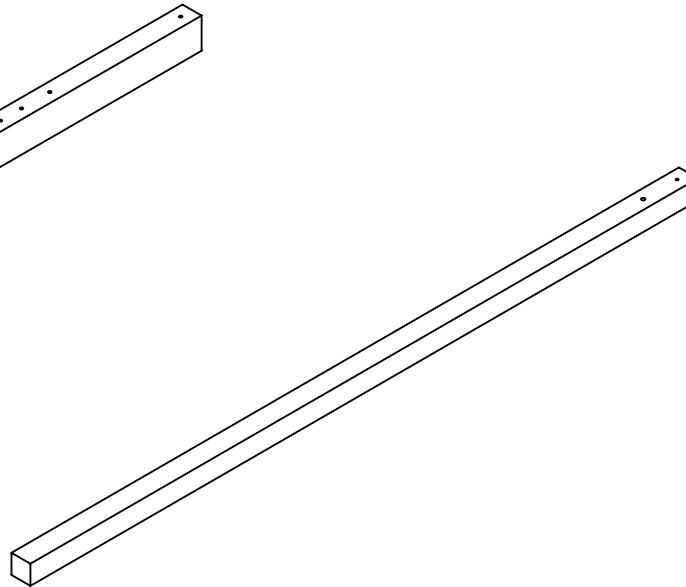
Part #	Description	Qty
PG-AC-0008	BELT SWING GREEN W/CHAIN	1
PG-AC-0009	BELT SWING YELLOW W/CHAIN	1
PG-HW-M003	ANGLE BRACKET	4
PG-HW-M002	DUCTILE SWING HANGER	6
PG-AC-0010	TRAPEZE SET	1
PG-HW-M008	SPRING CLIP	6
PG-HW-M003	Angle Bracket	4
PG-ST-0005	33"Round Rung	4
PG-ST-0006	26"Round Rung	4

TOOLS NEEDED

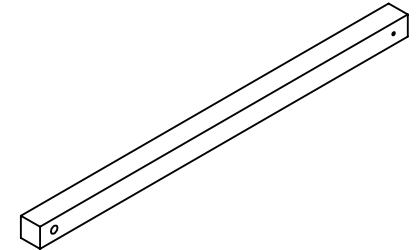
Hammer	$\frac{9}{16}$ " Socket
Carpenter's Level	$\frac{3}{4}$ " Socket
Tape Measure	Drill & $\frac{3}{8}$ " Bit
Phillips Screwdriver	A Friend or a Neighbor
$\frac{1}{2}$ " Drive Ratchet	



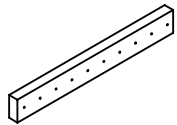
**171" 3 Position Headbeam
PG-46-0003**



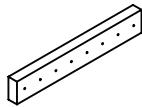
**118" A-FRAME LEG
PG-44-0037**



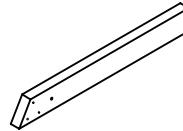
**65" A-FRAME CROSSBRACE
PG-44-0005**



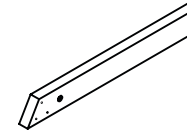
**27 1/2" Deck Support Board
PG-24-0033**



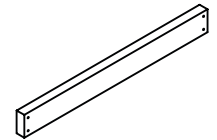
**22" Deck Support Board
PG-24-0034**



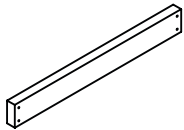
**Roof Support Board Left
PG-24-0037P**



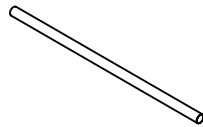
**Roof Support Board Right
PG-24-0036P**



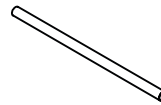
**32 3/8" Roof Support Board
PG-24-0046**



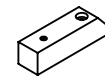
**29 3/8" Roof Support Board
PG-24-0035**



**33" Round Rung
PG-ST-0005**



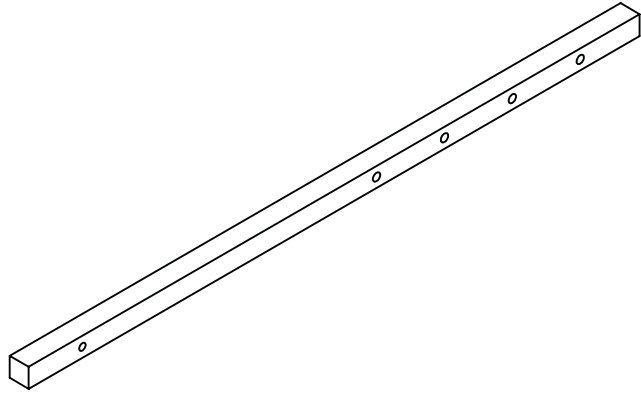
**26" Round Rung
PG-ST-0006**



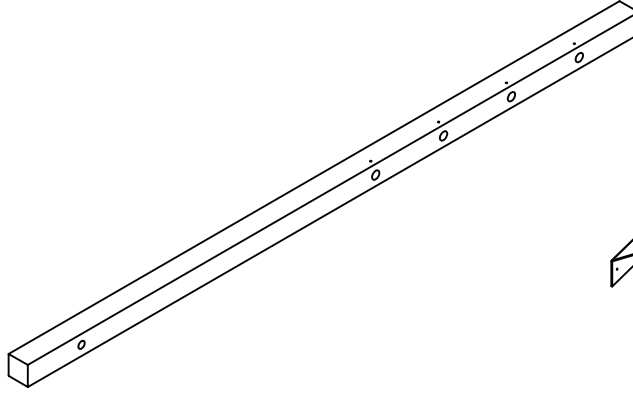
**U-JOINT OUTSIDE
PG-44-0007**



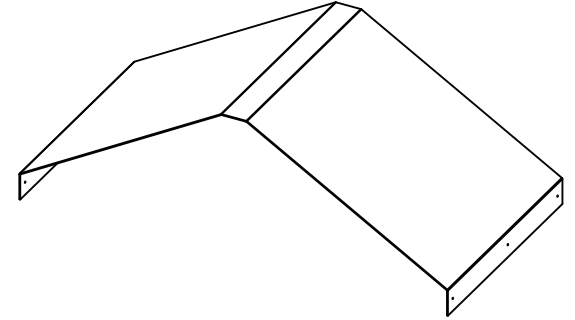
**U-JOINT CENTER SPACE BLOCK
PG-44-0008**



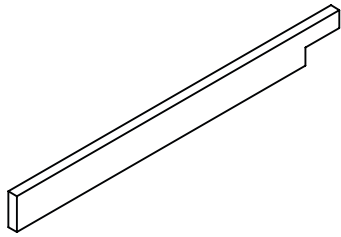
108" Mini Deck Ladder Rail - Right
PG-44-0036



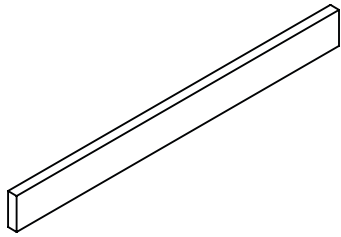
108" Mini Deck Ladder Rail - Left
PG-44-0035



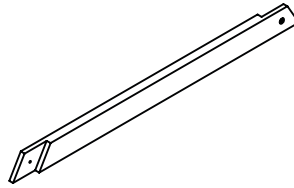
73 5/8" Vinyl Roof
PG-AC-0016



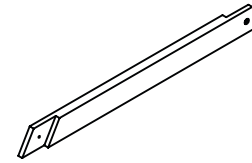
57" Notched Deck Board
PG-26-0019



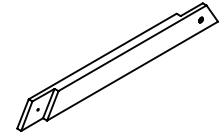
57" Deck Board
PG-26-0021



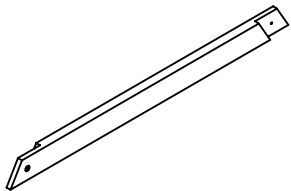
49 13/16" Bottom Safety Rail B
PG-24-0039



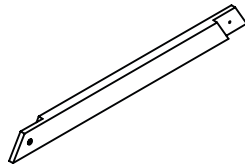
42" Middle Safety Rail B
PG-24-0041



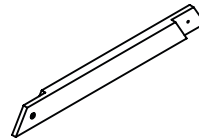
34 1/8" Upper Middle Safety Rail B
PG-24-0043



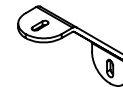
49 13/16" Bottom Safety Rail A
PG-24-0038



42" Middle Safety Rail A
PG-24-0040



34 1/8" Upper Middle Safety Rail A
PG-24-0042

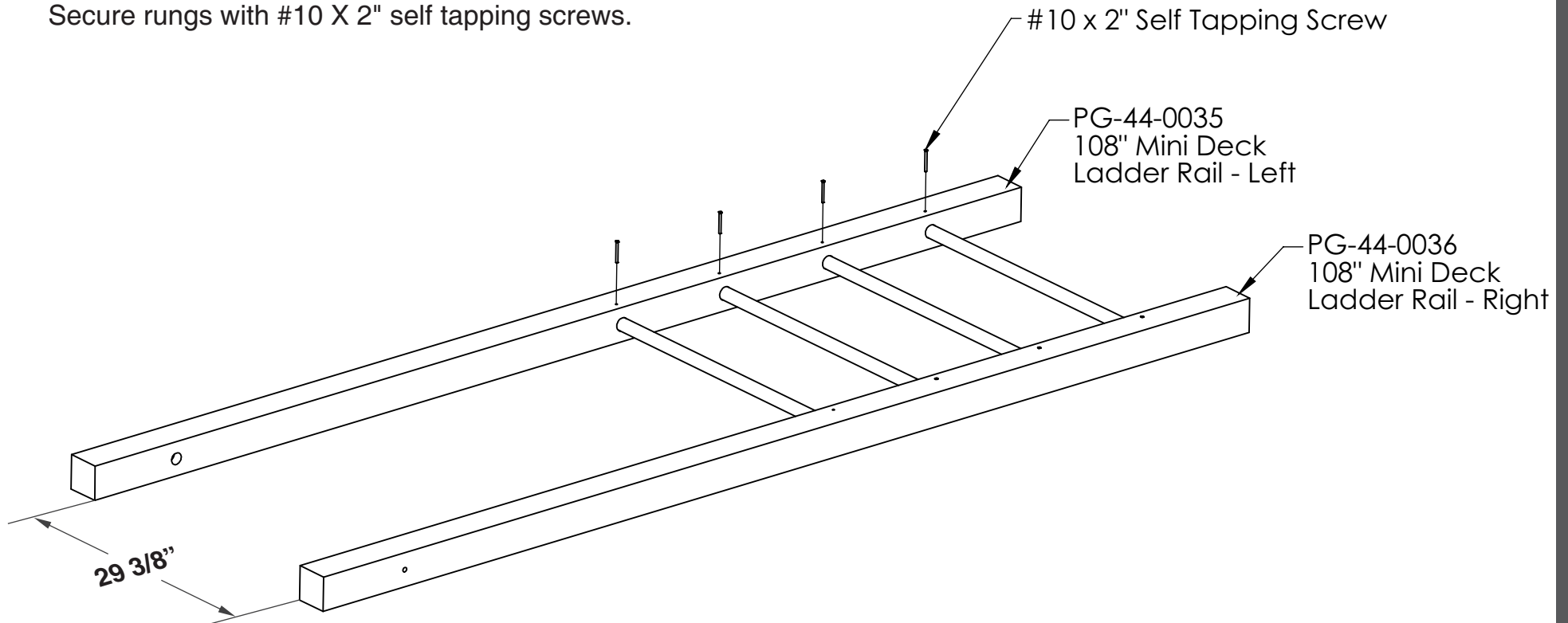


ANGLE BRACKET
PG-HW-M003



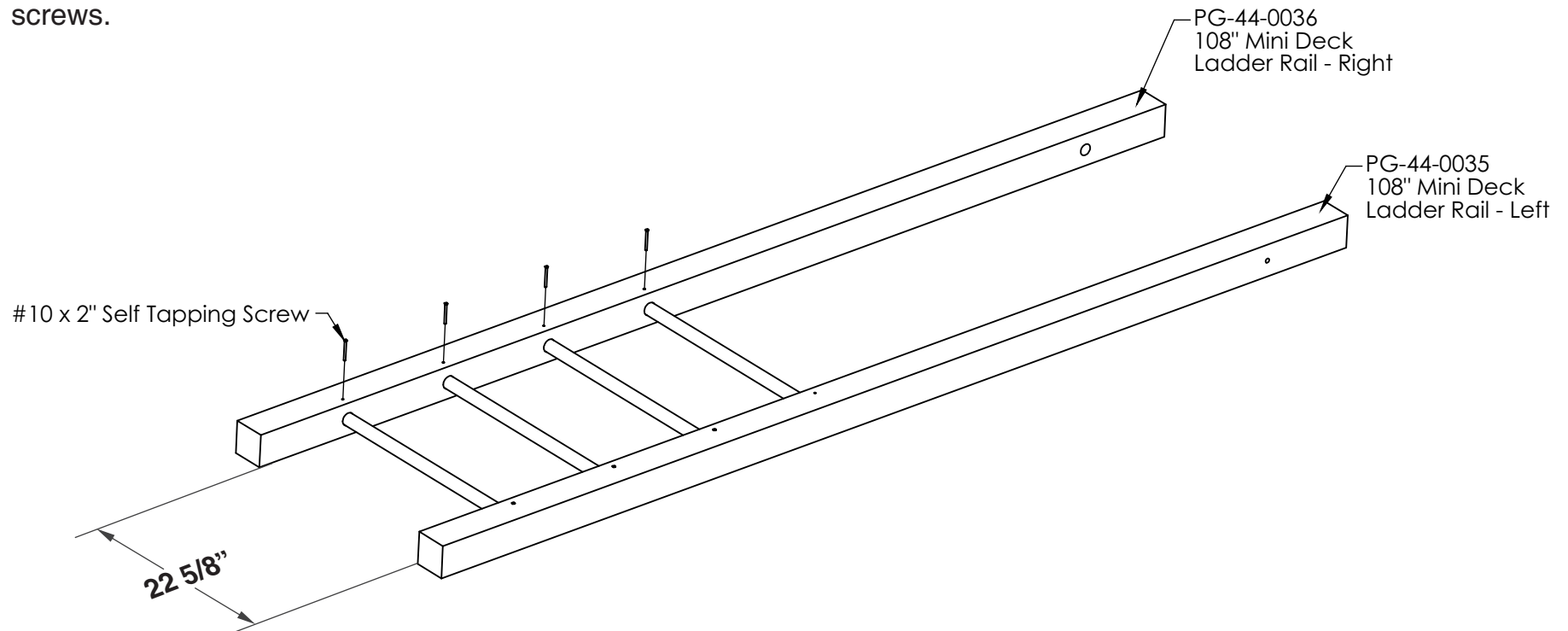
DUCTILE SWING HANGER
PG-HW-M002

1. On a flat Surface lay **Right and Left Ladder Rails** with small screw holes facing up and insert **33 inch Rungs**. Secure rungs with #10 X 2" self tapping screws.



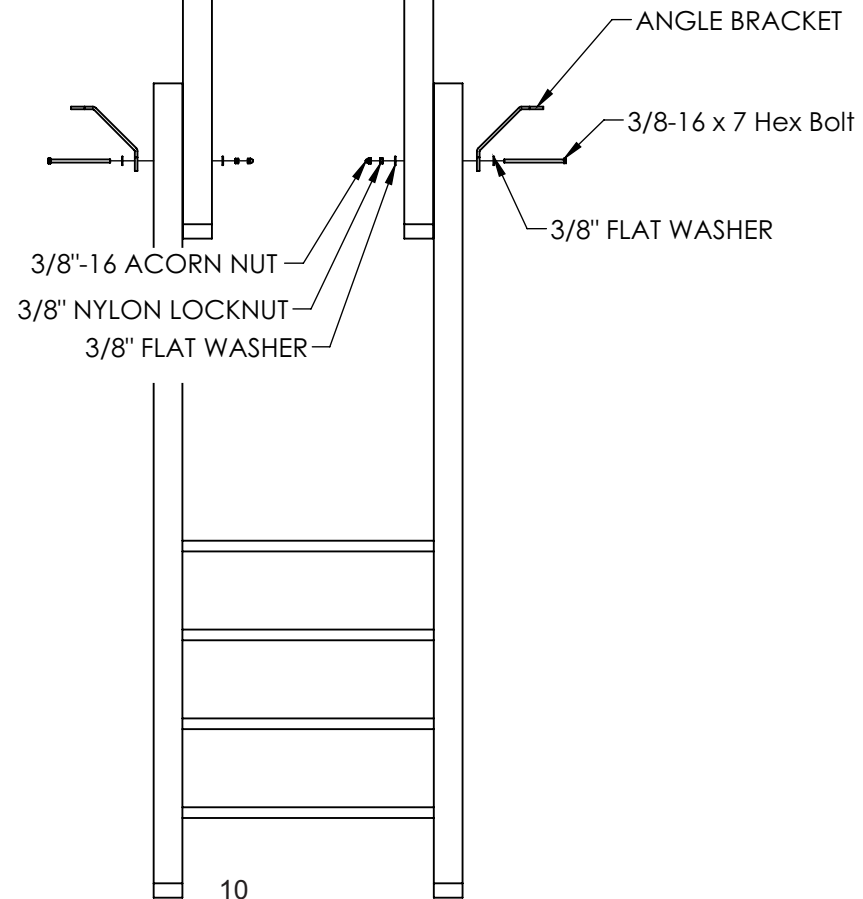
Note: Measurement taken to the inside of rails on both ends.

1. On a flat Surface lay **Right and Left Ladder Rails** with small screw holes facing up and insert **26 inch Rungs**. Secure rungs with #10 X 2" self tapping screws.

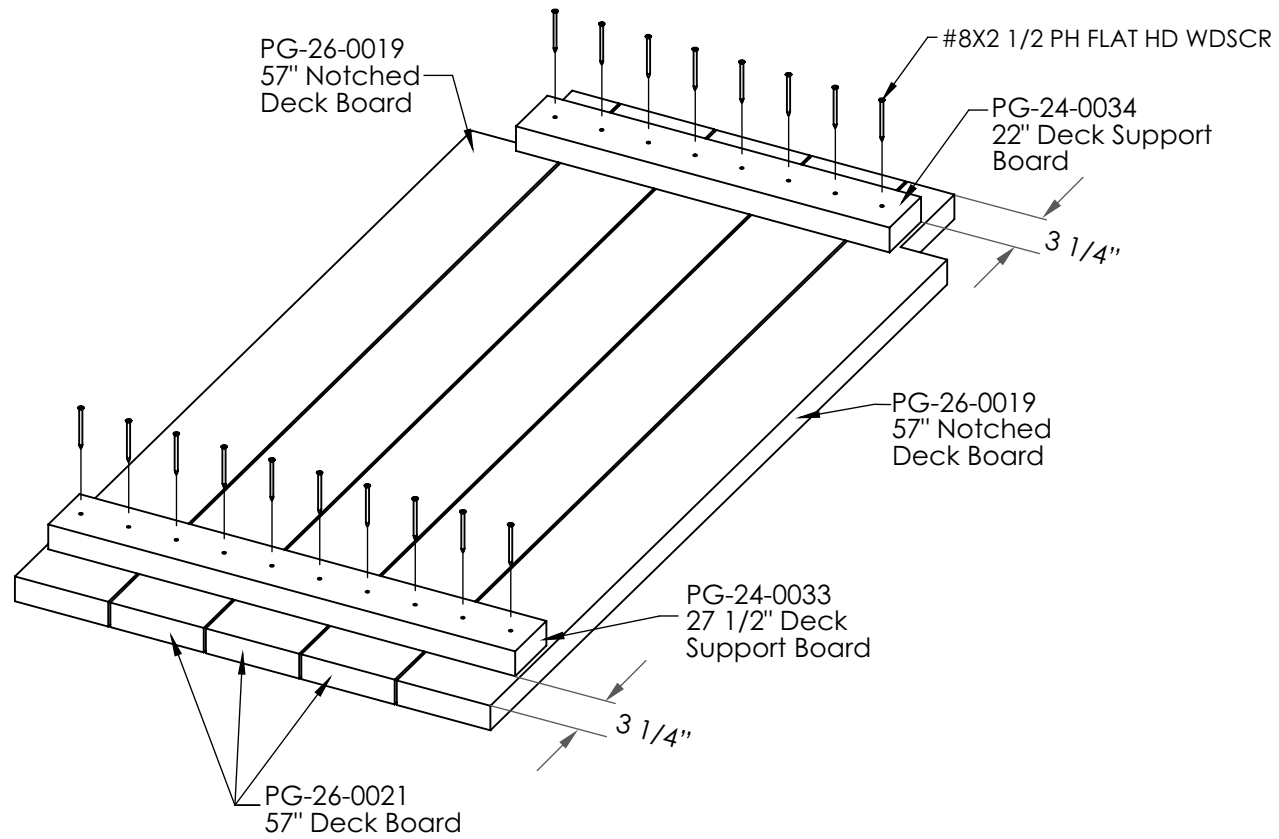


Note: Measurement taken to the inside of rails on both ends.

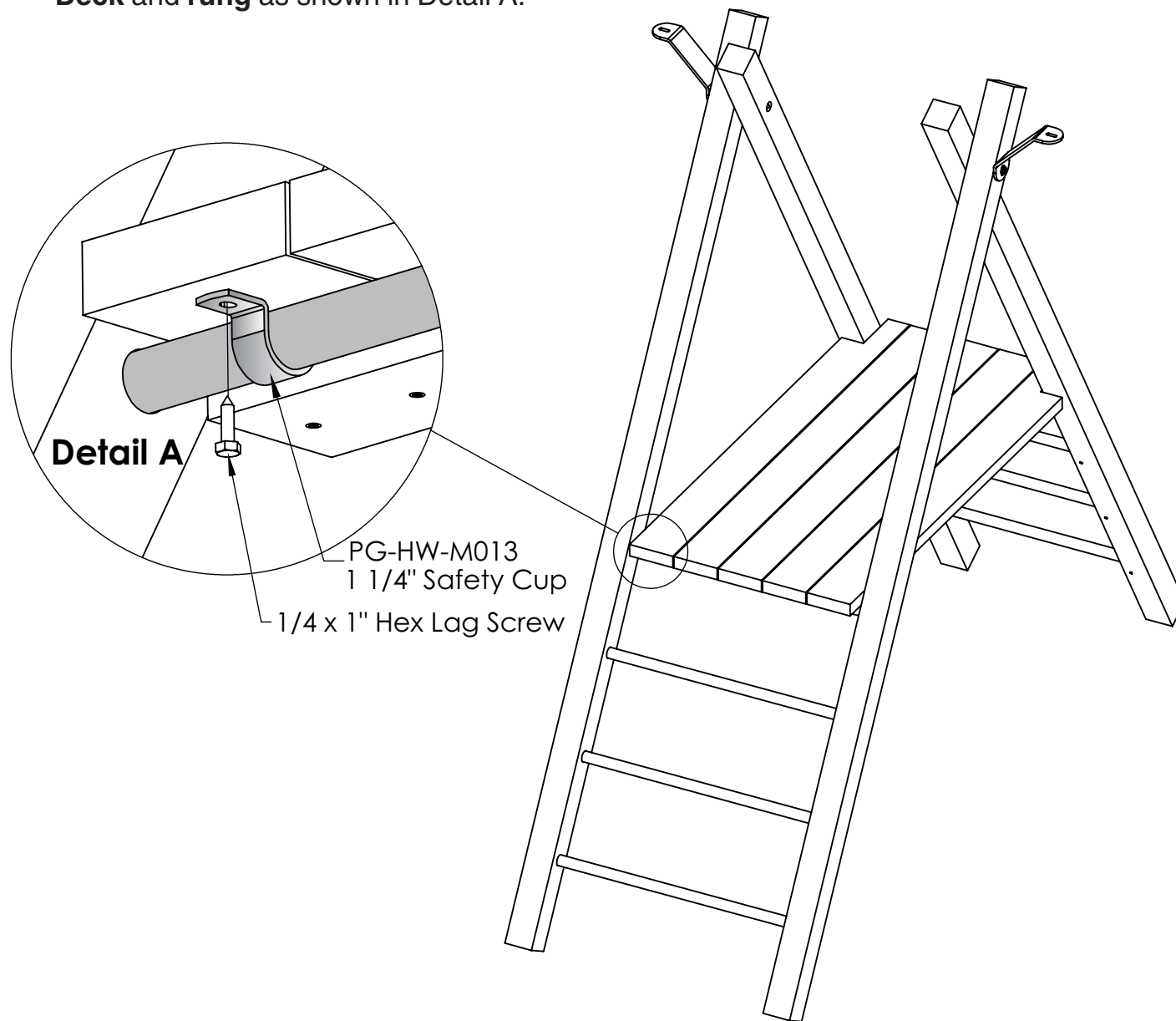
1. Lay **Ladder Assemblies** flat on the ground, line up holes in both assemblies and insert hardware as shown. Tighten hardware but **leave loose enough** to for ladder to pivot.



1. Lay the **Deck Boards** as shown and attach **Support Boards** with #8x 2 1/2 screws.



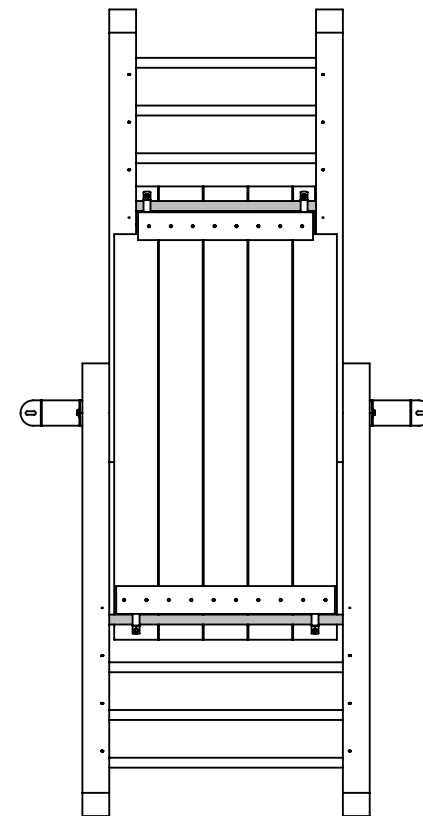
1. With the help of another person lift the **Ladder Assemblies** and Place **Deck** on the rungs of the **Ladder Assemblies**. Attach **Safety Cups** to **Deck** and **rung** as shown in Detail A.



Detail A

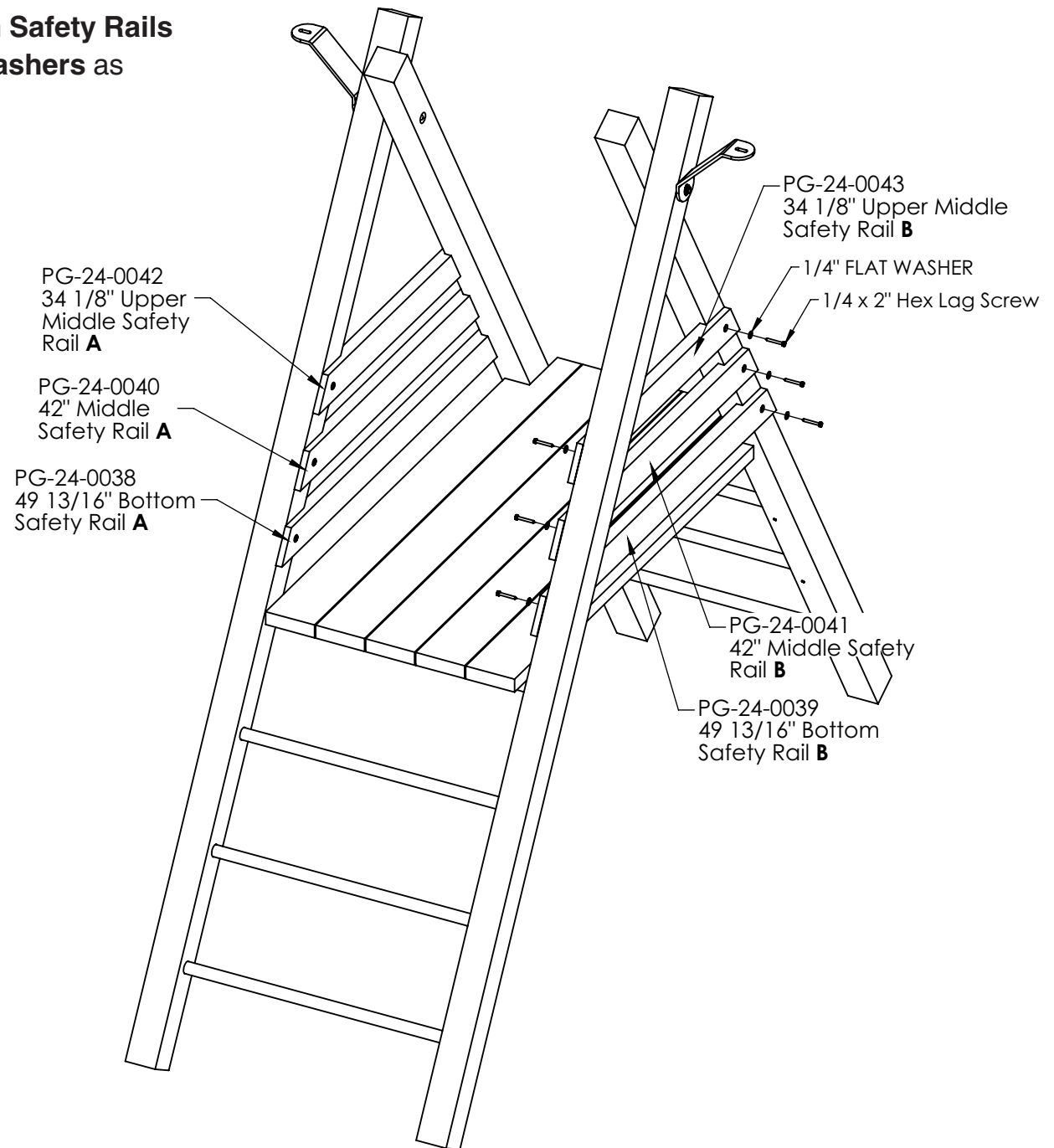
PG-HW-M013
1 1/4" Safety Cup

1/4 x 1" Hex Lag Screw



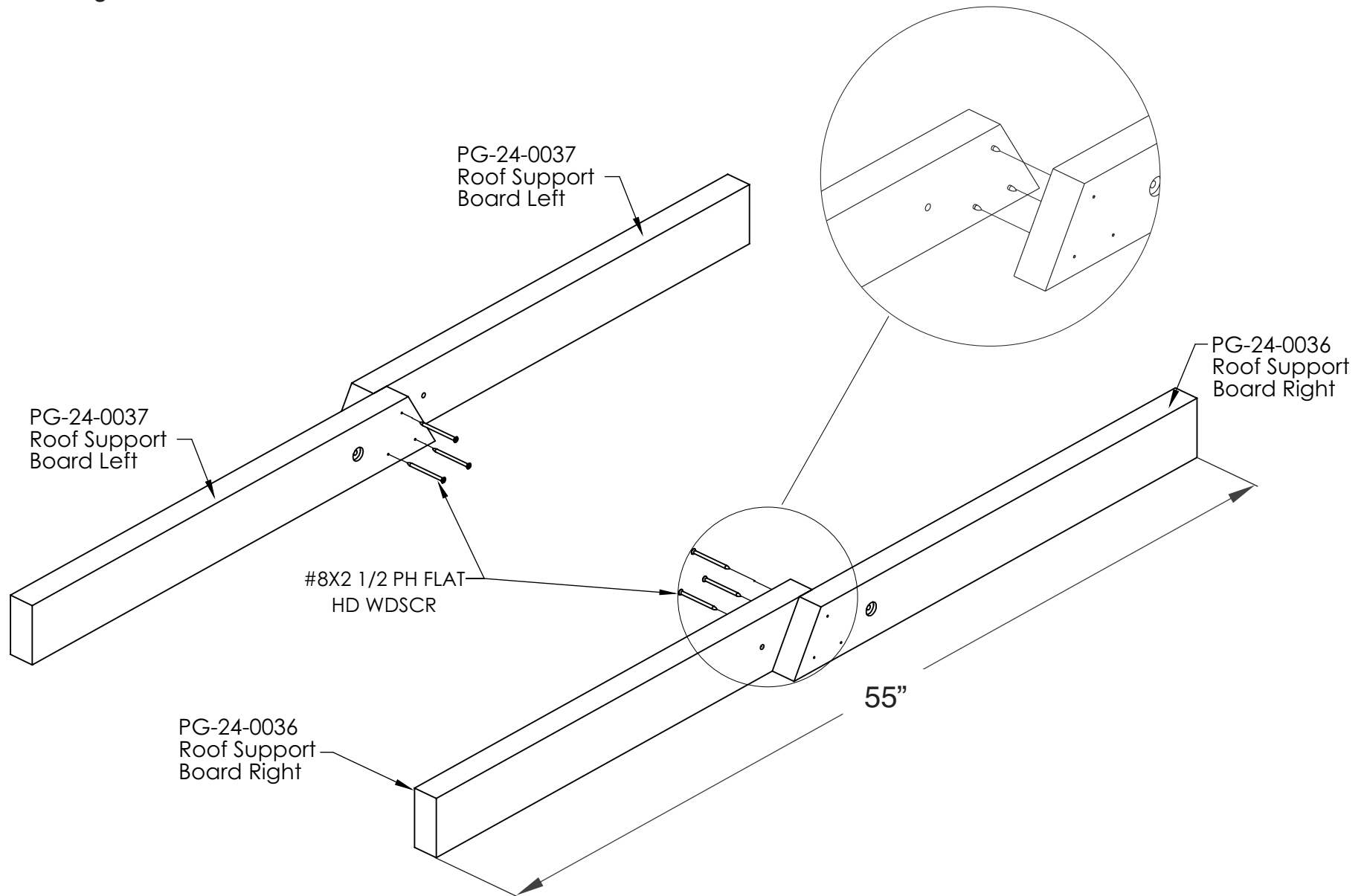
*Bottom View

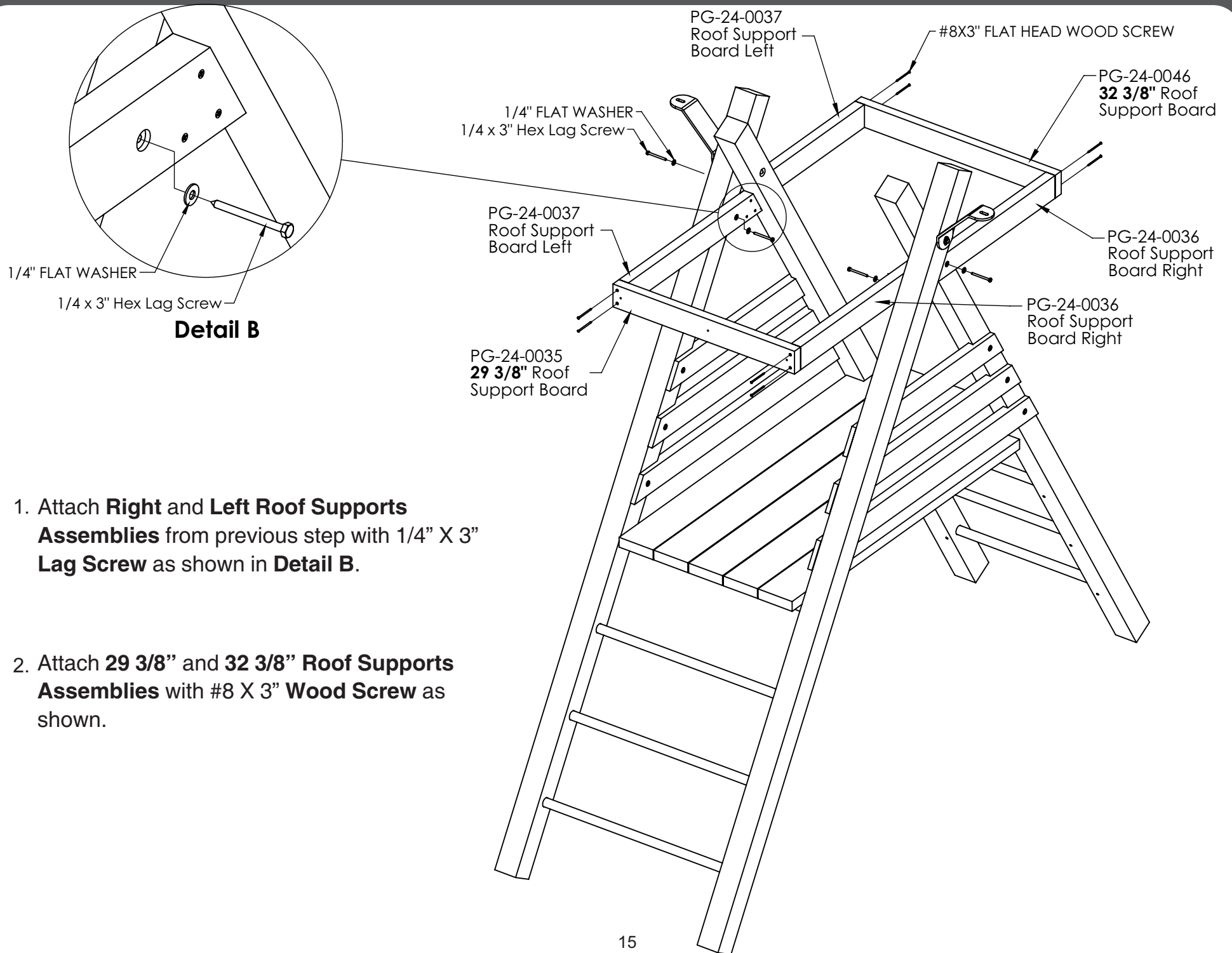
1. Attach Upper, Middle and Bottom **Safety Rails** with 1/4" **Lag Screws** and 1/4 **Washers** as shown.



1. Line up the pre-drilled holes and attach **Left Roof Support Boards** together with **Flat Head Screws** as shown.
2. Line up the pre-drilled holes attach **Right Roof Support Boards** together with **Flat Head Screws** as shown.

Note: For easier assembly you can start the screws and then line them up with the other holes as shown.



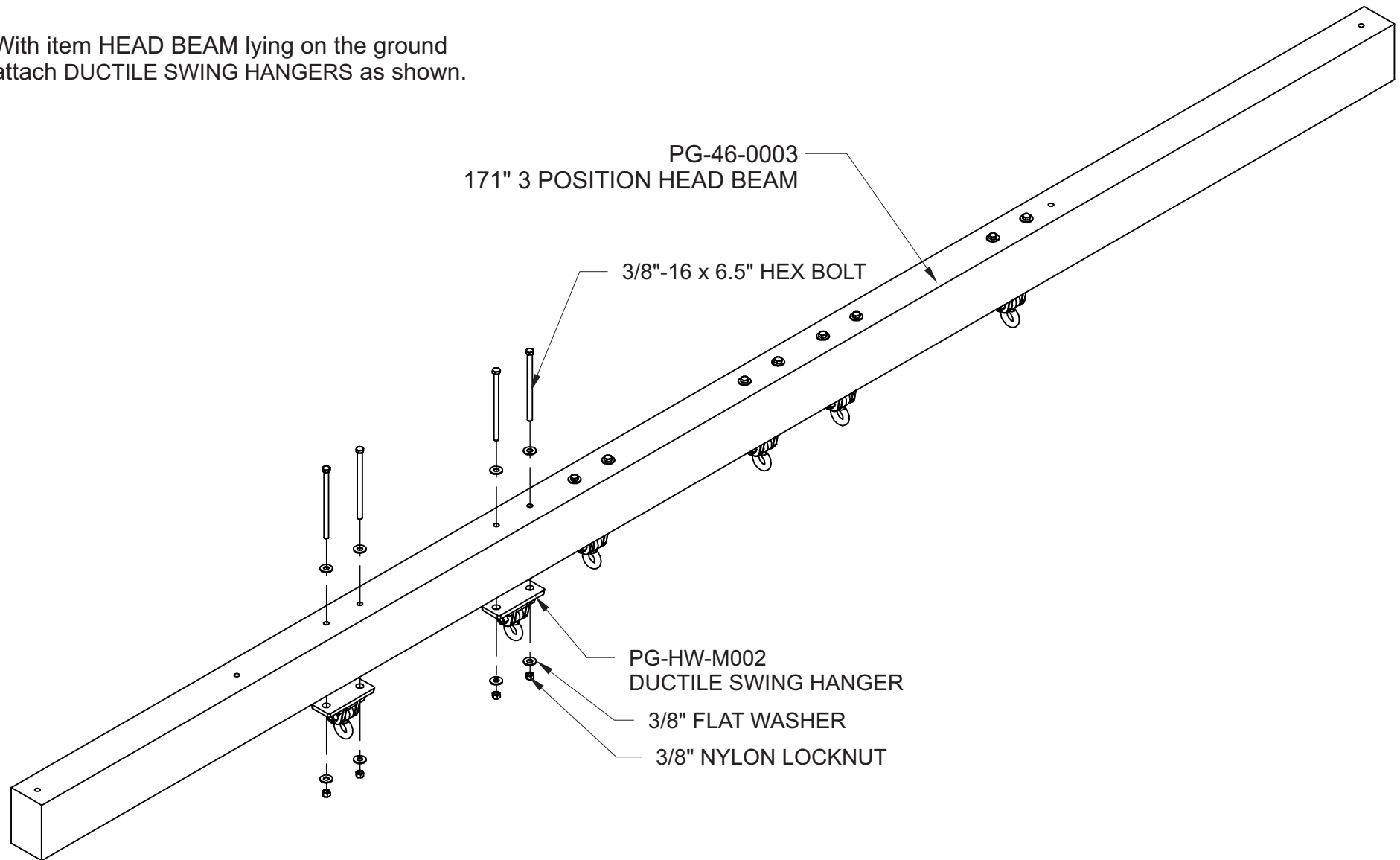


1. Attach **Right** and **Left Roof Supports Assemblies** from previous step with **1/4" X 3" Lag Screw** as shown in **Detail B**.

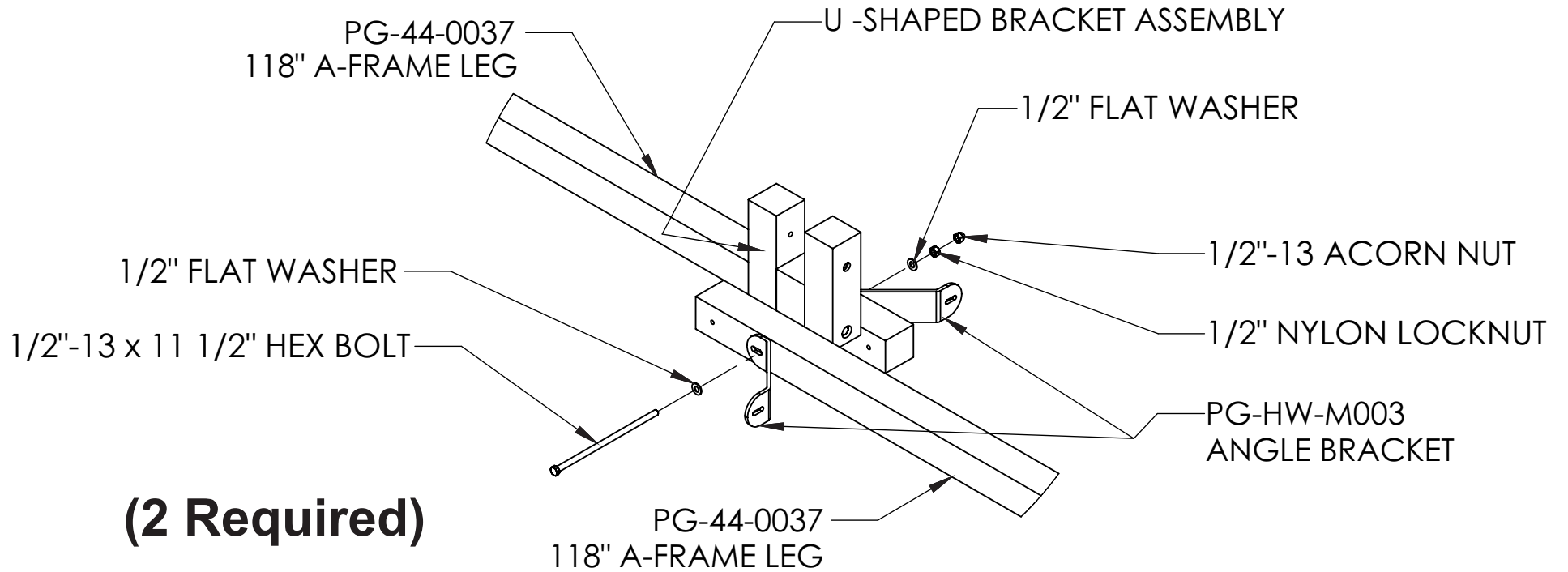
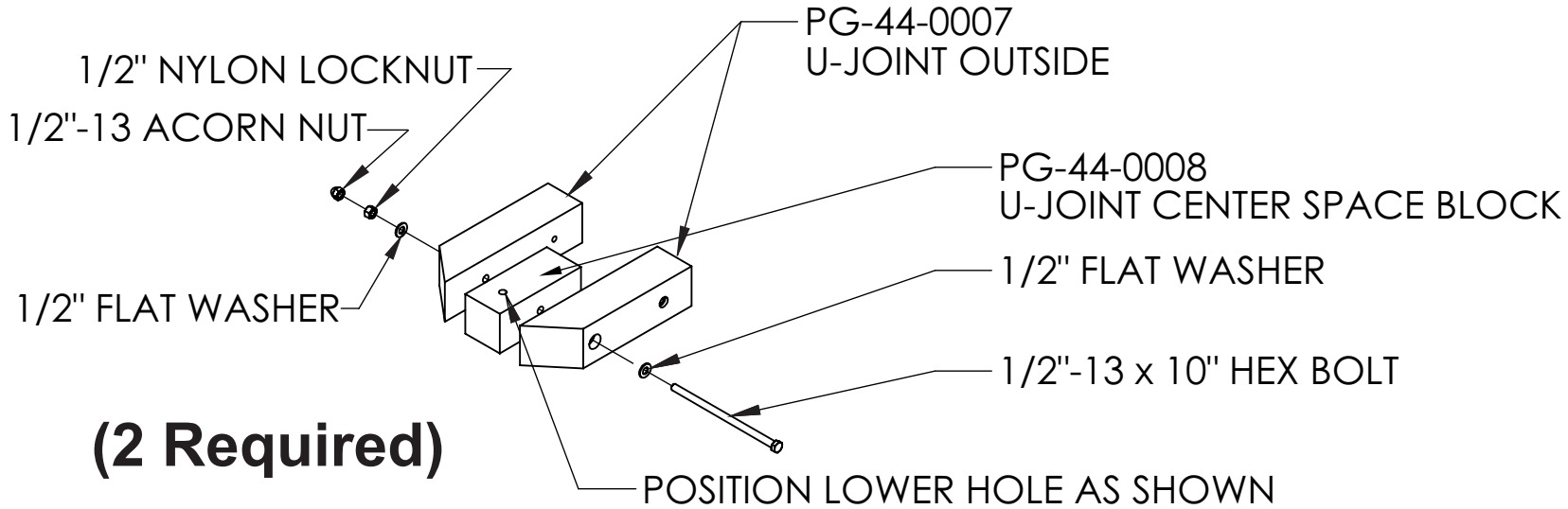
2. Attach **29 3/8"** and **32 3/8"** **Roof Supports Assemblies** with **#8 X 3" Wood Screw** as shown.

SWING-HANGER-ASSEMBLY

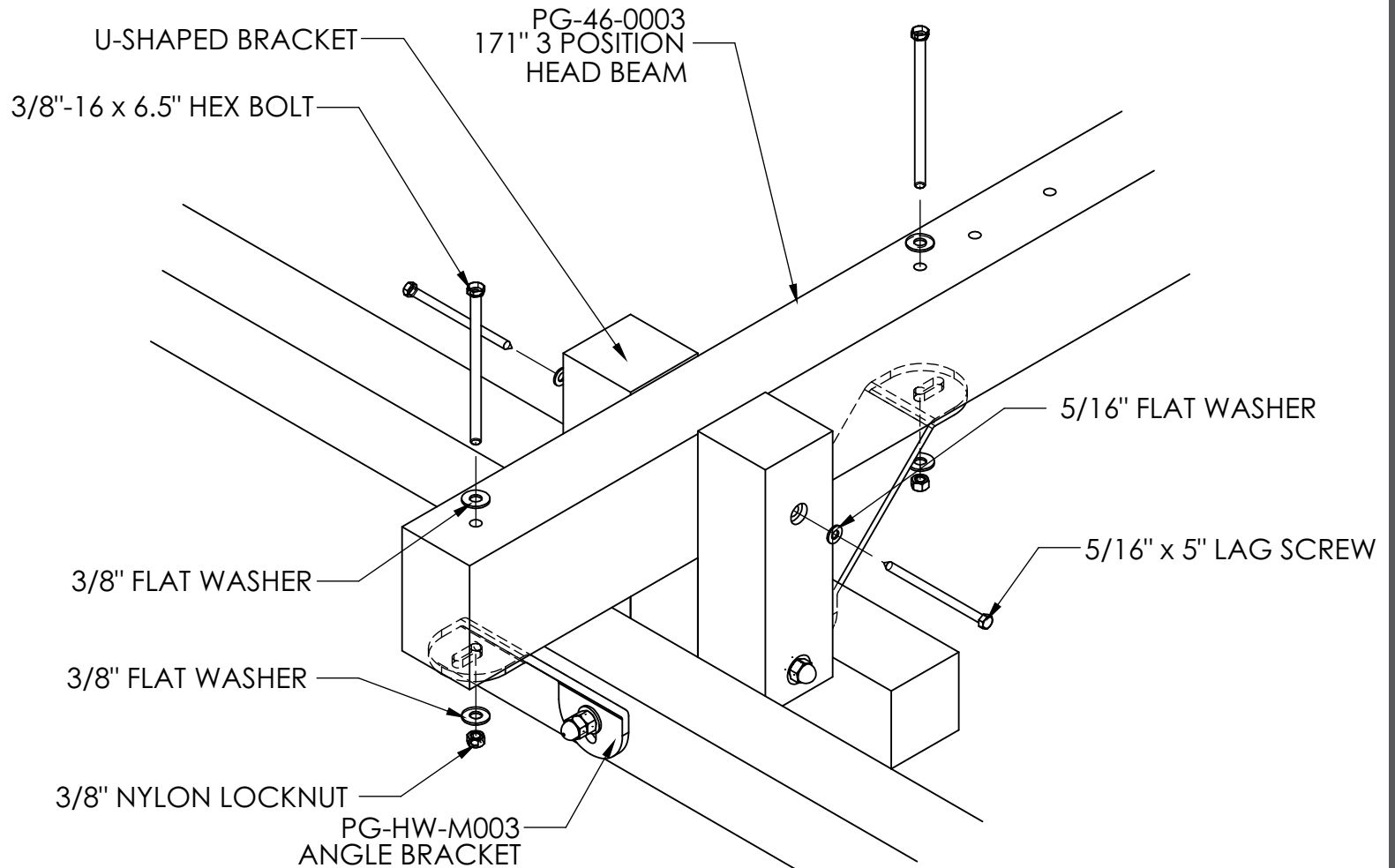
1. With item HEAD BEAM lying on the ground attach DUCTILE SWING HANGERS as shown.



U - S H A P E D B R A C K E T - A S S E M B L Y



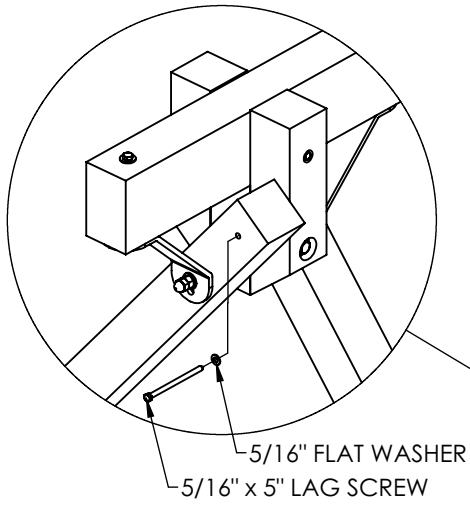
HEAD BEAM TO - A - FRAME - ASSEMBLY



(Prop up the end of Head Beam 6" for it to lay flat in the U-Shaped Bracket)

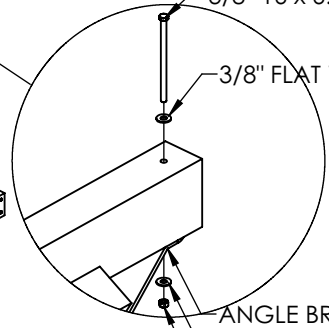
1. Place HEAD BEAM into the U-Shaped Bracket and line up ANGLE BRACKET to the two single holes in the end of HEAD BEAM and attach as shown.
2. When HEAD BEAM is sitting flat in the U-Shaped Bracket, attach with 5/16" x 5" LAG SCREW from each side as shown.

Detail E



5/16" FLAT WASHER
5/16" x 5" LAG SCREW

Detail C



3/8"-16 x 6.5" HEX BOLT
3/8" FLAT WASHER
ANGLE BRACKET
3/8" FLAT WASHER
3/8" NYLON LOCKNUT

PG-44-0037
118" A-FRAME
LEG

PG-44-0037
118" A-FRAME
LEG

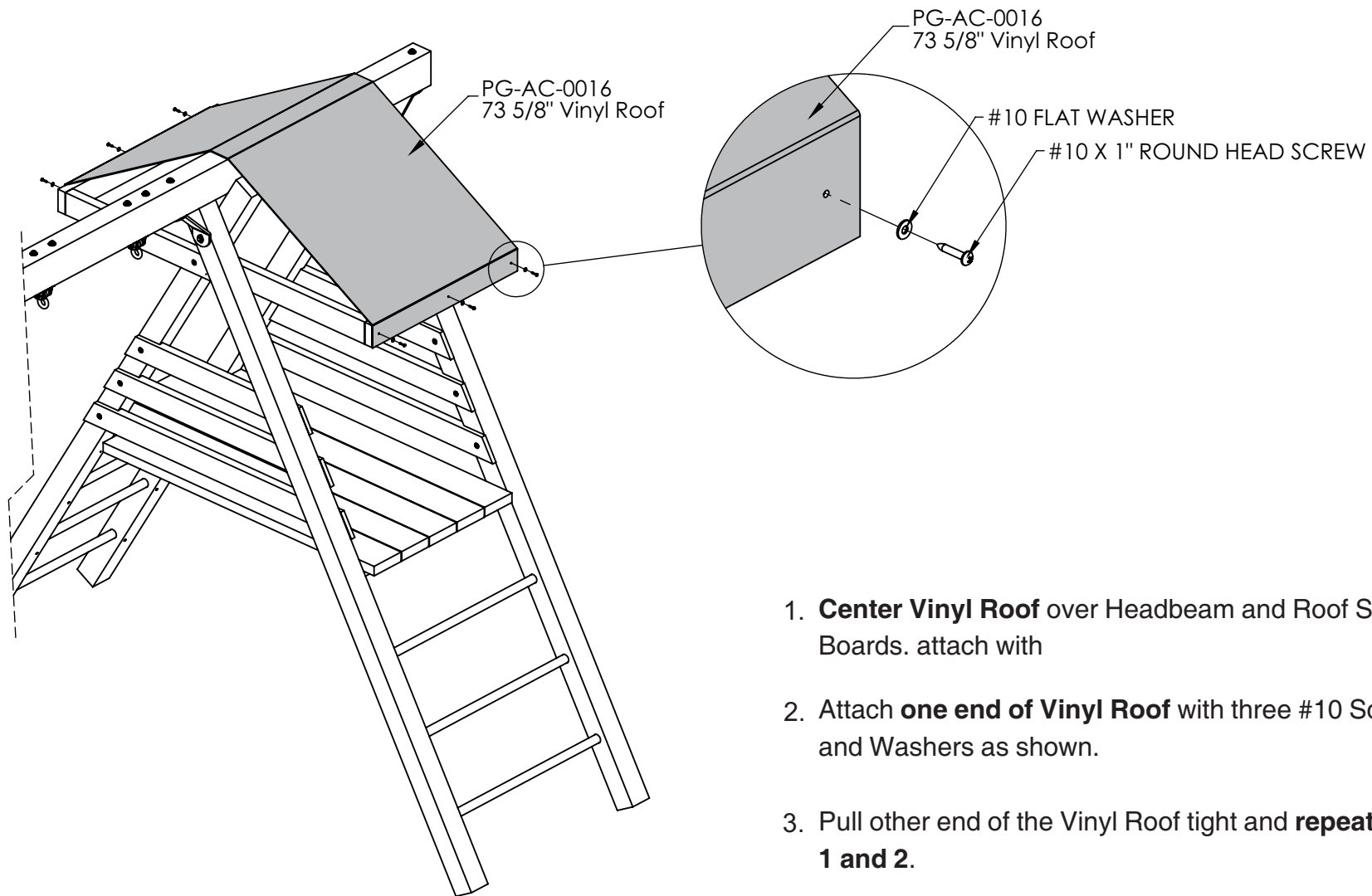
PG-44-0005
65" A-FRAME
CROSSBRACE

3/8" x 6.5" CARRIAGE BOLT
1/2" FLAT WASHER

3/8"-16 ACORN NUT
3/8" STD NUT
3/8" LOCK WASHER
3/8" FLAT WASHER

Detail D

1. With a helper, carefully lift the headbeam while bringing the A-Frame legs together and support the headbeam on the **Main Assembly** at approximately a height of 8 feet and secure as shown in **Detail C**.
2. Place 65" Cross Brace into position between A-Frame Legs as shown. Using a level determine and mark the location of the holes to be made in A-Frame Legs so that the hole in Cross Brace is centered on A-Frame Leg. Mark the location on one side and drill a 3/8" hole in A-Frame Leg. Attach Cross Brace as shown in **Detail D**.
3. Once the A-Frame and the headbeam is attached and level, tighten all bolts and install 5/16" Lag Screw and Washer as shown in **Detail E**.



1. **Center Vinyl Roof** over Headbeam and Roof Support Boards. attach with
2. Attach **one end of Vinyl Roof** with three #10 Screws and Washers as shown.
3. Pull other end of the Vinyl Roof tight and **repeat step 1 and 2.**

Consumer Information Sheet for Playground Surfacing Materials¹

The U.S. Consumer Product Safety Commission (CPSC) estimates that about 100,000 playground equipment-related injuries resulting from falls to the ground surface are treated annually in the U.S. hospital emergency rooms. Injuries involving this hazard pattern tend to be among the most serious of all playground injuries, and have the potential to be fatal, particularly when the injury is to the head.

The surface under and around playground equipment can be a major factor in determining the injury-causing potential of a fall. It is self evident that a fall onto a shock absorbing surface is less likely to cause a serious injury than a fall onto a hard surface. Playground equipment should never be placed on hard surfaces such as concrete or asphalt and while grass may appear to be acceptable it may quickly turn to hard packed earth in areas of high traffic. Shredded bark mulch, wood chips, fine sand or fine gravel are considered to be acceptable shock absorbing surfaces when installed and maintained at a sufficient depth under and around playground equipment.

The following table lists the maximum height from which a child would not be expected to sustain a life-threatening head injury in a fall onto four different loose-fill surfacing materials if they are installed and

maintained at depths of 6", 9", and 12". However, it should be recognized that all injuries due to falls cannot be prevented no matter what surfacing material is used.

It is recommended that a shock absorbing material should extend a minimum of 6' in all directions from the perimeter of stationary equipment such as climbers and slides. However, because children may deliberately jump from a moving swing, the shock absorbing material should extend in the front and rear of a swing a minimum distance of 2 times the height of the pivot point measured from a point directly beneath the pivot point supporting structure.

This information is intended to assist in comparing the relative shock-absorbing properties of various materials. No particular material is recommended over another. However, each material is only effective when properly maintained. Materials should be checked periodically and replenished to maintain correct depth as determined necessary for your equipment. The choice of a material depends on the type and height of the playground equipment, the availability of the material in your area, and its cost.

FALL HEIGHT IN FEET FROM WHICH A LIFE THREATENING HEAD INJURY WOULD NOT BE EXPECTED

TYPE OF MATERIAL	6" DEPTH	9" DEPTH	12" DEPTH
Double Shredded Bark Mulch	6'	10'	11'
Wood Chips	6'	7'	12'
Fine Sand	5'	5'	9'
Fine Gravel	6'	7'	10'

¹This information has been extracted from the CPSC publications "Playground Surfacing—Technical Information Guide" and "Handbook for Public Playground Safety." Copies of these reports can be obtained by sending a postcard to the Office of Public Affairs, U.S. Consumer Product Safety Commission, Washington, D.C. 20207. Or call the toll-free hotline: 1-800-638-2772.

ChildLife[®]

Playsets

Limited Two and Ten
Year Warranties

Subject to proper installation and normal residential use, Escalade Sports warrants, subject to the limitations stated below, to the original retail purchaser, all chain, seats, swing hangers, hardware, metal braces and accessories to be free from defects in material and workmanship for a period of two years from date of purchase. In addition, Escalade Sports warrants all ropes for a period of one year. Cracks in non-functional plastic components are not considered defects in materials and workmanship if they do not affect the functionality of the playset. Merchandise covered under this limited two-year warranty will, at our option, be repaired or replaced, excluding any freight or labor fees that may be required.

In addition, for a period of ten years, which the original purchaser owns the playset, Escalade Sports warrants, to the original retail purchaser, all wooden components against structural failure due to corrosion, wood rot, or insect infestation. **Seasonal checks and surface cracks, knotholes and knots, natural characteristics of all wooden play equipment, not resulting in structural failure, are not covered under this warranty.**

Components covered under this limited ten year warranty will be replaced free of charge excluding freight and labor fees.

Non-residential use of the playset is prohibited and voids the warranty as the playsets are designed for residential use only.

Escalade Sports reserves the right to examine photographs and/or physical evidence of merchandise claimed to be defective, and to recover said merchandise, prior to disposition of warranty claims. Merchandise returned to our factory for examination or recovery must be shipped freight prepaid, unless a Return Authorization Number is issued.

No warranty is offered on equipment subjected to abuse, negligence, improper installation, vandalism, acts of God, unauthorized alteration or attachment to equipment other than our own, or improper use, service or repair by customer or any third party. Escalade Sports assumes no responsibility for incidental or consequential damages which may arise from the purchase or use of our equipment. Please supervise your children's play activity and maintain your play equipment periodically.

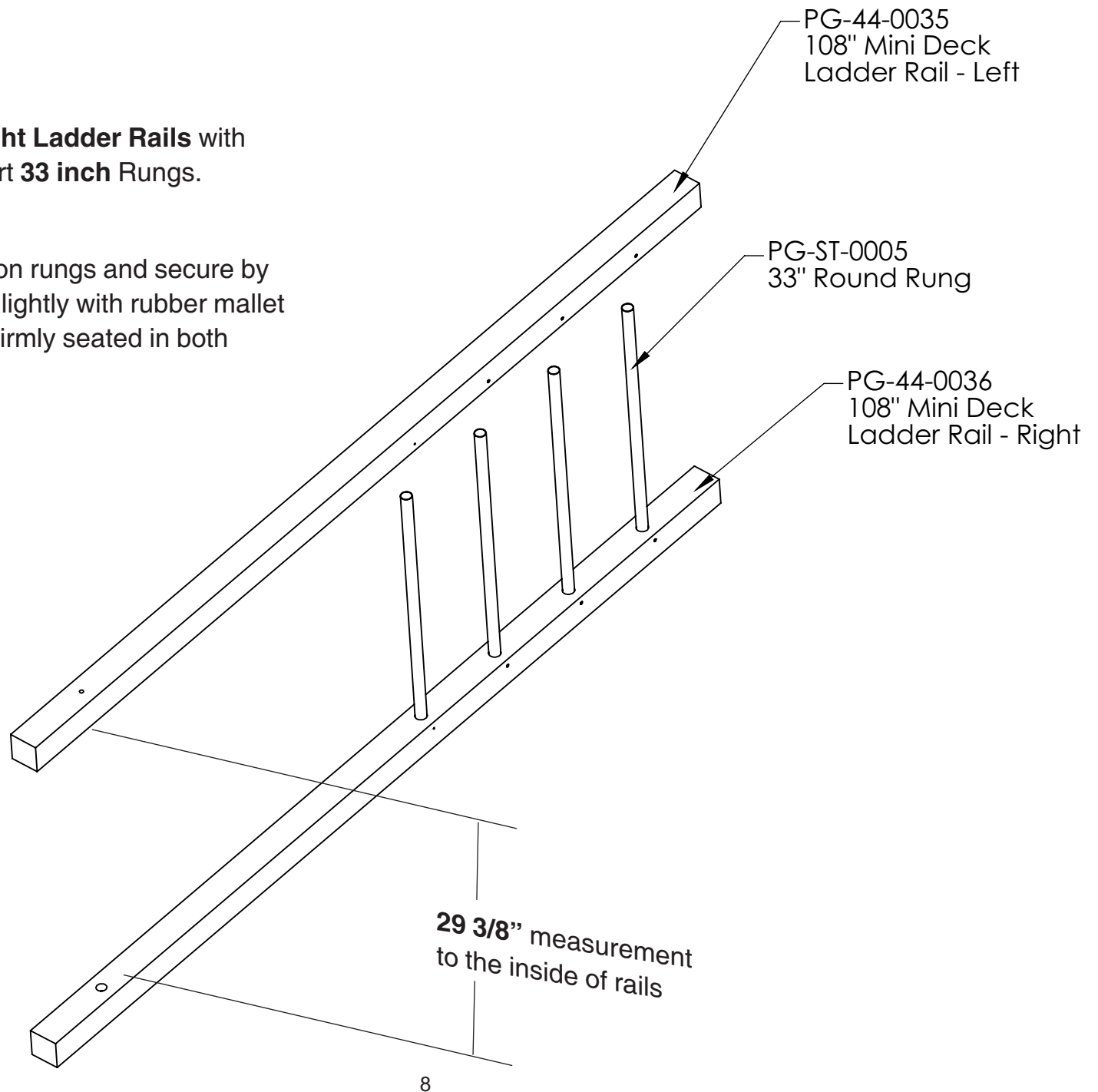
THIS WARRANTY IS EXPRESSLY IN LIEU OF ALL OTHER WARRANTIES, EXPRESSED OR IMPLIED, INCLUDING WARRANTIES OF MERCHANTABILITY OR FITNESS FOR USE. OASIS PLAYSETS DOES NOT ASSUME, OR AUTHORIZE ANY PERSON TO ASSUME FOR US, ANY OTHER LIABILITY IN CONNECTION WITH THE SALE OF OUR PRODUCTS.

For warranty service, contact:

**Childlife Playsets
Escalade Sports
P.O. Box 889
Evansville, IN 47706
1-800-GO-SWING**

Or E-Mail us at: playgroundcs@escaladesports.com

1. On a flat Surface lay **Right Ladder Rails** with holes facing up and insert **33 inch Rungs**.
2. Place **Left Ladder Rail** on rungs and secure by tapping Left Ladder Rail lightly with rubber mallet ensuring that rungs are firmly seated in both Ladder Rails.



1. On a flat Surface lay **Left Ladder Rails** with holes facing up and insert **26 inch Rungs**.

2. Place **Right Ladder Rail** on rungs and secure by tapping **Right Ladder Rail** lightly with rubber mallet ensuring that rungs are firmly seated in both Ladder Rails.

