

# Installation Instructions

## Cleansing Seat

Record your model number:

Noter le numéro de modèle:

Anote su número de modelo: \_\_\_\_\_

Français, page 12

Español, página 22

**KOHLER**®

# Thank You for Choosing KOHLER

---

**Need help?** Contact our Customer Care Center.

- USA/Canada: 1-800-4KOHLER (1-800-456-4537)
- Mexico: 001-800-456-4537
- **For service parts information**, visit [kohler.com/serviceparts](http://kohler.com/serviceparts).
- **For care and cleaning information**, visit [kohler.com/clean](http://kohler.com/clean).
- **Patents:** [kohlercompany.com/patents](http://kohlercompany.com/patents)

**Share your experience!** Customer delight and a gracious product experience is our top priority and we want to know how we did. Post a review on the [kohler.com](http://kohler.com) product page for your product or on the website where you purchased your product.

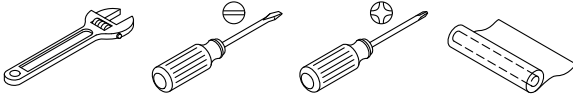
## Warranty

---

This product is covered under the **KOHLER® Toilets and Seats Limited Warranty**, found at [kohler.com/warranty](http://kohler.com/warranty). For a hardcopy of warranty terms, contact the Customer Care Center.

## Tools and Materials

---



Plastic Wrap

## Before You Begin

---



**WARNING: Risk of scalding.** High water temperature can cause severe burns. Do not connect this device to a water supply with a maximum temperature above 104°F (40°C).



**CAUTION: Risk of property or product damage.** Pushing or pulling on the water connection may cause water leakage.



**CAUTION: Risk of product damage.** Do not apply excessive force to the spray wands.



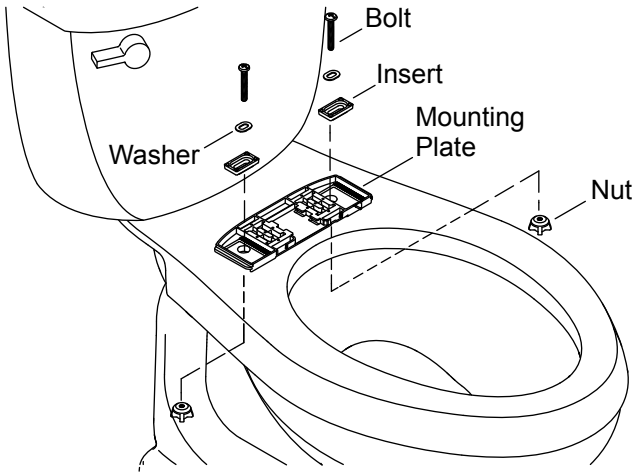
**CAUTION: Risk of product damage.** In areas where water may freeze in the pipes, make arrangements to keep the pipes warm. Any water remaining in the seat may freeze during winter storage. Allow the unit to warm to room temperature before reinstalling or using.

Follow all local plumbing and building codes.

Connect the seat to a cold water supply of drinking quality with a pressure of 20 psi (139 kPa) - 80 psi (551 kPa).

# 1. Install the Mounting Plate

---



- Position the mounting plate over the mounting holes on the bowl.
- Position the left and right inserts in the grooves on the mounting plate.

## **Toilets with Threaded Mounting Holes**

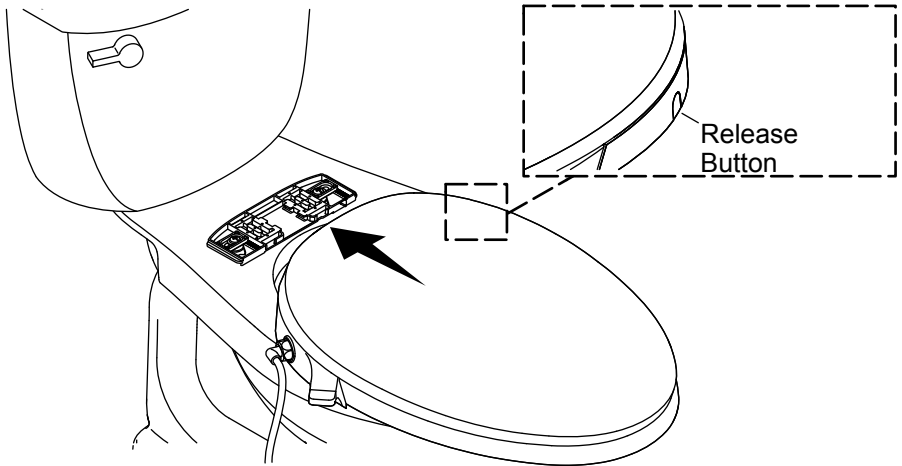
- Insert the bolts through the inserts and thread into the mounting holes.
- Do not fully tighten at this time.

## **All Other Installations**

- Insert the bolts through the inserts and into the mounting holes.
- Thread a nut onto each bolt.
- Do not fully tighten at this time.

## 2. Install the Seat

---



### Position the Seat

- Slide the seat onto the mounting plate until you feel it snap into place.
- Check the positioning of the seat. Adjust the position as needed until the seat aligns with the front edge of the bowl.

### Adjust the Seat

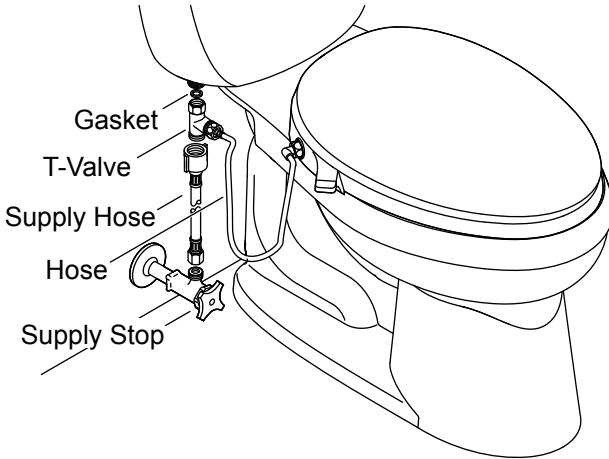
- Remove the seat by pressing in the release button and sliding the seat forward.
- Reposition the mounting plate as needed.

### Secure the Seat

- Securely tighten the mounting plate bolts and nuts.
- Slide the seat onto the mounting plate until you feel it snap into place.

### 3. Connect the Water Supply

---



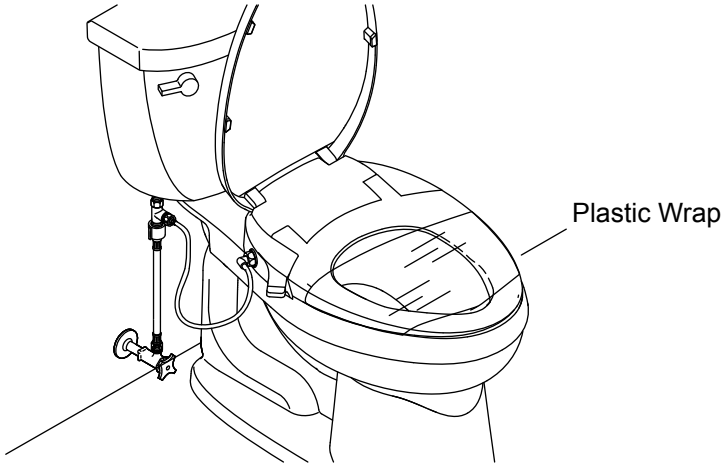
**CAUTION: Risk of property or product damage.** Pushing or pulling on the water connection may cause water leakage.

**NOTICE:** Use care to avoid cross-threading or overtightening the connections. Use an adjustable wrench to tighten one-quarter turn past hand-tight.

- Connect the T-valve to the seat hose.
- If needed, connect the supply hose to the supply stop.
- Connect the supply hose to the T-valve.
- Verify that the gasket is installed inside the T-valve.
- Connect the T-valve to the water inlet on the toilet tank.
- Turn ON the water supply.
- Check all connections for leaks, and make adjustments as needed.

## 4. Check the Installation

---

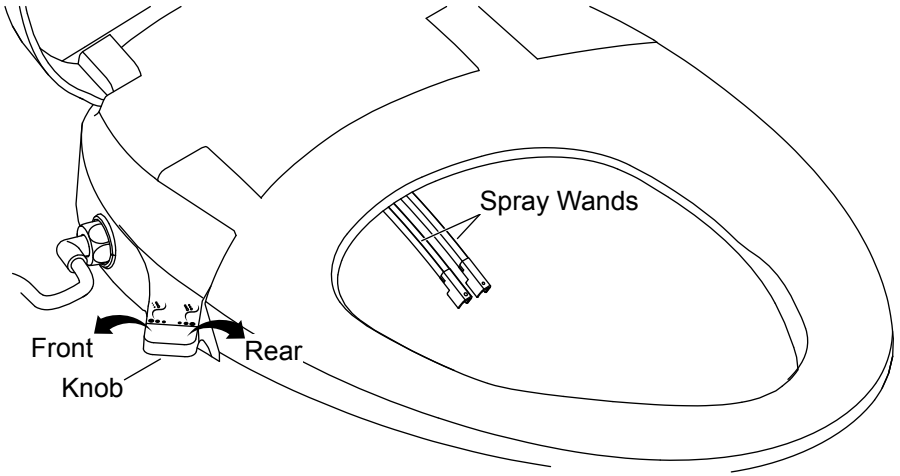


**NOTE:** Covering the seat with plastic wrap is optional. The features can be tested while sitting on the cleansing seat or covering the wand with your hand.

- Wrap the seat with plastic wrap. This will prevent water from spraying beyond the toilet while testing.
- Refer to the “Operation” section to test the features.

# Operation

---



## Front Wash

- Twist the knob counterclockwise to activate the front wash feature and adjust the front wash water pressure.

## Rear Wash

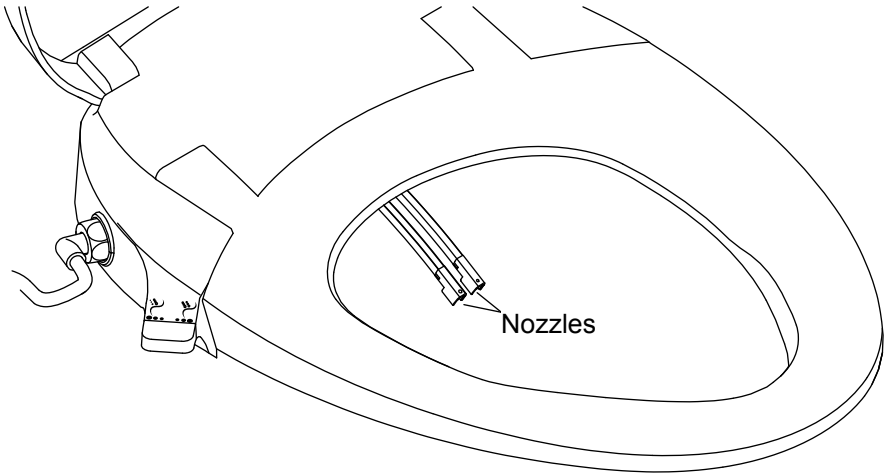
- Twist the knob clockwise to activate the rear wash feature and adjust the rear wash water pressure.

## Stop

- Restore the knob to the default position to stop the front/rear wash.

## Cleaning the Wands

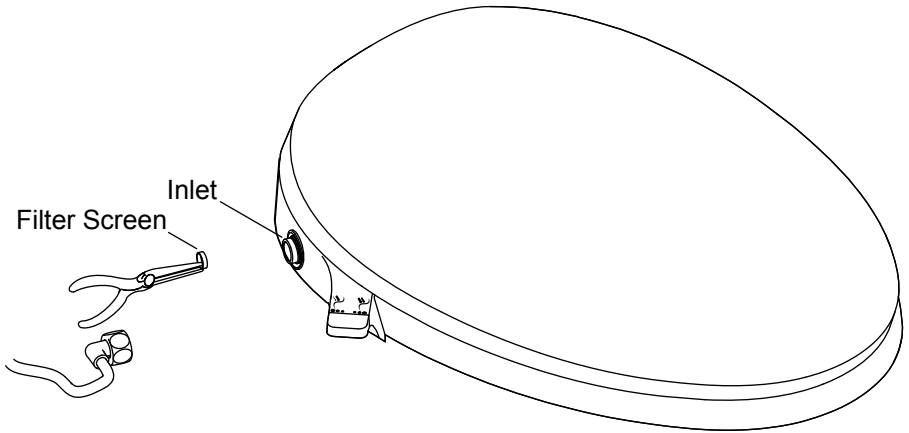
---



- Raise the lid and seat.
- Manually extend one of the spray wands.
- Firmly grip the wand, then pull the nozzle and remove.
- Clean the nozzle with a soft-bristled brush and hot water.
- With the outlet holes facing up, grasp the wand and firmly push the nozzle back into place.
- Repeat for the remaining spray wand.

# Cleaning the Filter Screen

---



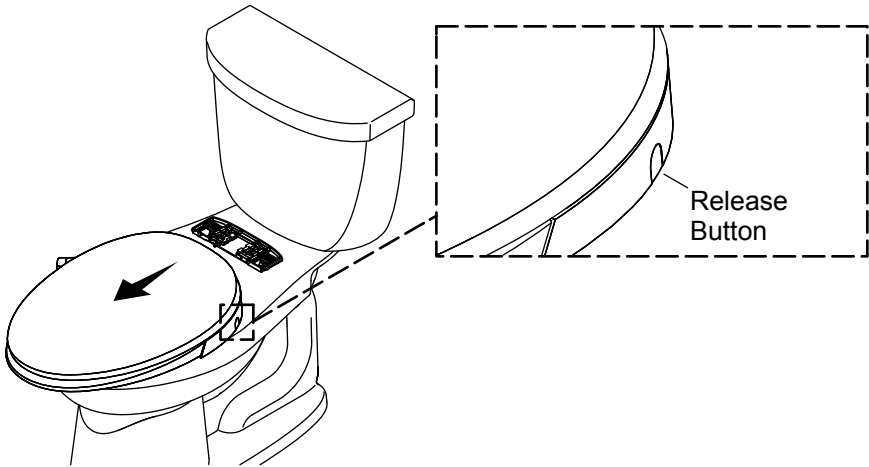
**CAUTION:** Risk of product damage. Do not cross-thread the hose connection to the inlet.

**NOTE:** Clean the filter screen every 6 months or when there is a reduction in the maximum water flow from the spray wand.

- Turn OFF the water at the supply stop.
- Disconnect the water supply hose from the seat connection.
- Using long-nosed pliers, carefully remove the filter screen from the inlet.
- Clean the filter screen with a soft-bristled brush.
- Reinstall the filter screen.
- Reconnect the water supply hose to the inlet, one-quarter turn past hand-tight.
- Turn ON the water supply.
- Check all connections for leaks, and make adjustments as needed.

# Removing the Seat

---



**IMPORTANT!** When removing the seat for cleaning, take care to avoid exerting any force on the hose connections.

## For Cleaning

- Press and hold the release button.
- Slide the seat forward to remove. Avoid putting pressure on the hoses.
- Clean the area as needed.
- To reinstall, slide the seat on the mounting bracket.

## For Servicing

- Turn OFF the water at the supply stop.
- Flush the toilet to relieve any pressure from the supply hose.
- Disconnect the water supply hose from the T-valve.
- Slide the seat forward to remove.
- When servicing is complete, reinstall the seat and reconnect all components.