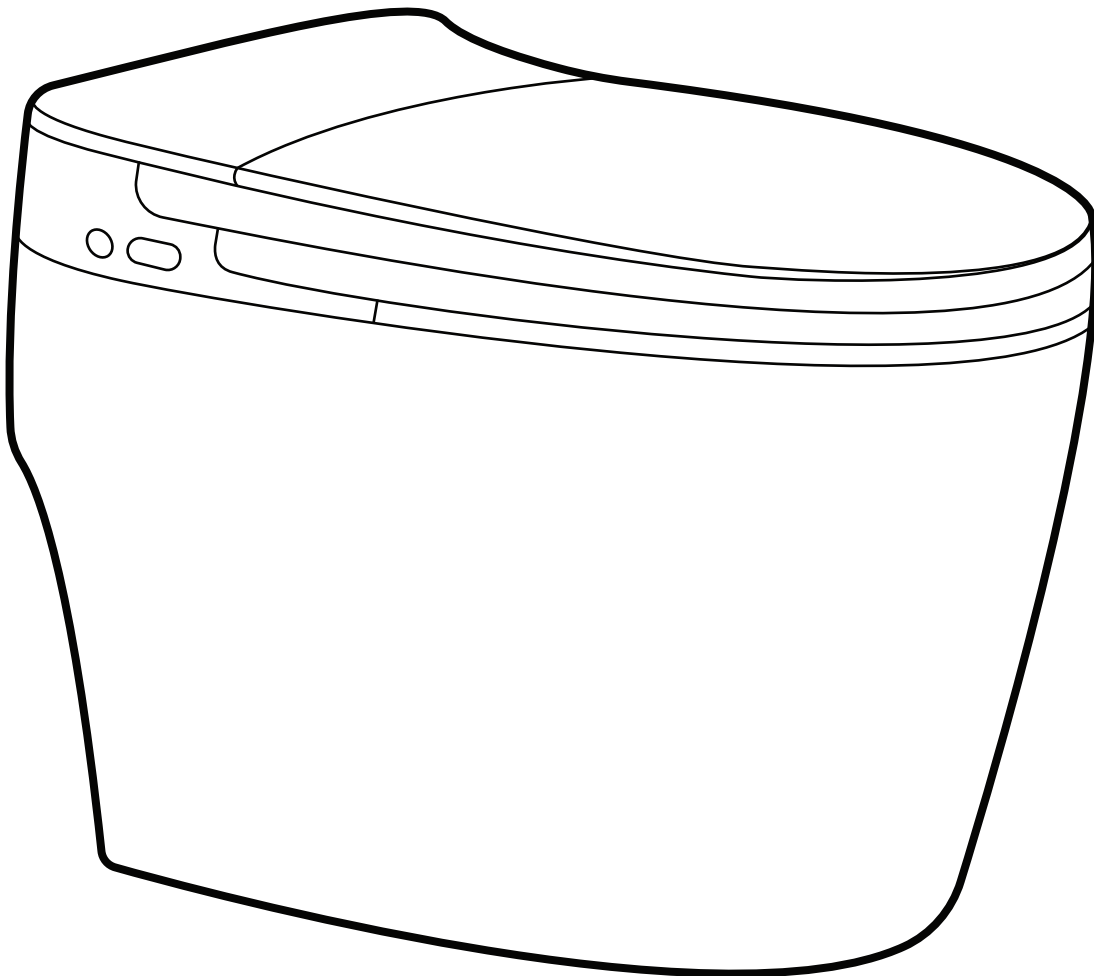


Smart Toilet

USER MANUAL





PRIOR TO INSTALLATION:

- Inspect toilet to ensure no damages have occurred while in shipping.
- Observe all plumbing and building codes in accordance with your state and local requirements.
- All dimensions are nominal! Be sure to measure your toilet prior to installation.
- The step-by-step guidelines in the installation instructions are a general reference. Should there be any discrepancies, Swiss Madison cannot be held liable. It is recommended to install all Swiss Madison products by hiring a licensed professional.
- Read installation and maintenance instructions thoroughly before installing. Be sure to use proper tools and always wear proper personal safety accessories for your protection.
- Two people are recommended to handle and install this product as it is fragile.

QUESTIONS OR CONCERNS?

Please contact us:

1-434-623-4766

info@swissmadison.com

INCLUDED PARTS:



Smart Toilet



Flange Ring



Remote

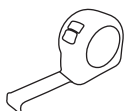
SUGGESTED TOOLS & MATERIALS:



Safety Glasses



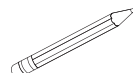
Glue Gun



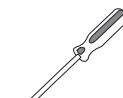
Tape Measure



Wrench



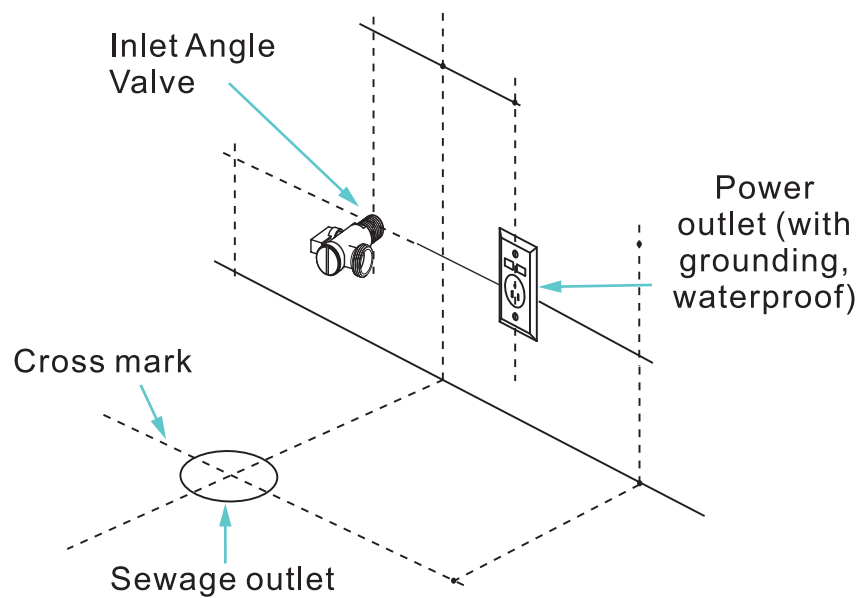
Marker



Screwdriver

INSTALLATION PREPARATIONS:

- Make sure that the floor tiles and the wall tiles have been paved, and that a pit tube and a water supply pipe are reserved.
- Reserve the installation position according to the dimensions given in the figure below (symbols * refer to the recommended dimensions) to ensure normal use of the water supply pipe.
- Make sure the distance between center of the pit tube and the wall, i.e., the pit distance, matches with the product.
- Turn on the water supply switch to drain water to flush away the mud and other foreign matters in the reserved water pipes to avoid blockage of the water pipes..



Be sure to set the power outlet as follows:

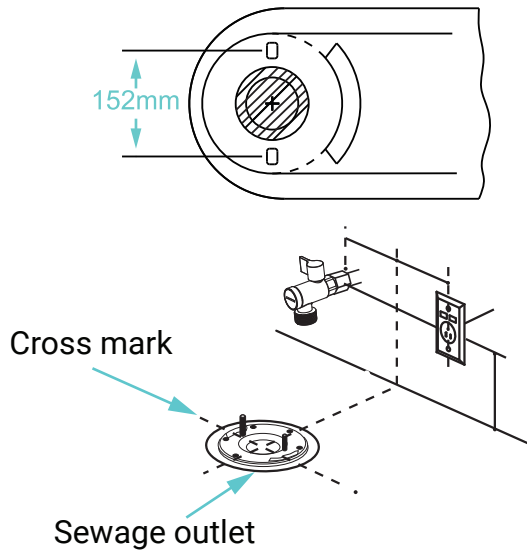
1. Confirming that the power socket used is handled by proper grounding.
2. The length of the power cord is 5 feet, and the location of the socket should be close to this product to facilitate installation and removal, and as far away from the bathtub as possible.
3. It is recommended to use a waterproof type socket, do not use an extension cord to connect this product.
 - May cause fire or electric shock.



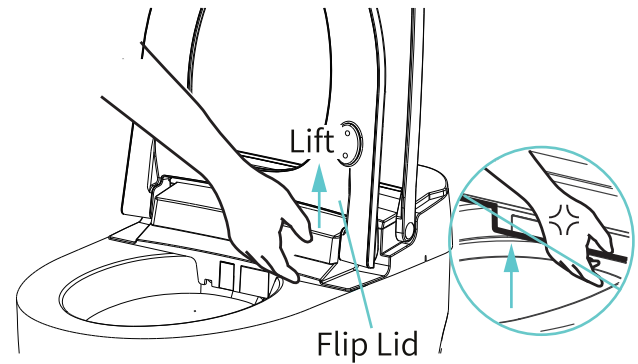
Warning

INSTALLATION:

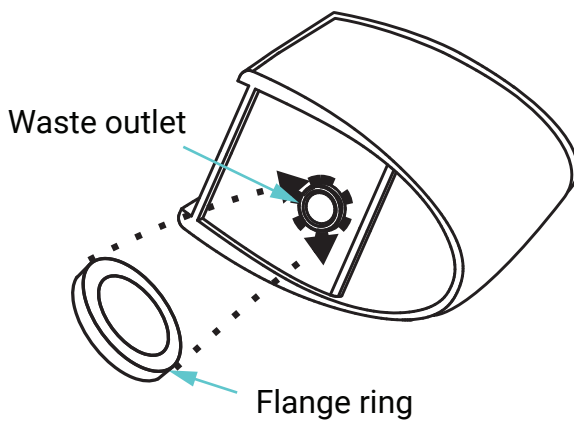
- 1** • For the bathroom newly installing a toilet, a flange with bolt shall be added.



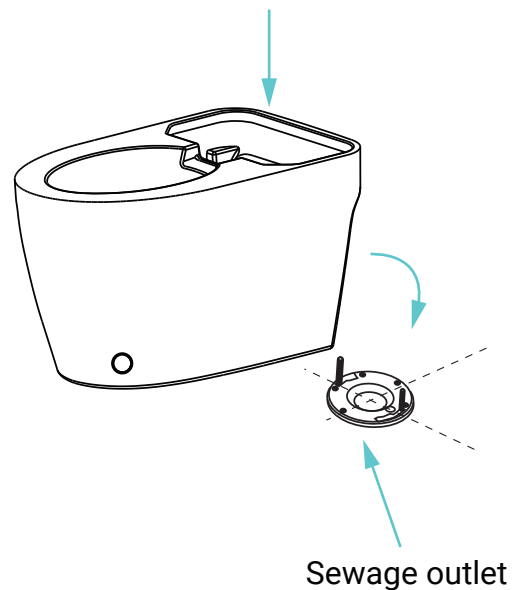
- 2** • Lift the flip lid assembly from the toilet, up from the inside.



- 3** • Install the flange ring on the ceramic bottom drain and make a tight connection.

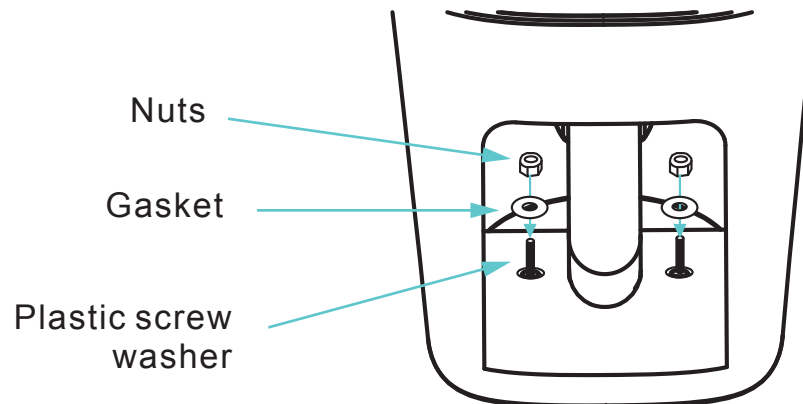


- 4** • Two people lift the ceramic, align the bolts to the holes on the bottom of the ceramic. Gently press the bowl down to ensure a strong seal with the wax ring.



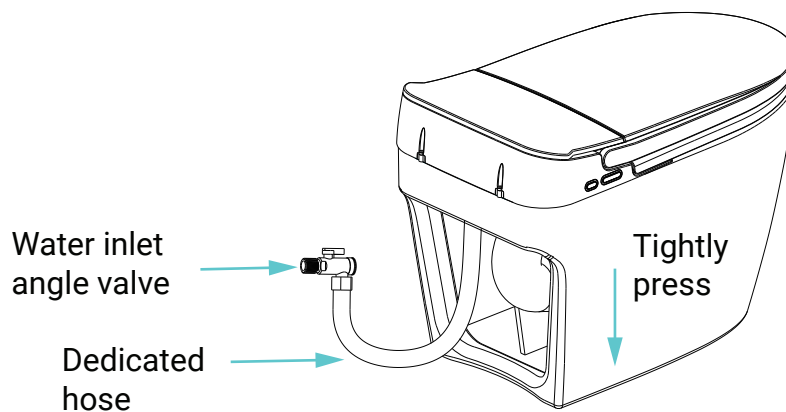
5

- Use a spanner to lock the nut and other accessories to the retaining bolts (from the top).
Note: Do not move the ceramic body or rock it from side to side after the mark have coincided.
- With the seat removed, tighten the floor bolts. After tightening, attach the seat for final installation



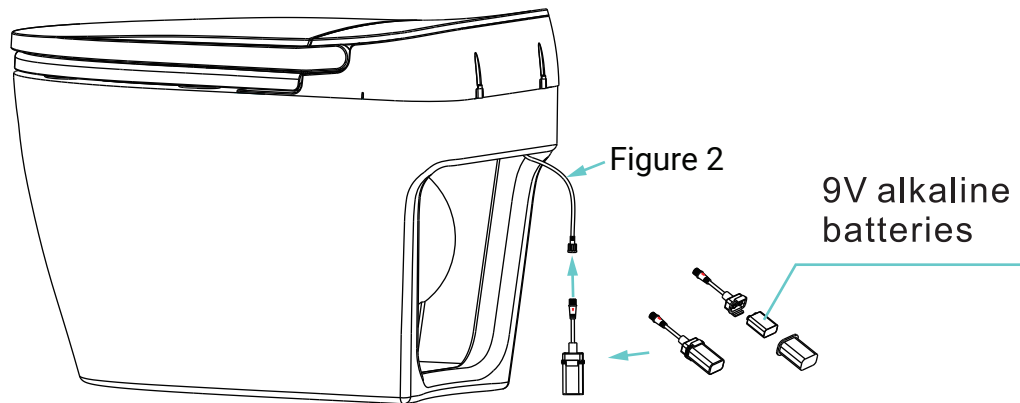
6

- Install the water inlet angle valve.
Note: Installation of water inlet angle valve before depending on the water quality must be drained for 2 to 5 minutes.



BATTERY INSTALLATION:

1. Find figure 2 to install the battery into the battery box.
2. Insert a new battery in the direction of the arrow and tighten the waterproof cap clockwise.
3. Press the flush button to make sure it flushes properly.

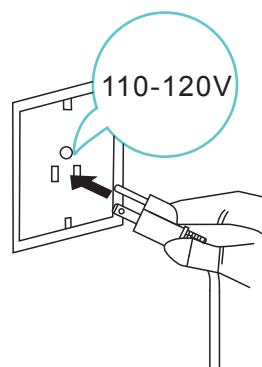


Warning

1. The intelligent toilet accessories have been debugged and are strictly prohibited for personal disassembly.
2. Please use the fittings and hoses provided by our company. Old fittings and hoses cannot be reused.

CONNECT POWER CORD:

1. Power cord must be connected to a AC110-120V, 50/60 Hz, 16A+, grounded GFI power socket.
2. Wait for the unit to finish self-inspection after connected. It is normal that user see side button flash blue, nozzle stretch out, machine engage on flash sound.
3. User should do a trial run after self-inspection is done.



CHECKLIST AND TRIAL RUN:

- Power plug is securely connected to a grounded AC110-120V, 16A, 50/60 Hz GFI power source.
- Water valve is turned on
- All connection points are securely fastened
- No water leakage
- Power indicator on the unit is on
- Perform all functions with remote control and side buttons (place one hand on the sensor area on the seat to activate certain cleansing functions, place a plastic sheet between the seat and toilet bowl to avoid water spraying out of the bowl)
 - Front and rear wash
 - Massage
 - Water temperature
 - Water pressure
 - Nozzle position
 - Nozzle self-cleansing
 - Air dryer
 - Air temperature
 - Seat temperature
 - Flushing

A trial run is mandatory for safety purposes, if any malfunction has occurred, contact us.

ONE YEAR LIMITED WARRANTY

Swiss Madison® products are made with quality materials and excellent craftsmanship to provide our customers with beautiful, durable, long-lasting products. Should there be any defects in materials or craftsmanship under regular use that are discovered within the first year of installation, Swiss Madison® will provide replacement parts at no charge, or at its discretion, replace any product or part of the product that is deemed defective, under normal installation, use, service or maintenance. This warranty applies only to the original purchaser. Proof of purchase will be required in the instance of a claim.

Swiss Madison® recommends all installations of Swiss Madison® products to be conducted by a licensed, professional plumber or contractor. Swiss Madison® will not be held responsible for any damage or product failure due to improper installation, misuse, or failure to utilize a licensed professional for installation. Swiss Madison® is not responsible for any installation or removal costs.

THIS ONE YEAR LIMITED WARRANTY WILL BE VOIDED IF:

- The installation recommendations were not followed by the installer
- The product has been moved from its initial place of installation
- The product has in any way been modified from its packaged state
- The product has been subjected to improper maintenance, abuse, misuse, excessive use of chemicals, accidents, or other damages, etc.

Swiss Madison® makes no implication that its products comply with any local building or plumbing codes. It is the consumer's responsibility and obligation to determine local code compliance prior to and during installation. This warranty extends only to the original purchaser and first consumer.

Swiss Madison® is not responsible for any special, incidental or consequential damages associated with the installation, replacement, return or use of the original purchaser's product. This includes, but is not limited to: freight costs, labor, travel time, lost profit, home damages and other contingent liabilities and costs (including, without limitation, costs associated with 'professionals' or 'experts', investigations, audits, analyses, attorneys and any other professional/hired services).

The Swiss Madison® warranty is a comprehensive and explicit limit of liability. All items not disclosed within the warranty are not addressable within the responsibility of Swiss Madison®. Certain states have variances regarding implied warranties; in those situations, we remain fully compliant.

QUESTIONS OR CONCERNS?

Please contact us directly at 1-434-MADISON (623-4766)



WARNING:

Contents of your order may contain sharp and possibly other harmful pieces and may cause hazard to children and adults. Swiss Madison® is not responsible in any way for personal damages.