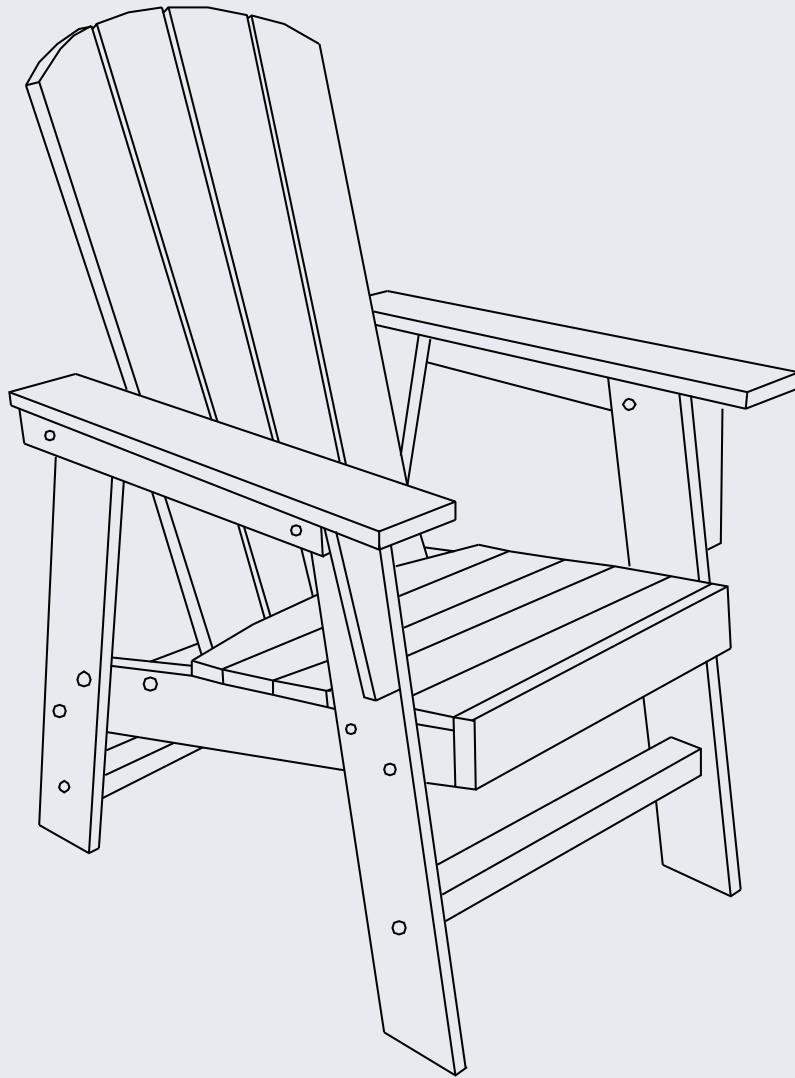


INSTRUCTION MANUAL



Kids Outdoor Poly Adirondack Chair

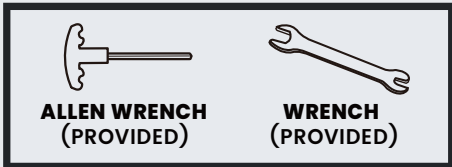
V1.0

! NOTICE

Do not overtighten screws. (Insert all screws before tighten screws.)

- Be careful when assembly, avoid hurting the top surface.
- Clean the table with lukewarm water, mild detergent & soft cloth.
- Firmly secure all bolts before use, do not use any part of this item as a step ladder.
- Reconfirm that all bolts, screws, and nuts are secure every 90 days.
- Do not use or store this item in the proximity of open flame or flammable/combustible chemicals.
- Be aware that some parts are heavy and have sharp edges.
- Do not overtighten screws. (Insert all screws before tighten screws.)
- Please do not exceed the weight limitations of this item.

TOOLS REQUIRED



CHAIR
300 LBS
CAPACITY

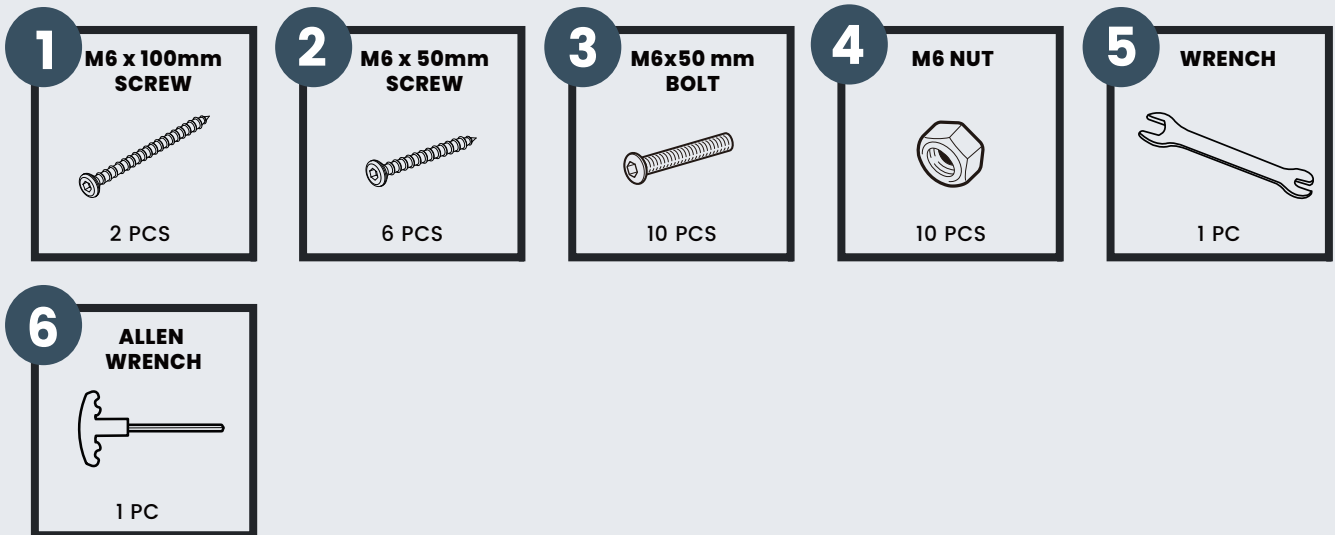


1 PERSON
ASSEMBLY

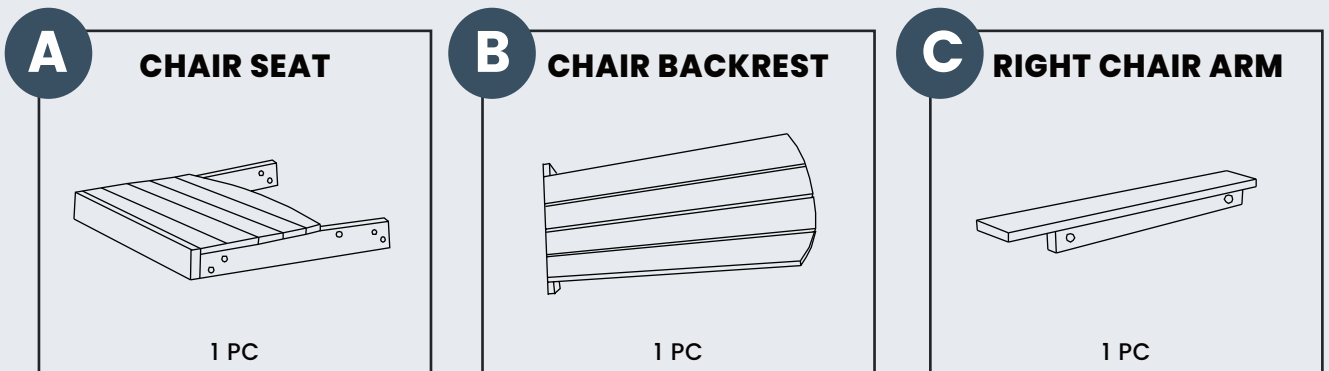


UP TO 20 MIN.
ASSEMBLY

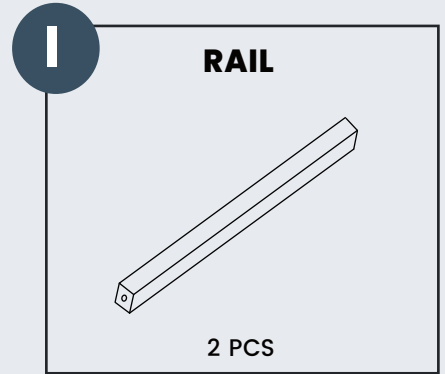
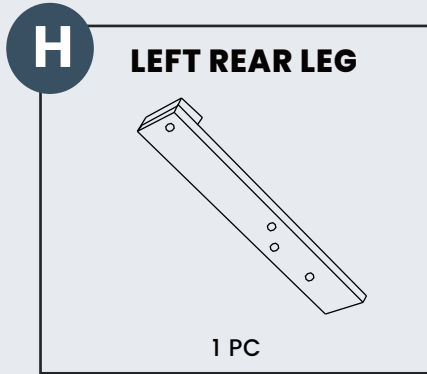
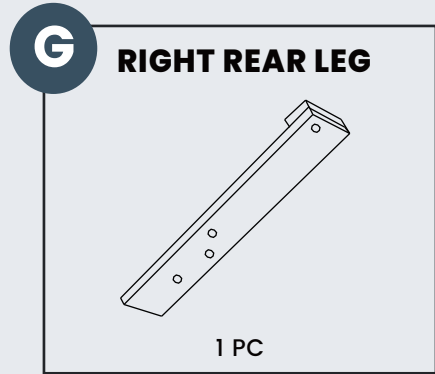
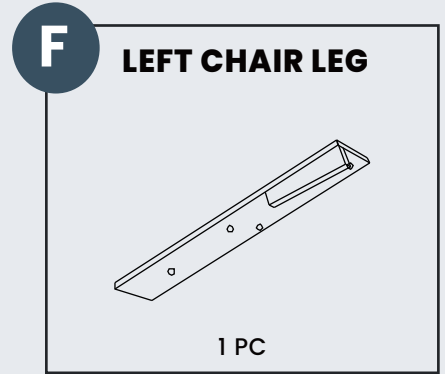
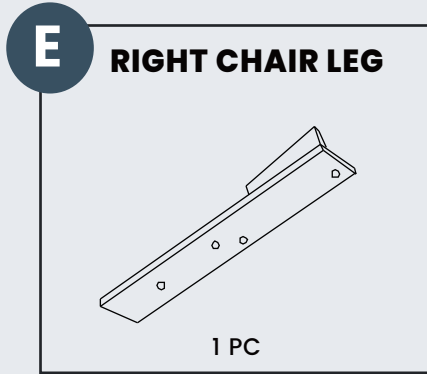
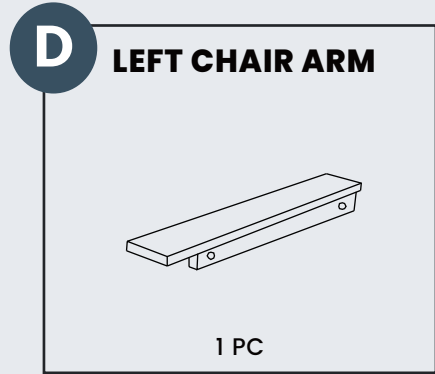
HARDWARE



PARTS

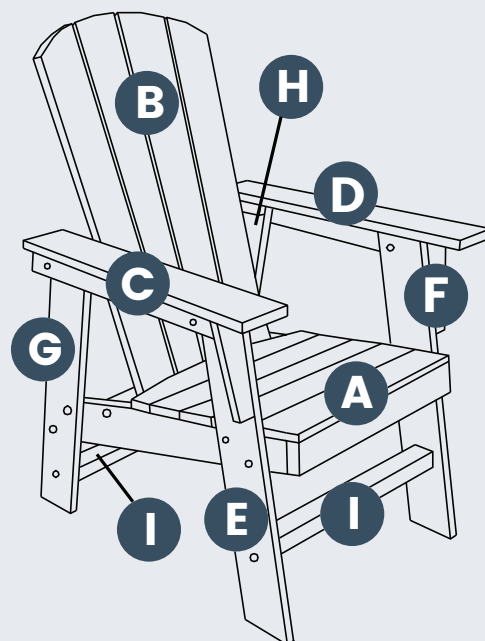


PARTS



PRODUCT ASSEMBLY - OVERALL VIEW

Look at the overall view of this chair and learn the exact position of each part to be assembled.

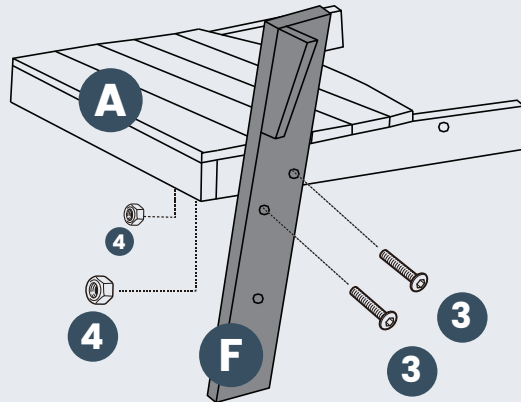


PRODUCT ASSEMBLY

1

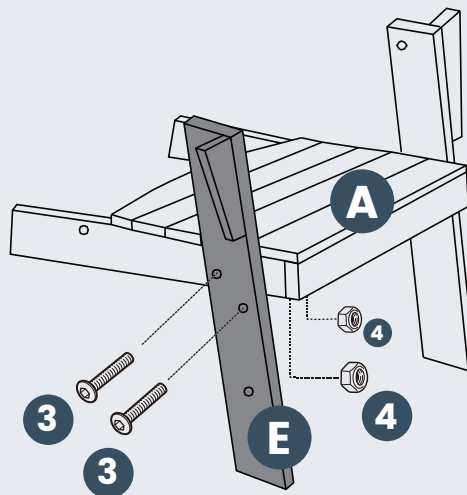
Attach **Part F Left Chair Leg** to **Part A Chair Seat** with 2 sets of **Hardware #3 Bolt** and **Hardware #4 Nut**.

Do not tighten screws and bolts too much at this stage.



2

Attach **Part E Right Chair Leg** to the **Part A Chair Seat** with 2 sets of **Hardware #3 Bolt** and **Hardware #4 Nut**.

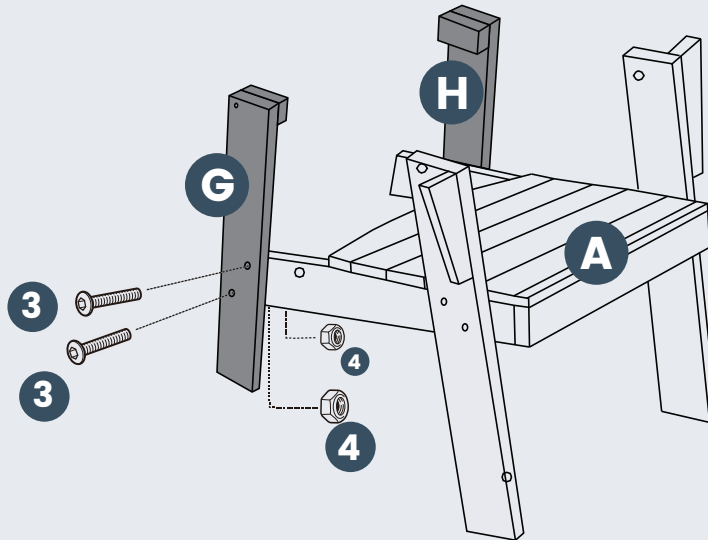


PRODUCT ASSEMBLY

3

Attach **Part G Right Rear Leg** to **Part A Chair Seat** with 2 sets of **Hardware #3 Bolt** and **Hardware #4 Nut**.

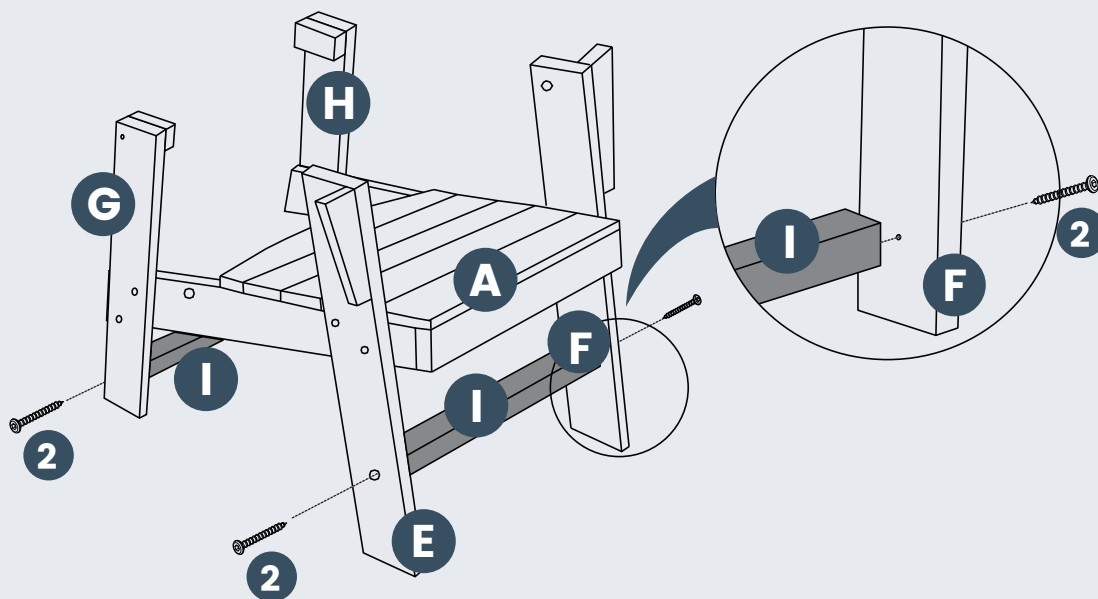
Do the same of **Part H Left Rear Leg** to **Part A Chair Seat**.



4

Attach **Part I Rail** to **Part E** and **Part F Chair Legs** with 2 pcs of **Hardware #2 Screw**.

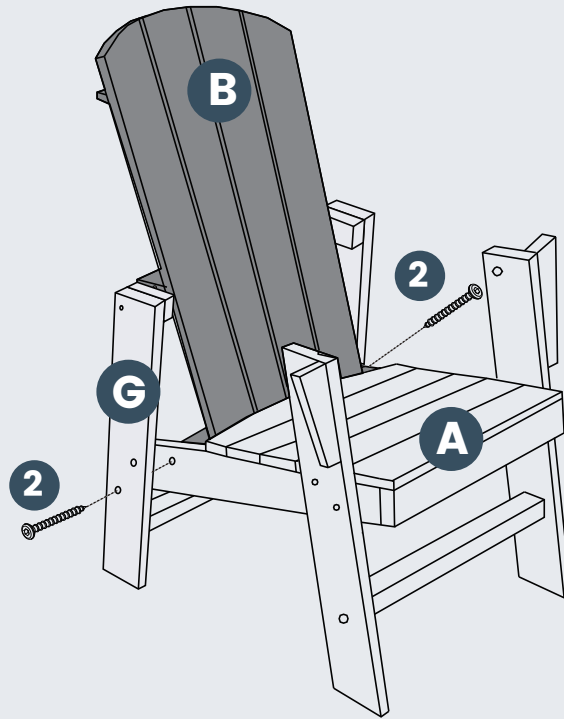
Attach **Part I Rail** to **Part G** and **Part H Rear Legs** with 2 pcs of **Hardware #2 Screw**.



PRODUCT ASSEMBLY

5

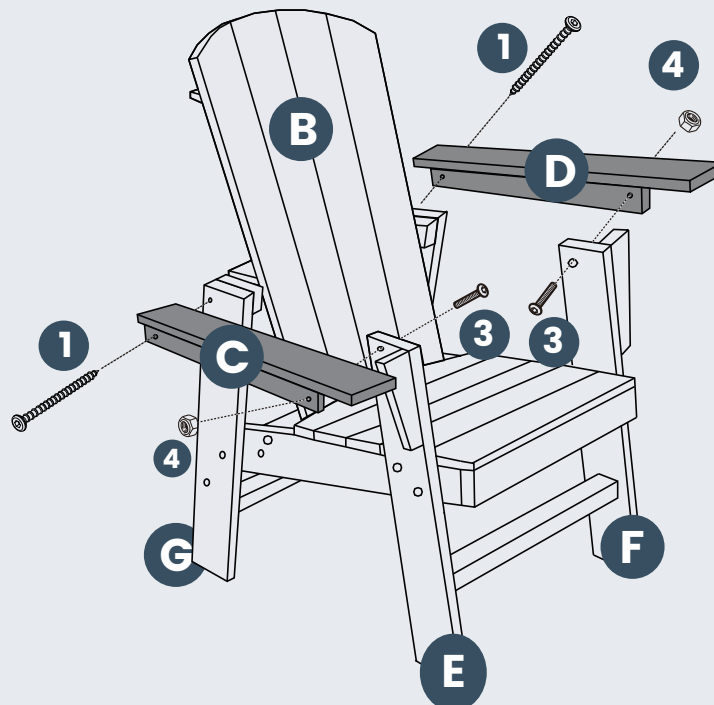
Attach **Part B Chair Backrest** to **Part A Chair Seat** with 2 pcs of **Hardware #2 Screw**.



6

Place **Part C Right Chair Arm** onto **Part E Right Front Leg** and **Part G Right Rear Leg** and fix them with 1 pc of **Hardware #1 Screw**, 1 set of **Hardware #3 Bolt** and **Hardware #4 Nut**.

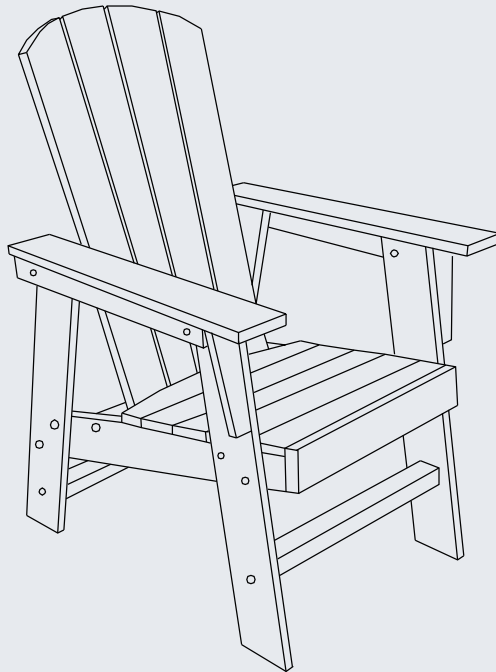
Do the same to attach another **Part D Left Chair Arm** to **Part F** and **H Left legs** with 1 pc of **Hardware #1 Screw**, 1 set of **Hardware #3 Bolt** and **Hardware #4 Nut**.



PRODUCT ASSEMBLY

7

Tighten all the bolts and lock nuts as well as the screws again to ensure the steady of this chair.



CLEANING TIPS

REGULAR CLEAN: Use a mixture of warm water and mild soap. Gently scrub the surface with a soft bristle brush to remove any dirt or stains.

QUICK CLEAN: You can simply wipe down the furniture with a damp cloth.

Regular cleaning not only preserves the aesthetic appeal of your furniture, but also helps extend its lifespan.