



Project Name: _____

Location: _____

Item #: _____

Qty: _____

Adcraft Rice Cooker, 30 Cup, in White

RC-E30GA



Keep up with the demands of rice preparation in your busy commercial kitchen with the Adcraft Rice Cooker. This 30-cup rice cooker is ideal for quickly cooking up to 30 cups of rice evenly and thoroughly. The Keep Warm feature switches from cooking to warming mode once the rice is done to keep it warm for extended periods of time. This heavy-duty, professional quality large-capacity rice cooker is designed to handle the demands of high-volume rice preparation in your commercial kitchen.

Features and Construction

- Quickly cook up to 30 cups of rice evenly and thoroughly
- Keep Warm feature switches from cooking to warming mode once the rice is done to keep it warm for extended periods of time
- Heavy-duty professional quality unit is designed to handle the demands of high-volume rice preparation
- Stainless steel lid helps contain the heat, keeping your rice warm
- Aluminum interior with easy-to-read measurements
- Comes complete with oversized plastic fork and clear plastic measuring cup
- User-friendly controls
- Two handles make this rice cooker easy to transport

Electric

115V ~ 60Hz - 1650W (14.35)A
Cord Length (Inches): 57.90
Plug Type: NEMA 5-15
NEMA 5-20 for the cETLus listed unit
Cord set included

NEMA 5-15P



3rd Party Approvals



Intertek



Intertek

Warranty (USA / Canada)

Protected by Admiral Craft Equipment Corporation's one-year limited warranty
Contact Admiral Craft Equipment for details at 1-877-672-7740



Capacity

- 30 cups (13L)

Included Components

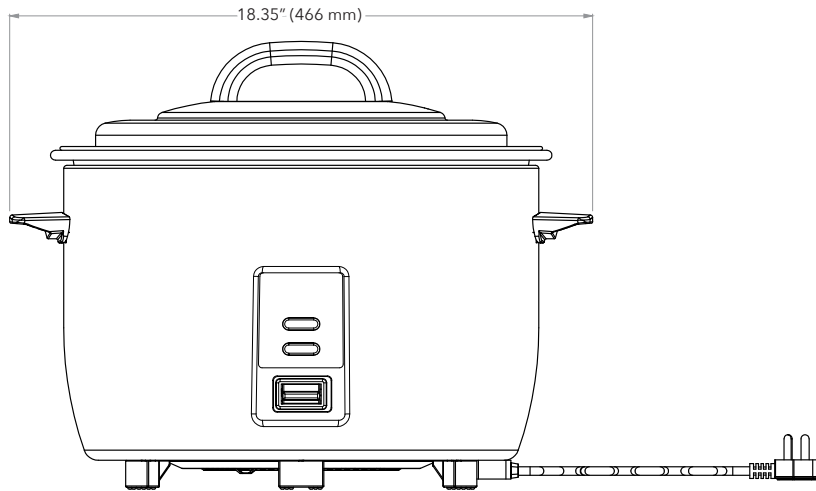
- Measuring cup, spoon, silicone mat



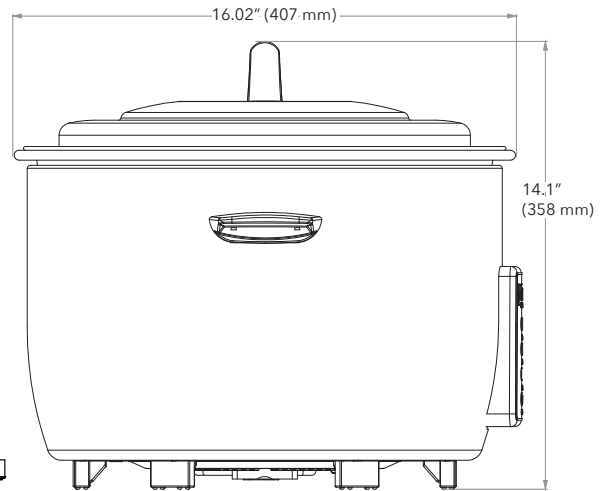
Adcraft Rice Cooker, 30 Cup, in White

RC-E30GA

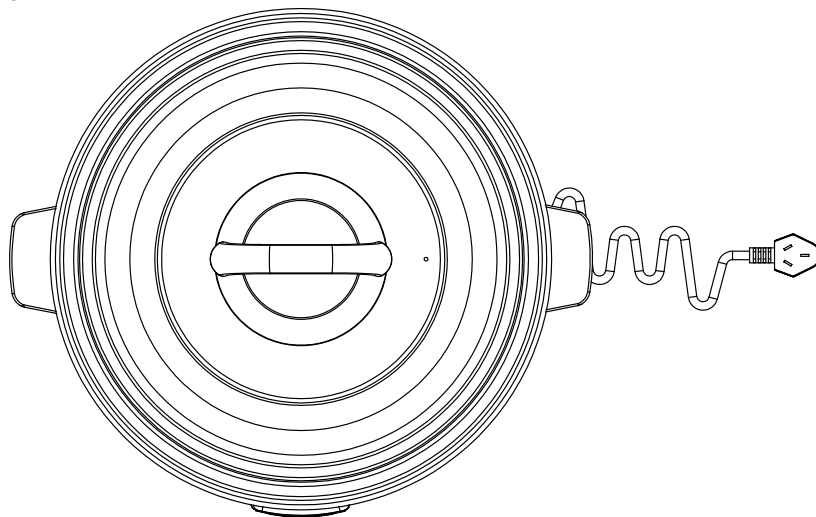
FRONT



SIDE



TOP



Rice Cooker

Control Type	Capacity	Assembled Dimensions L x W x H (in)	Package Dimensions L x W x H (in)	Item Weight (lb)	Shipping Weight (lb)
Manual	30 cups (13L)	16.02" x 18.35" x 14.10"	17.72" x 17.72" x 12.6"	15.0	16.5

Due to periodic changes in designs, methods, procedures, policies and regulations, the specifications contained in this document are subject to change without notice. While we exercise good faith efforts to provide information that is accurate, we are not responsible for errors or omissions in information provided or conclusions reached as a result of using the specifications. By using the information provided, the user assumes all risks in connection with such use.