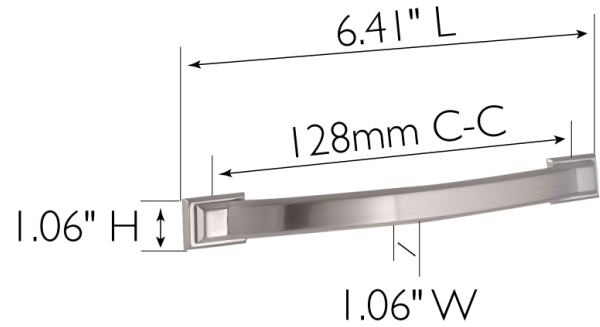
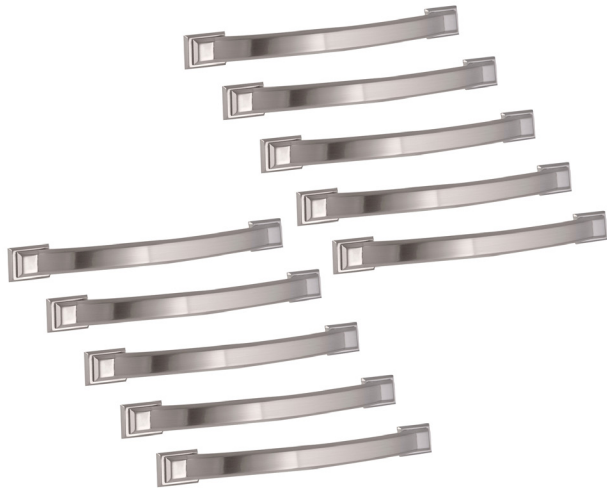


Devan Cabinet Pull, 10 Pack
Satin Nickel



SPECIFICATIONS

MATERIAL CONSTRUCTION:	Zinc
MOUNTING HARDWARE INCLUDED:	Yes
TOOLS NEEDED FOR INSTALLATION:	Screwdriver
ASSEMBLED DIMENSIONS:	1.06" H x 6.41" L
ASSEMBLED WEIGHT:	1.65 lbs.
PROJECTION:	1.06"
MOUNTING HARDWARE SIZE:	1/4" x 1" and 1/4" x 1 3/4"

WARRANTY:	1-Year limited warranty
LEGAL FOR SALE IN CALIFORNIA:	Yes



TYPE: JOB: ORDER CODE: APPROVALS:
--