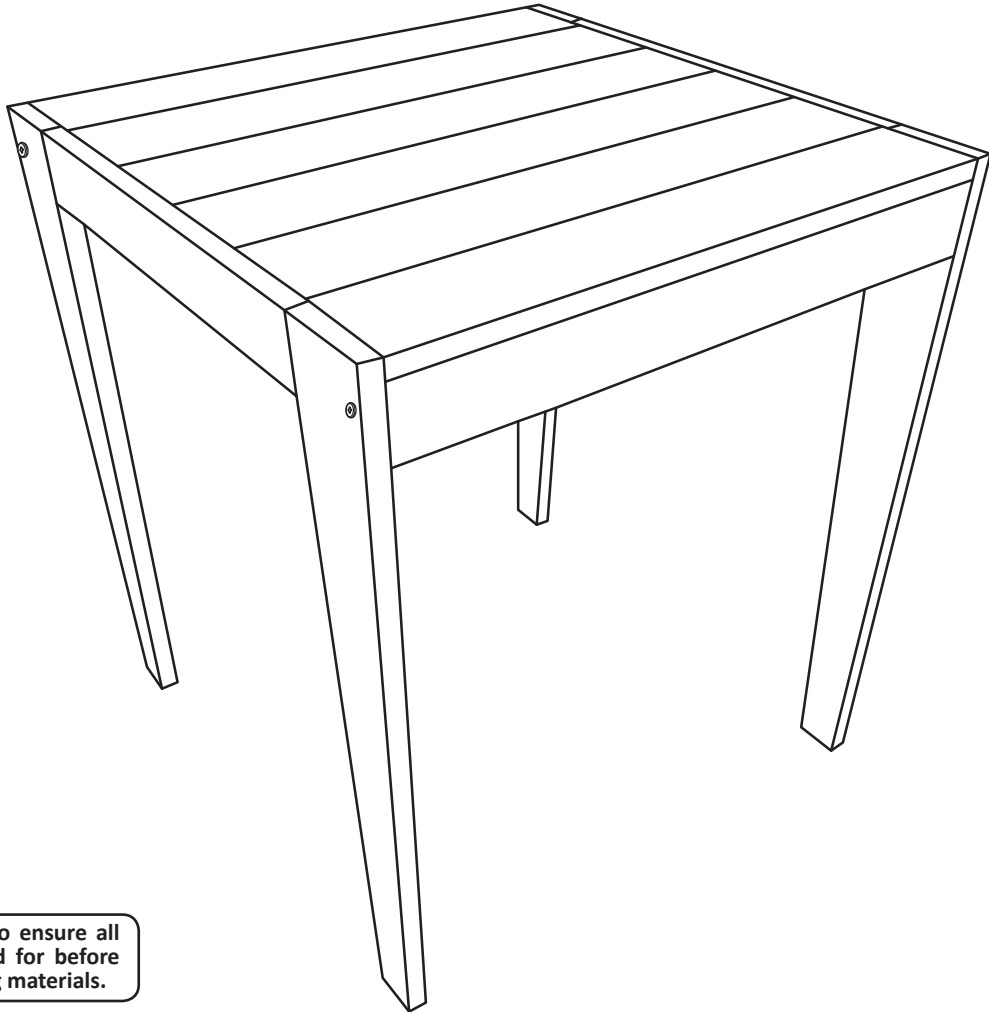
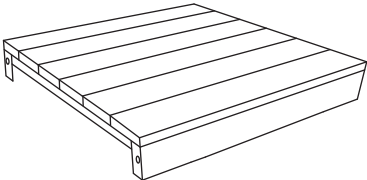
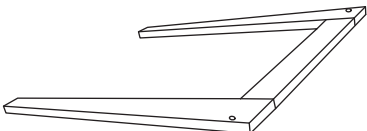



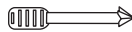
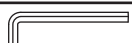
MERANTI WOOD SLATTED TABLE STR-345

Read all assembly and care instructions carefully before using this product. Save this manual for future reference.
Assemble components on a soft, clean surface to avoid scratching or damaging the finish.



Inspect packaging to ensure all parts are accounted for before disposing of packing materials.

No.	PARTS	QTY.
A	 <p>Table Top</p>	1
B	 <p>Leg Panel</p>	2

No.	HARDWARE	QTY.
1	 <p>JCBC M6 x 50mm Bolt with Barrel Nut</p>	4
2	 <p>Barrel Nut Driver</p>	1
3	 <p>Hex Key</p>	1

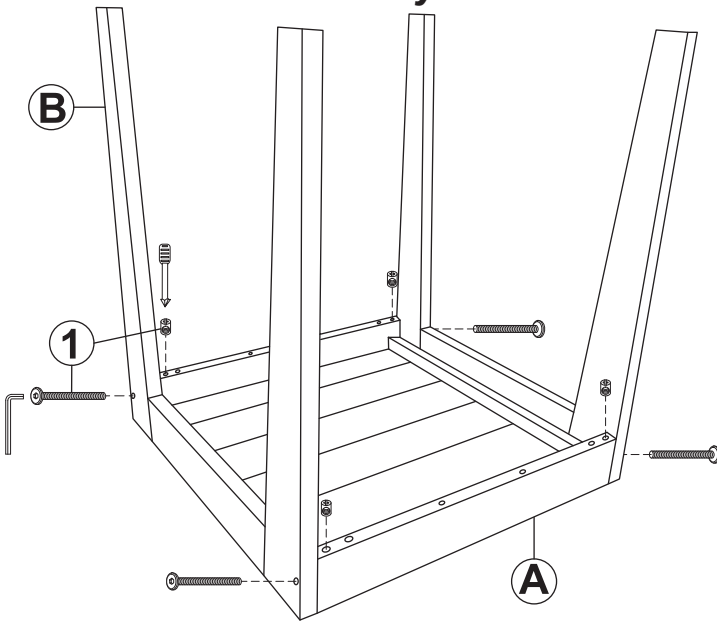
NOTE: Save the hex key to use in the event hardware becomes loose and needs to be tightened.

WARNING

CHOKING HAZARD — This item contains small parts that can be swallowed. Keep children away during assembly.

ASSEMBLY

Read carefully and understand assembly before beginning.



1. Place Tabletop (A) face-down on a clean, soft surface.
2. Insert four Barrel Nut into the table top, as shown. Use the Barrel Nut Driver to align the barrel nut with the hole on the outside of the table top.
3. Align Leg Panel (B) with the table top. Secure by hand-tighten two M6 x 50mm Bolts, ensuring the bolt threads into the barrel nut.
4. Repeat Step 3 to affix the second leg panel.
5. Tighten all hardware using Hex Key (3). Do not over-tighten, as doing so may damage the wood.

General Use & Care

SAFE USE: For residential use only. Only use on a flat, level surface. Do not sit or stand on the table.

MOVING: Always lift furniture when moving it, never drag it.

INSPECT: Periodically check bolts and tighten as necessary.

CLEANING: Identify the direction of the woodgrain. Following the direction of the woodgrain, wipe surfaces with a soft, dry cloth. Do not use harsh chemicals or abrasive materials or a pressure washer to clean.

EXPOSURE: Over time, sunlight and weather elements may degrade and change the color of natural wood. Avoid leaving wooden furniture in the rain or high-humidity climates as wood expands and contracts with moisture and humidity changes. If this item is not used for extended periods, cover it with a breathable cover or store it indoors.

WINTER CARE & STORAGE: Protect this item from inclement weather, especially ice and snow. Move to a cool, dry indoor location. Covering while in storage is recommended to help prevent dust build-up.

MAINTENANCE: Left untreated, the wood will turn a silvery gray color. To maintain the appearance, apply a suitable penetrating Wood, Teak or Linseed Oil (not included) twice a year. Bring furniture indoors and allow it to dry for at least 12 days before applying oil. Only apply oil to wooden surfaces. Use a soft cloth or soft brush and carefully apply oil as directed by the wood oil manufacturer.

WARNING: THE ONE-YEAR WARRANTY DOES NOT COVER DAMAGES OR DEFECTS CAUSED BY THE APPLICATION OF CHEMICAL TREATMENTS OR PROTECTIVE COATINGS.

! SAFETY STATEMENTS & WARNINGS !

- Do not sit, stand, or climb on the table.
- Inspect hardware often and tighten loose hardware.
- Do not put hot items on or near furniture.
- Keep furniture a safe distance from heat sources such as fire pits, patio heaters, and grills.
- Do not allow children to climb on the unit as the unit to tip or break which could lead to serious injury.
- Do not use harsh chemicals or abrasive materials to clean the furniture.

Any modification to the product or failure to follow recommended care will void the product warranty.

! WARNING:

Manufacturer and seller expressly disclaim any and all liability from personal injury, property damage or loss, whether direct or indirect, or incidental, resulting from the incorrect attachment, improper use, inadequate maintenance, or neglect of this product.