



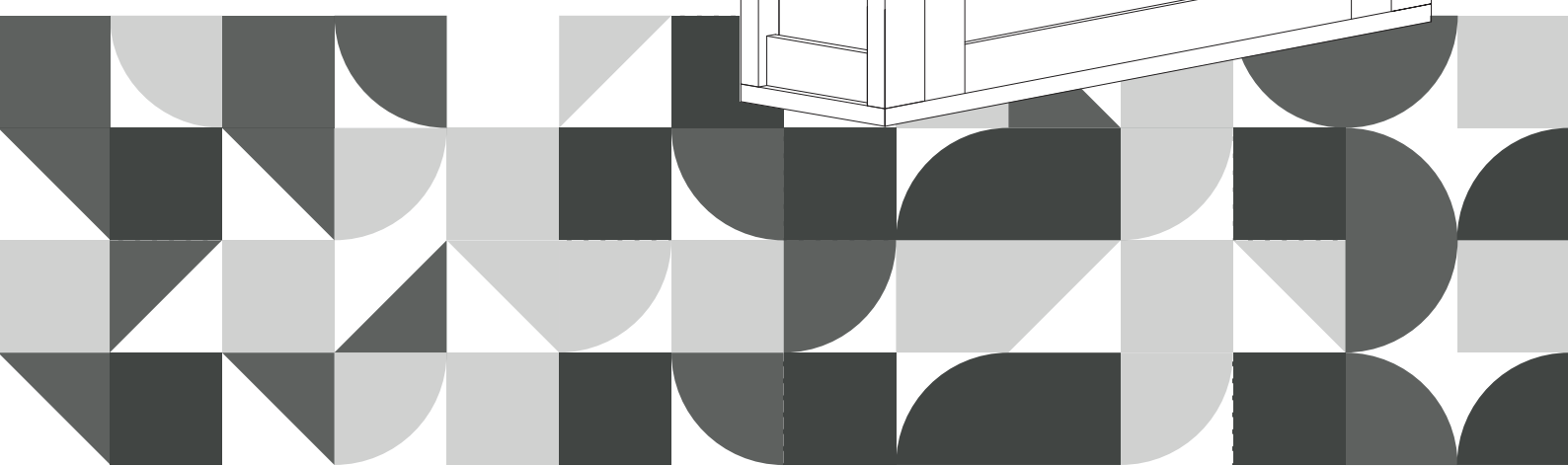
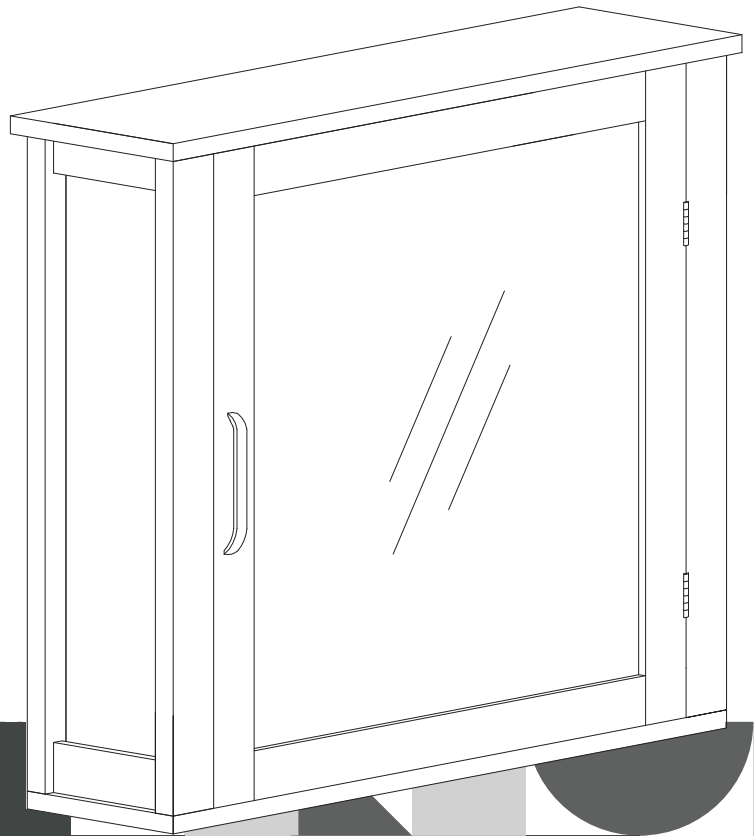
**Extended Warranty
Sign Up**

E-1

Welcome home!

EHF-F0021

**TEAMSON HOME
Mercer Medicine
Cabinet**





**Questions? Comments? Need help?
Call or email us any time!**

Global Customer Service

USA

+1(800)935-3959

Mon - Fri 10:00am ~ 2:00pm EST
✉ support@teamson.com

EU/UK

+44(0)1952-916-050

Mon - Thu 9:00am ~ 5:00pm GMT
Friday 9:00am ~ 4:00pm GMT
✉ support@teamson.co.uk

ASIA

深圳办公室:

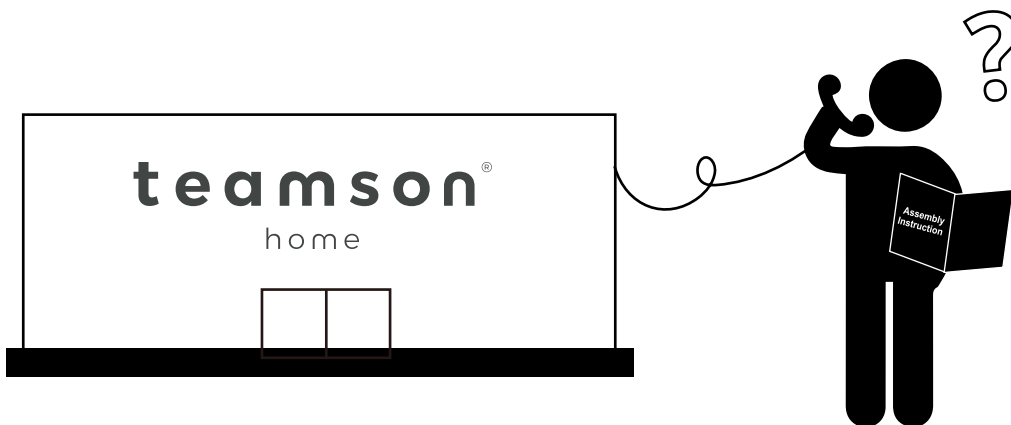
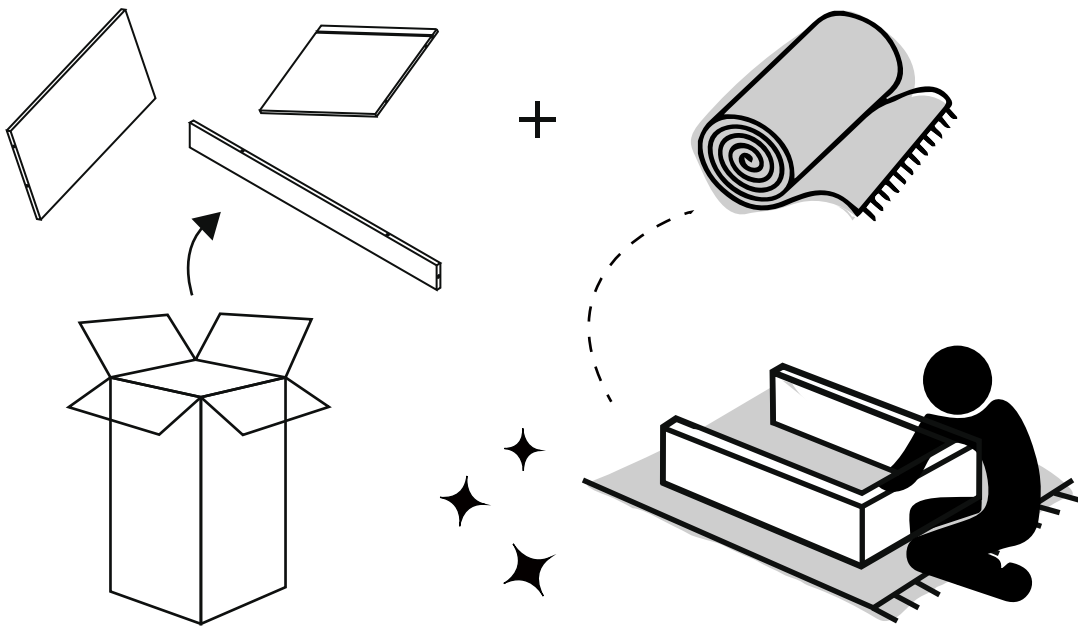
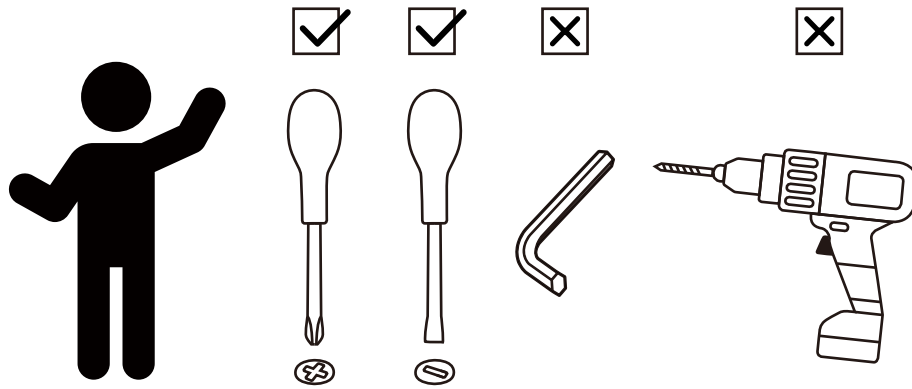
+86(0755)8885-3558.分机号331

Mon - Sat 9:00am ~ 5:00pm GMT+8
✉ sales_ec@teamson.com

台北办公室:

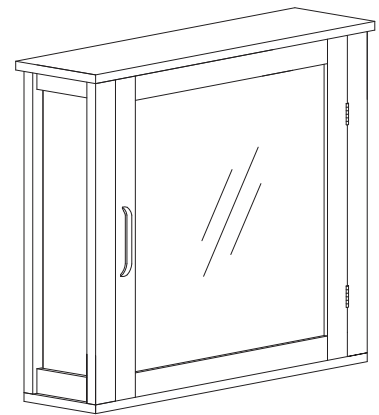
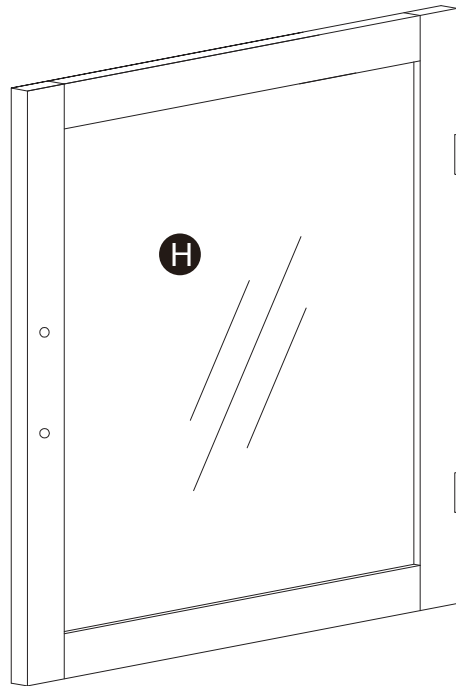
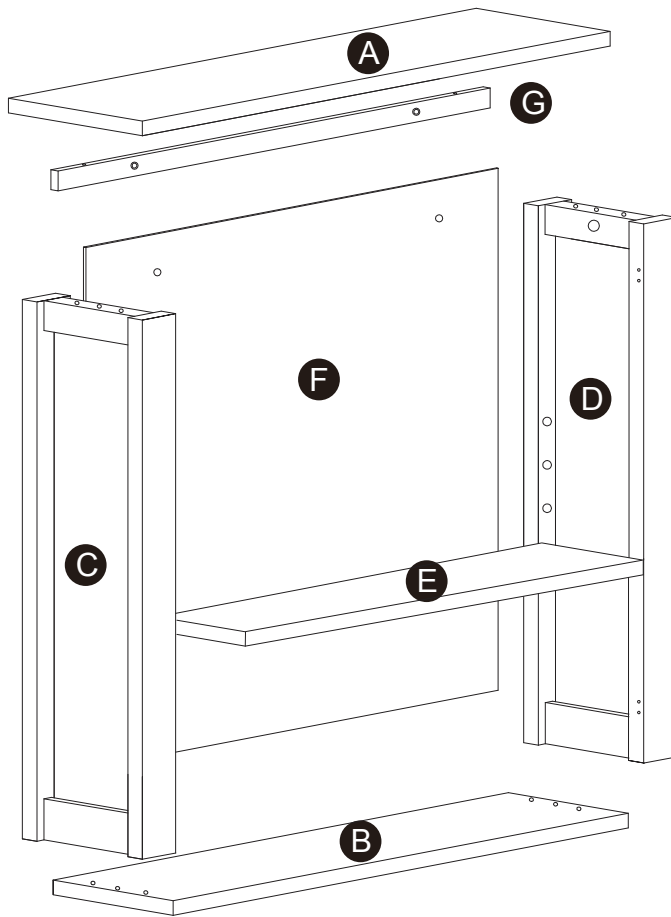
+886(2)2556-6268

Mon - Fri 9:00am ~ 5:00pm GMT+8
✉ sales_ec@teamson.com



** Got questions? Please have your product code (on the first page of this instruction, e.g. TD-12345A) and the order number ready, give us a call or email us through our customer care support! We are always ready to assist you!

Exploded Drawing



Scan for assembly instructions.

Product Parts

A



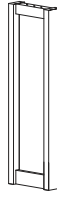
1 PC

B



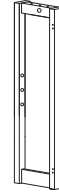
1 PC

C



1 PC

D



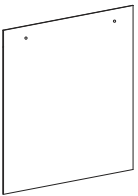
1 PC

E



1 PC

F



1 PC

G



1 PC

H



1 PC

! Care Instructions

Dust surface with a dry soft cloth. Do not use window cleaners or cleaning abrasives as they will scratch the surface and could damage the protective coating

! WARNING

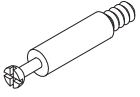
Small parts and sharp edges may be present prior to assembly.



Scan for assembly instructions.

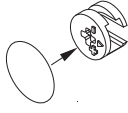
Hardware

1



2 PCS

2



Ø15*9

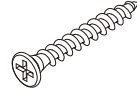
2 PCS

3



4 PCS

4



Ø4*40mm

4 PCS

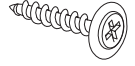
5



Ø3*12mm

4 PCS

6



Ø3*10mm D=7

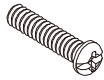
14 PCS

7



1 PC

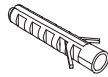
8



5/32"*19mm

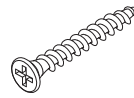
2 PCS

9



2 PCS

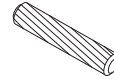
10



Ø4*38mm

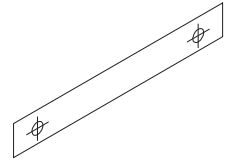
2 PCS

11



Ø6*30mm

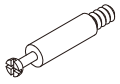
8 PCS



Scan for assembly instructions.

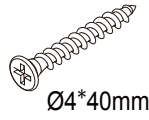
Step 1

1



2 pcs

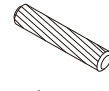
4



Ø4*40mm

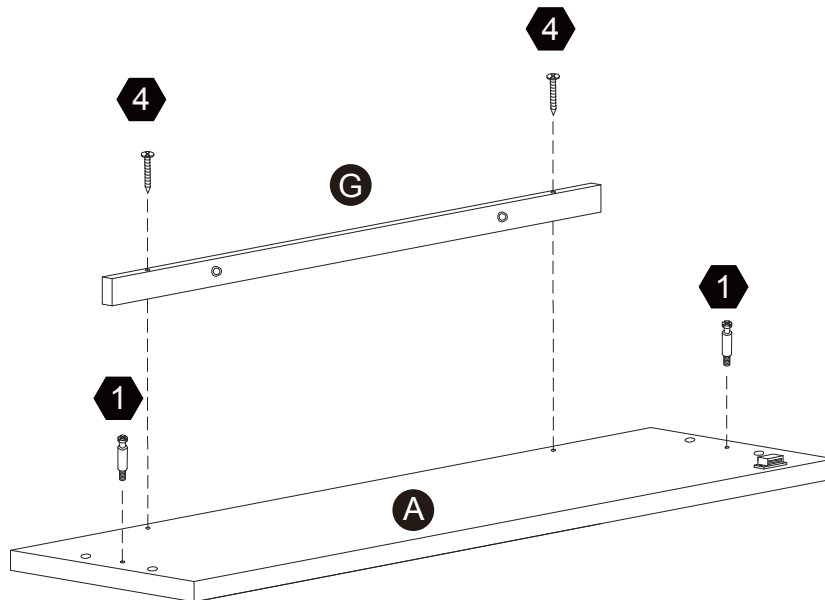
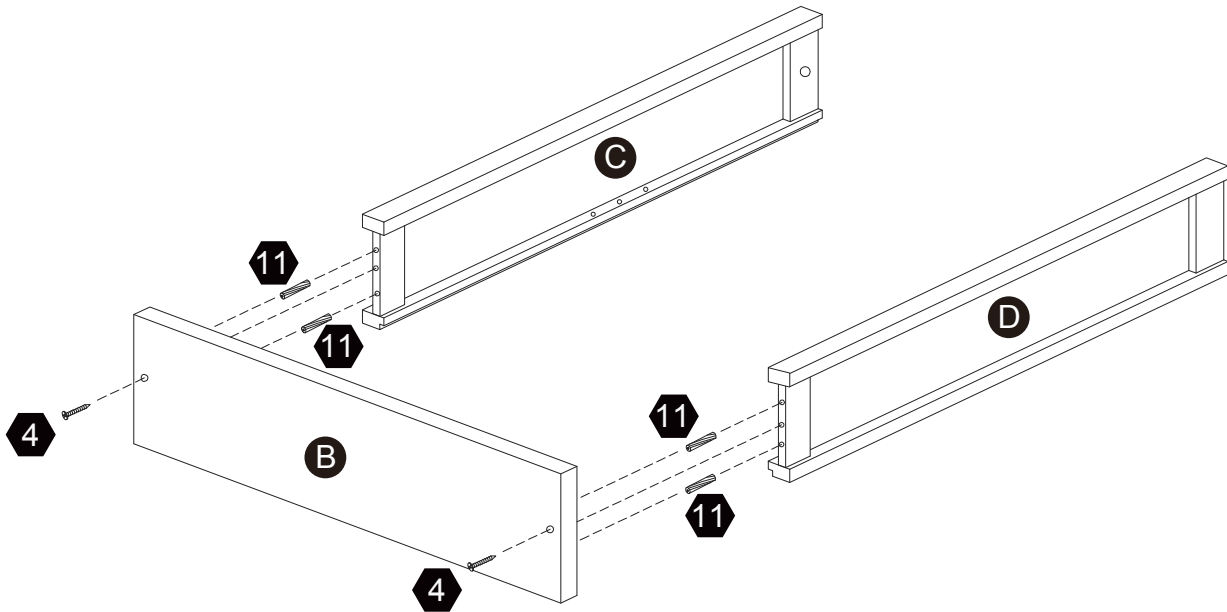
4 pcs

11



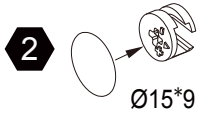
4 pcs

Ø6*30mm

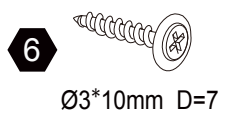


Scan for assembly instructions.

Step 2



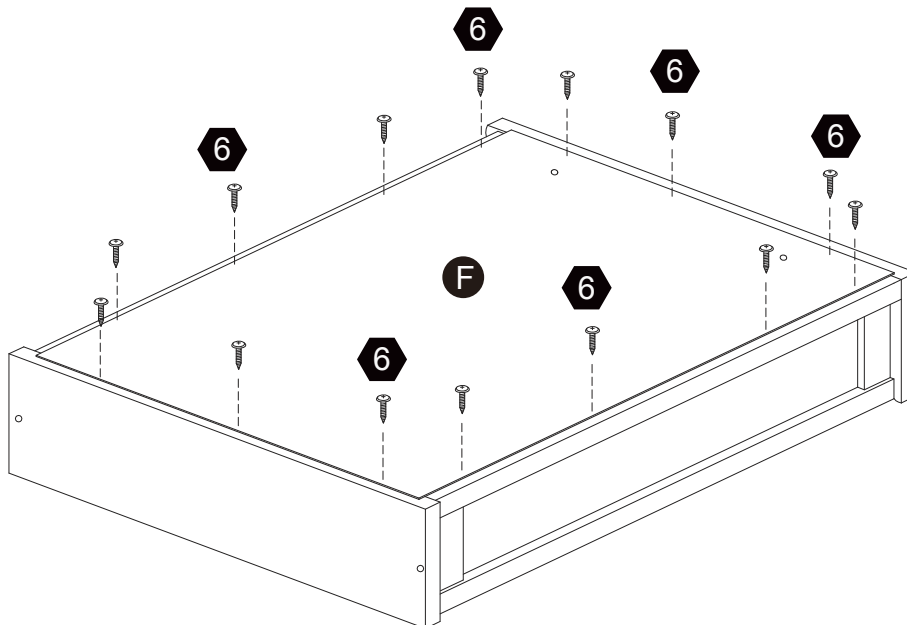
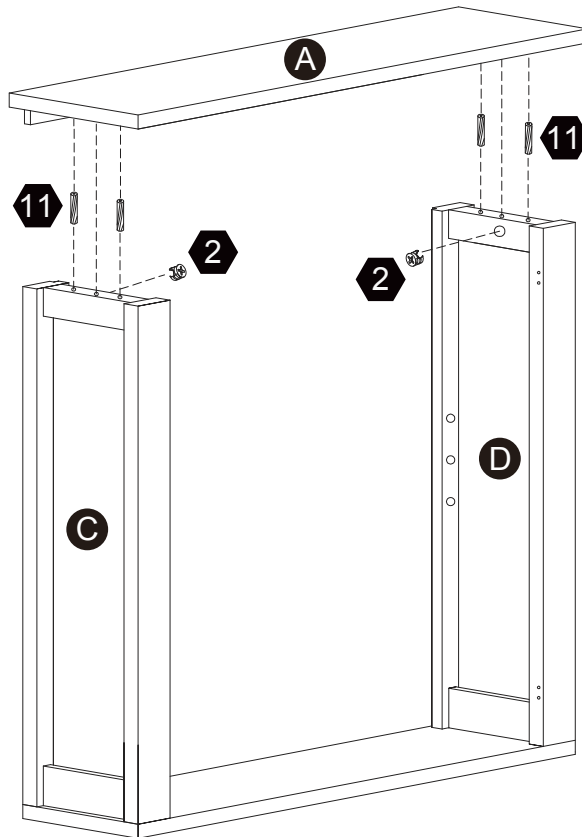
2 pcs



14 pcs



4 pcs



Scan for assembly instructions.

Step 3

3



4 pcs

5



Ø3*12mm

4 pcs

7



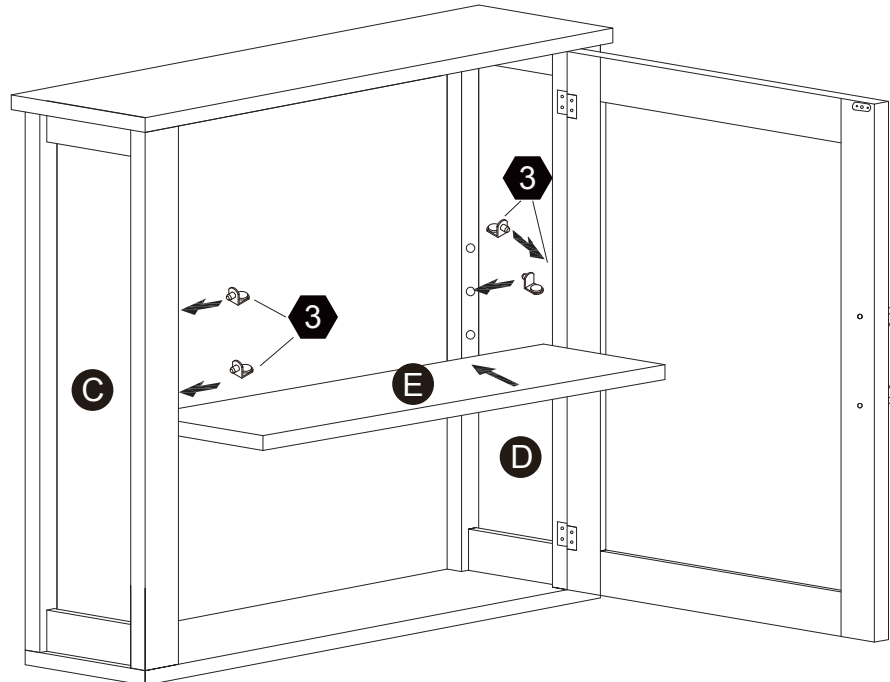
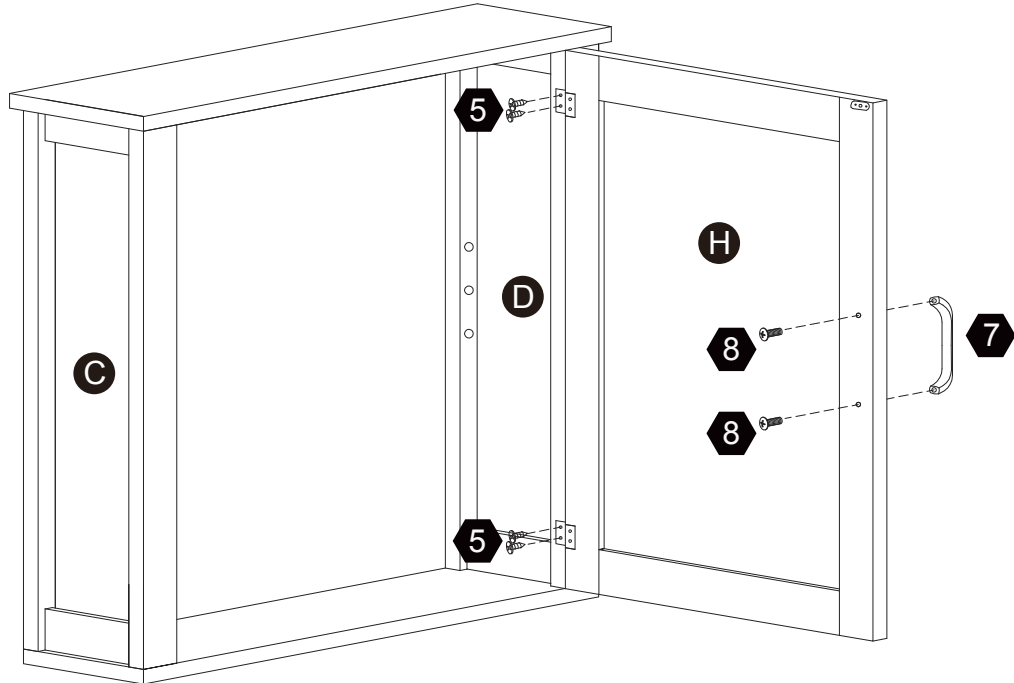
1 pc

8



5/32"*19mm

2 pcs



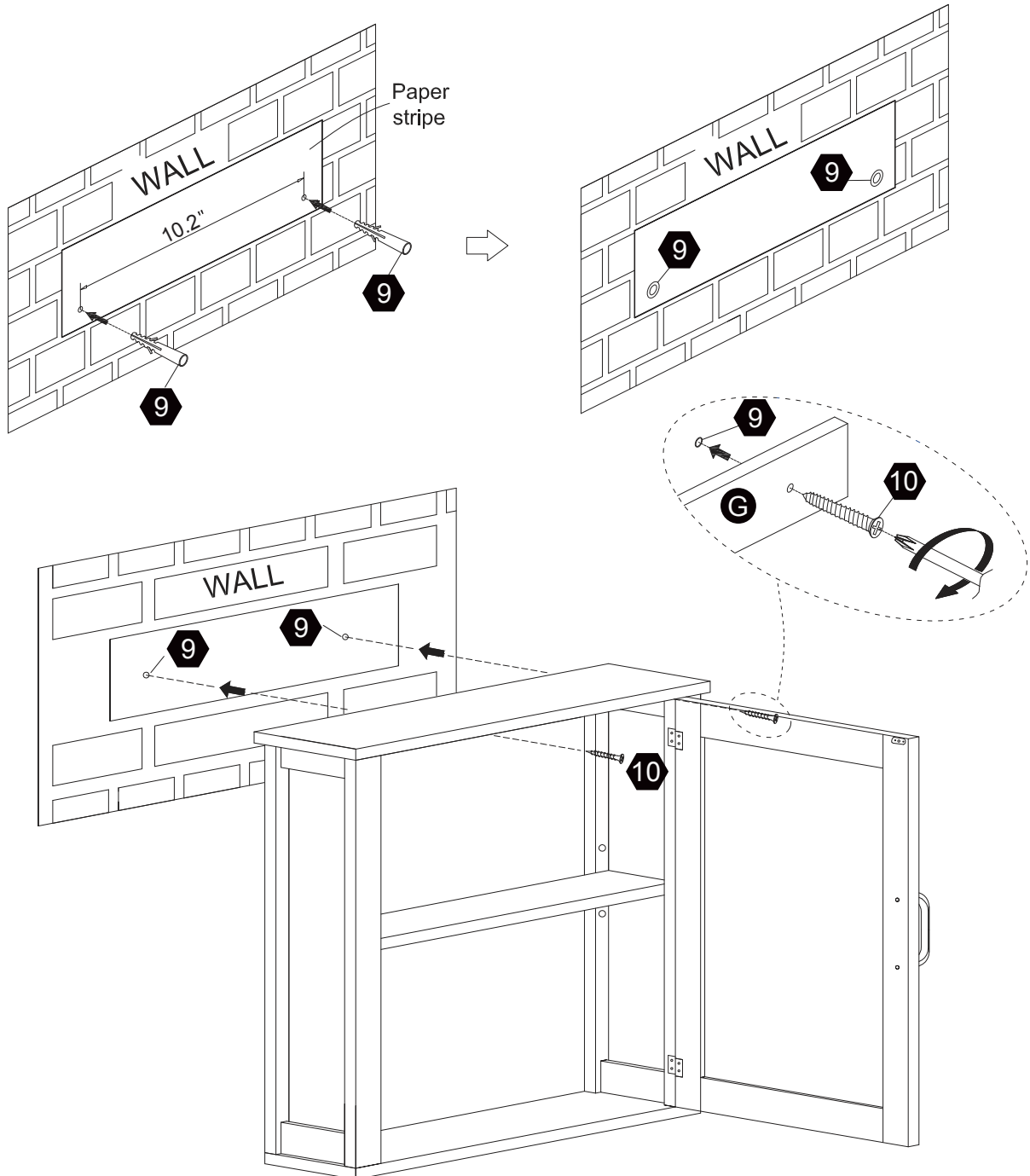
Scan for assembly instructions.

Step 4



Warning:

Serious or fatal injuries can occur from furniture tip-over. To help prevent furniture tip-over: Use provided mounting hardware to secure furniture to the wall. This may reduce but not eliminate the risk of furniture tip-over. Do not allow children to climb on furniture.



Scan for assembly instructions.

Total Max Load 19.8 Lbs(9kg)
9.9 Lbs(4.5kg) per shelf

