

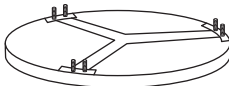
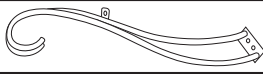
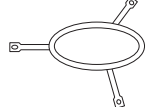
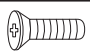


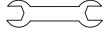
SIDE TABLE

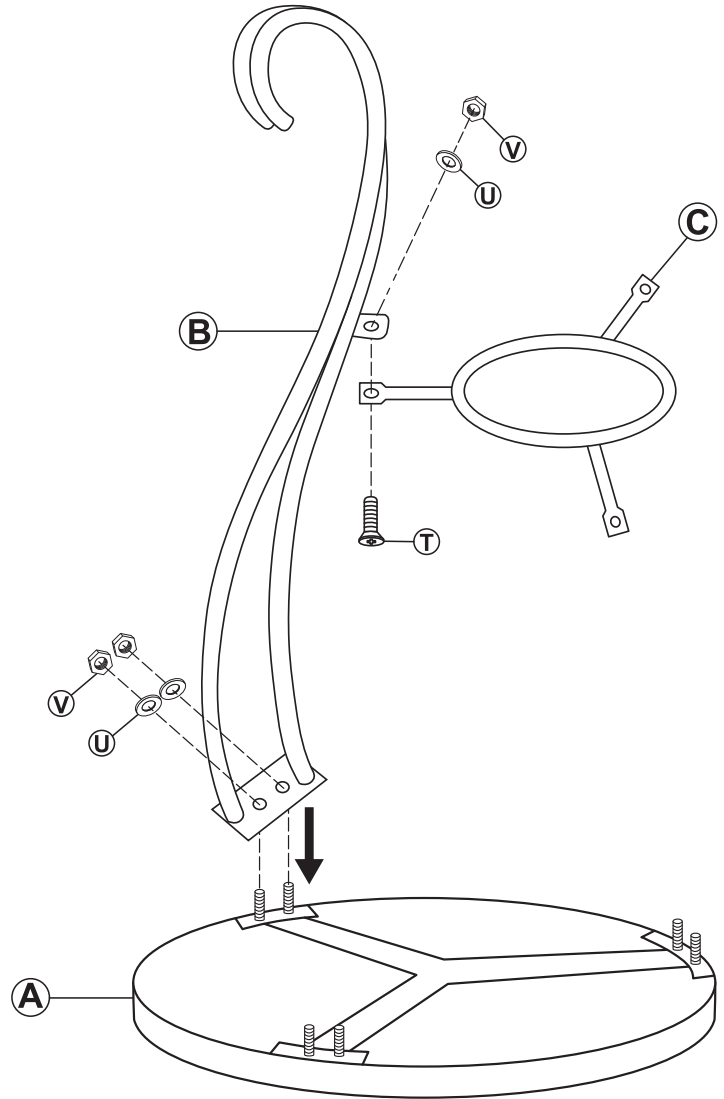
Read this manual carefully before use and save it for future reference.

Assemble components on a soft, clean surface to avoid scratching or damaging the finish.



Inspect packaging to ensure all parts are accounted for before disposing of packing materials.

No.	PARTS	QTY.
A	 Tabletop	1
B	 Leg	3
C	 Leg Support	1
T	 M5 x 15mm Bolt	3
U	 Washer	9
V	 Nut	9
Y	 Spanner	1



⚠ WARNING ⚠

CHOKING HAZARD — This item contains small parts that can be swallowed by children. Keep children away during assembly.

ASSEMBLY

⚠ DO NOT FULLY TIGHTEN HARDWARE UNTIL ALL COMPONENTS HAVE BEEN FASTENED TOGETHER.

1. Place Leg (B) on the underside of Tabletop (A) and secure by hand-tightening 2x Washer (U) and 2x Nut (V). Repeat this step until all legs are loosely fastened to the table top.
2. Attach Leg Support (C) to the legs with 3x Bolt (T), 3x Washer (U) and 3x Nut (V), as shown.
3. Tighten all hardware using Spanner (Y).

⚠ IMPORTANT INFORMATION ⚠

Cleaning: Wipe all surfaces with a soft, damp cloth. Do not use chemicals or abrasive materials to clean the table top or frame.

Winter Care & Storage: Move to a cool, dry location to preserve the appearance of the tabletop and to protect the frame from rusting. Covering furniture while in storage is recommended to help prevent dust build-up.

Any modification of the product or failure to follow the recommended care will void the product warranty.